

TRAY DELIVERY CART - ENCLOSED

Accommodates 13" x 20" Perfect•Temp Trays, Architectural Plastics Room Service Style Trays and Dinex Room Service Tray DX1089RS03



Application

The Tray Delivery Cart is designed for transporting meals or tray retrieval. The all stainless steel cart features fixed tray slides w/5-1/4" spacing and accommodates 2 trays/slide. This cart will accommodate 13"x 21" Perfect•Temp trays and the DX1089RS03 Room Service Tray as well as the Architectural Plastics BA5B room service tray.

Construction

Dinex® Tray Delivery Carts are fabricated with 1" square tubing frame with welded 18-gauge pre-formed side panels/tray slides. The top, bottom and single panel door shall be 18-gauge, stainless steel. Door has recessed door pull with a top mounted heavy duty drop latch. The door has a 270° door swing with magnets to keep the door in an opened position.

Casters: Four 5" diameter plate-type, 2 fixed, 2 swivel with brakes.

Item Numbers

- DXPSC16
- DXPSC20
- DXPSC24

Pass-Thru Model

- DXPSCPT16
- DXPSCPT20
- DXPSCPT24

Standard Features

- All stainless steel
- Pull type door handle
- Drop latch with magnets
- Small footprint
- Plate-type 5" casters, 2 with brakes

Options

- Wrap around bumper
- Corner bumpers
- Push handle

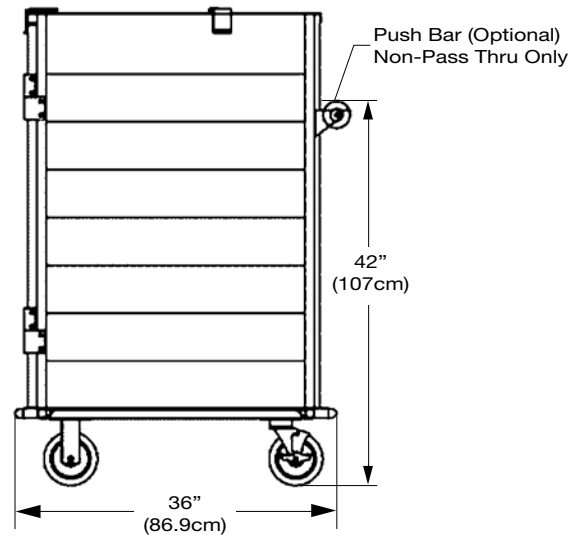
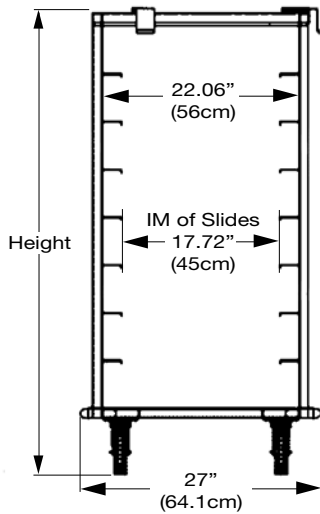
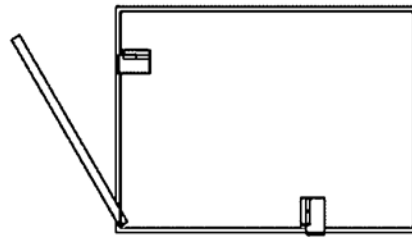
Warranty

One year parts and labor.

DINEX®

Building 2, Suite 106
628 Hebron Avenue
Glastonbury, CT 06033
800.523.9752 Fax: 860.652.3135
www.dinex.com

TRAY DELIVERY CART - ENCLOSED



Items and Dimensions

ITEM NUMBER	MODEL NUMBER	LENGTH	DEPTH	HEIGHT	SHIP WEIGHT	SHIP CUBE	TRAY SPACING	TRAY CAPACITY
DXPSC16 DXPSCPT16	PSC/16 PSCPT/16	27" (68.6cm)	36" (91.4cm)	52.88" (134.3cm)	275 lb. (124.7kg) 285 lb. (129.4kg)	32.5	5.25"	16
DXPSC20 DXPSCPT20	PSC/20 PSCPT/20	27" (68.6cm)	36" (91.4cm)	63.56" (161.4cm)	275 lb. (124.7kg) 305 lb. (138.5kg)	38.5	5.25"	20
DXPSC24 DXPSCPT24	PSC/24 PSCPT/24	27" (68.6cm)	36" (91.4cm)	74.25" (188.6cm)	315 lb. (143.0kg) 325 lb. (147.6kg)	44.5	5.25"	24



Please confirm that you have the most current specification sheet by visiting www.dinex.com.
Dinex® reserves the right to change specifications and product design without notice.
Such revisions do not entitle the buyer to corresponding changes, improvements, additions or replacements for previously purchased equipment.



Building 2, Suite 106
628 Hebron Avenue
Glastonbury, CT 06033
800.523.9752 Fax: 860.652.3135
www.dinex.com