

TQ QUIET CARTS SINGLE DOOR TRAY DELIVERY CARTS WITH ONE TRAY PER SLIDE



DXTQ1T1D6

Item Numbers

- DXTQ1T1D6
- DXTQ1T1D8

Application

These carts are the latest design in a brand new series of carts called TQ Quiet Carts. Here we offer you a cart that has a notable sound dampening construction where quiet is a needed commodity.

This equipment is intended for "Industrial Use Only".

Construction

TQ Quiet Carts single door tray delivery cart with an all stainless steel modular construction and is NSF Listed. The cart has (standard) 5-1/4" tray height spacing (additional tray spacings are available - consult factory for availability) with 1 tray per shelf for a total of a 6 and or 8 capacity for the cart. Comes with heat release vented side panels and standard corner bumpers. The cart has gravity locking doors with noise suppression door bumpers and gravity locking (open) door with door stop for noise reduction. The cart comes with an interchangeable rack system with adjustable sizing to accommodate for different tray sizes. The racks also have noise reduction gravity locking brackets with a press lever release mechanism. The side panels of the cart have a noise reduction channel to prevent vibration while the cart is in motion. The cart comes with 6" Performa casters with noise suppression bearing covers, high temperature wash resistant noise dampening bearing grease, and caster isolation pads (2 rigid, 2 swivel with Tech lock brakes).

Standard Features

- 6" Performa casters with noise suppression bearing covers (2 rigid, 2 swivel with Tech lock brakes)
- Corner Bumpers
- Vertical Push Handles
- Gravity Locking Doors with Door Stop
- Full Length Door Handles
- 5-1/4" tray height spacing

Compatible Tray Sizes

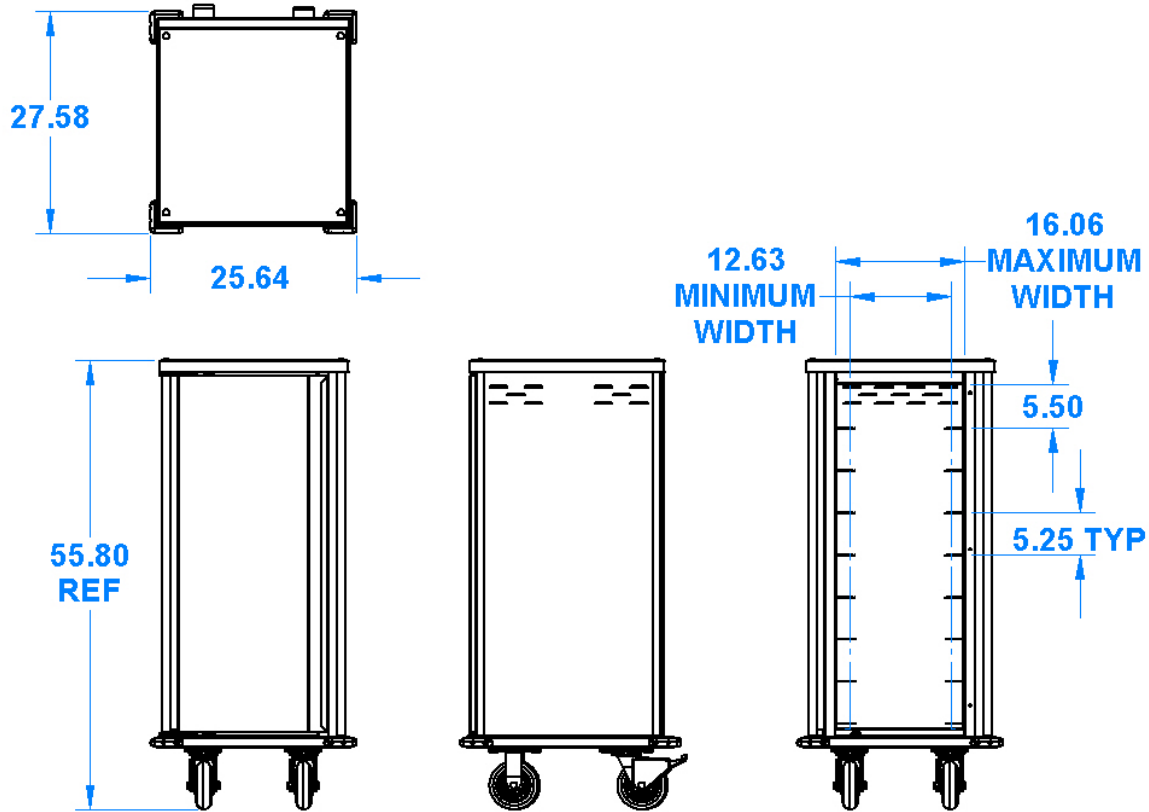
- 14"x18"
- 15"x20"
- 12"x19"
- 12"x20"
- 13"x21"
- 1089RS03
- 1089RS152003

Warranty

One years parts and labor.

TQ QUIET CARTS

SINGLE DOOR TRAY DELIVERY CARTS WITH ONE TRAY PER SLIDE



Items and Dimensions

ITEM NUMBER	MODEL NUMBER	LENGTH	DEPTH	HEIGHT	CASTERS		SHIP WEIGHT	SHIP CUBE	TRAY CAPACITY
					TYPE	DIAMETER			
DXTQ1T1D6	TQ1T1D6	25.64" (65.1256 cm)	27.58" (70.0532 cm)	55.80" (141.732 cm)	2 rigid, 2 swivel w/Tech lock brakes	6" (15.24 cm)	254 lb (115.212 kg)	50.41	6
DXTQ1T1D8	TQ1T1D8	25.64" (65.1256 cm)	27.58" (70.0532 cm)	55.80" (141.732 cm)	2 rigid, 2 swivel w/Tech lock brakes	6" (15.24 cm)	254 lb (115.212 kg)	50.41	8

ALL CARTS ARE DESIGNED FOR THE FOLLOWING TRAY SIZES:
14"x18", 15"x20", 12"x19", 12"x20", 13"x21", 1089RS03, & 1089RS152003

Standard Options Available

- 8" PERFORMA QUIET CASTERS
- 3 & 4 SIDED TOP RAILS
- FLOOR DRAIN
- WRAP AROUND BUMPERS
- WALL SAVER BUMPERS
- TOW HITCH

Contact your Sales Representative for more information on the available standard options