

TQ QUIET CARTS SINGLE DOOR TRAY DELIVERY CARTS WITH TWO TRAYS PER SLIDE



DXTQ2T1D20

Item Numbers

- DXTQ2T1D10*
- DXTQ2T1D12*
- DXTQ2T1D14*
- DXTQ2T1D16*
- DXTQ2T1D18*
- DXTQ2T1D20*

* Pass-Thru option available for all models

Application

These carts are the latest design in a brand new series of carts called TQ Quiet Carts. Here we offer you a cart that has a notable sound dampening construction where quiet is a needed commodity.

This equipment is intended for "Industrial Use Only".

Construction

TQ Quiet Cart single door tray delivery cart with an all stainless steel modular construction and is NSF Listed. The cart has (standard) 5-1/4" tray height spacing (additional tray spacings are available - consult factory for availability) with 2 trays per shelf for a total of a 10, 12, 14, 16, 18 and or 20 capacity for the cart. Comes with heat release vented side panels and standard corner bumpers. The cart has gravity locking doors with noise suppression door bumpers and gravity locking (open) door with door stop for noise reduction. The cart comes with an interchangeable rack system with adjustable sizing to accommodate for different tray sizes. The racks also have noise reduction gravity locking brackets with a press lever release mechanism. The side panels of the cart have a noise reduction channel to prevent vibration while the cart is in motion. The cart comes with 6" Performa casters with noise suppression bearing covers, high temperature wash resistant noise dampening bearing grease, and caster isolation pads (2 rigid, 2 swivel with Tech lock brakes).

Standard Features

- 6" Performa casters with noise suppression bearing covers (2 rigid, 2 swivel with Tech lock brakes)
- Corner Bumpers
- Vertical Push Handles
- Gravity Locking Doors with Door Stop
- Full Length Door Handles
- 5-1/4" tray height spacing

Compatible Tray Sizes

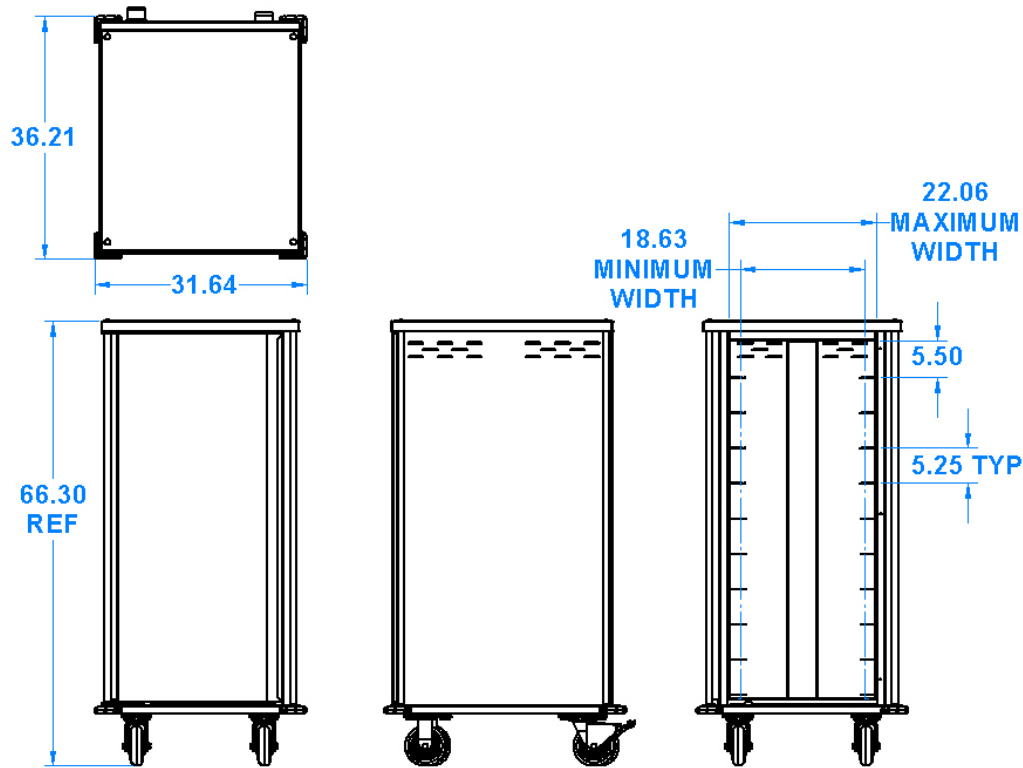
- 14"x18"
- 15"x20"
- 12"x19"
- 12"x20"
- 13"x21"
- 1089RS03
- 1089RS152003

Warranty

One years parts and labor.

TQ QUIET CARTS

SINGLE DOOR TRAY DELIVERY CARTS WITH TWO TRAYS PER SLIDE



Items and Dimensions

ITEM NUMBER	MODEL NUMBER	LENGTH	DEPTH	HEIGHT	CASTERS		SHIP WEIGHT	SHIP CUBE	TRAY CAPACITY
					TYPE	DIAMETER			
DXTQ2T1D10	TQ2T1D10	31.64" (80.3656 cm)	36.21" (91.9734 cm)	50.55" (128.397 cm)	2 rigid, 2 swivel w/Tech lock brakes	6" (15.24 cm)	308 lb (139.706 kg)	61.26	10
DXTQ2T1D12	TQ2T1D12	31.64" (80.3656 cm)	36.21" (91.9734 cm)	50.55" (128.397 cm)	2 rigid, 2 swivel w/Tech lock brakes	6" (15.24 cm)	308 lb (139.706 kg)	61.26	12
DXTQ2T1D14	TQ2T1D14	31.64" (80.3656 cm)	36.21" (91.9734 cm)	50.55" (128.397 cm)	2 rigid, 2 swivel w/Tech lock brakes	6" (15.24 cm)	308 lb (139.706 kg)	61.26	14
DXTQ2T1D16	TQ2T1D16	31.64" (80.3656 cm)	36.21" (91.9734 cm)	66.30" (168.402 cm)	2 rigid, 2 swivel w/Tech lock brakes	6" (15.24 cm)	350 lb (158.757 kg)	76.52	16
DXTQ2T1D18	TQ2T1D18	31.64" (80.3656 cm)	36.21" (91.9734 cm)	66.30" (168.402 cm)	2 rigid, 2 swivel w/Tech lock brakes	6" (15.24 cm)	350 lb (158.757 kg)	76.52	18
DXTQ2T1D20	TQ2T1D20	31.64" (80.3656 cm)	36.21" (91.9734 cm)	66.30" (168.402 cm)	2 rigid, 2 swivel w/Tech lock brakes	6" (15.24 cm)	350 lb (158.757 kg)	76.52	20

ALL CARTS ARE DESIGNED FOR THE FOLLOWING TRAY SIZES:
14"x18", 15"x20", 12"x19", 12"x20", 13"x21", 1089RS03, & 1089RS152003

Standard Options Available

- 8" PERFORMA QUIET CASTERS
- 3 & 4 SIDED TOP RAILS
- FLOOR DRAIN
- WRAP AROUND BUMPERS
- WALL SAVER BUMPERS
- TOW HITCH

Contact your Sales Representative for more information on the available standard options.