

TRAY DELIVERY CARTS (Two Doors, One Tray per Slide)



Shown with optional 6 wheel configuration



Item Numbers

- DXTSA1T2D14
- DXTSA1T2D16
- DXTS1T2D18
- DXTS1T2D20

Application

Tray Delivery Carts for wax base or induction systems. These narrow design carts are compatible with all Dinex® products for 15" x 20", 14" x 18", 12" x 19", 12" x 20", 12" x 22" and 16" x 22" trays. These models accommodates one tray per slide.

Construction

Carts are constructed with 304 No. 3 finish stainless steel, all welds are ground and polished. Meal delivery carts heavy duty stainless steel construction as follows:

Top	20 gauge, 304 No. 4 Finish
End/Back Panels	20 gauge, 304 No. 4 Finish
Base	20 gauge, 304 No. 4 Finish
Door Front	22 gauge, 304 No. 4 Finish
Door Back	22 gauge, 304 No. 4 Finish

Top and base are welded to body of the unit for added strength. All exterior welds are ground and polished. Chassis has 14 gauge stainless steel caster channels.

The 1.125" thick, non-marking, polyethylene heavy-duty wrap around bumpers are mounted at full perimeter of the base. Four vertical push handles are mounted on each corner for optimal ergonomic position when pushing the cart. Vents on three sides are standard.

Cam Action Style Door

The door on all models are double-walled and insulated. The free floating door has a full 270° door swing. Closure is by gravity lock device, which retains the door in both the 270° open position as well as the 0° closed position.

Adjustable Tray Slides

Stainless steel tray slides, 20-gauge, are positioned at specified vertical spacing and removable for cleaning. Slides are field adjustable to accommodate 15" x 20", 14" x 18", 12" x 19", 12" x 20", 16" x 22" and 12" x 22" trays.

Casters

Four 6" Colson Performa casters, 2 swivel w/brakes and 2 fixed all with precision sealed ball bearings come standard. Casters are plate mounted and bolted to the base.

Standard Features

- 6" Colson Performa Caster w/Precision sealed ball bearing
- 2-Locking casters
- Vertical push handles
- Full length door handle
- Pre-drilled holes for additional caster options
- Adjustable tray slides

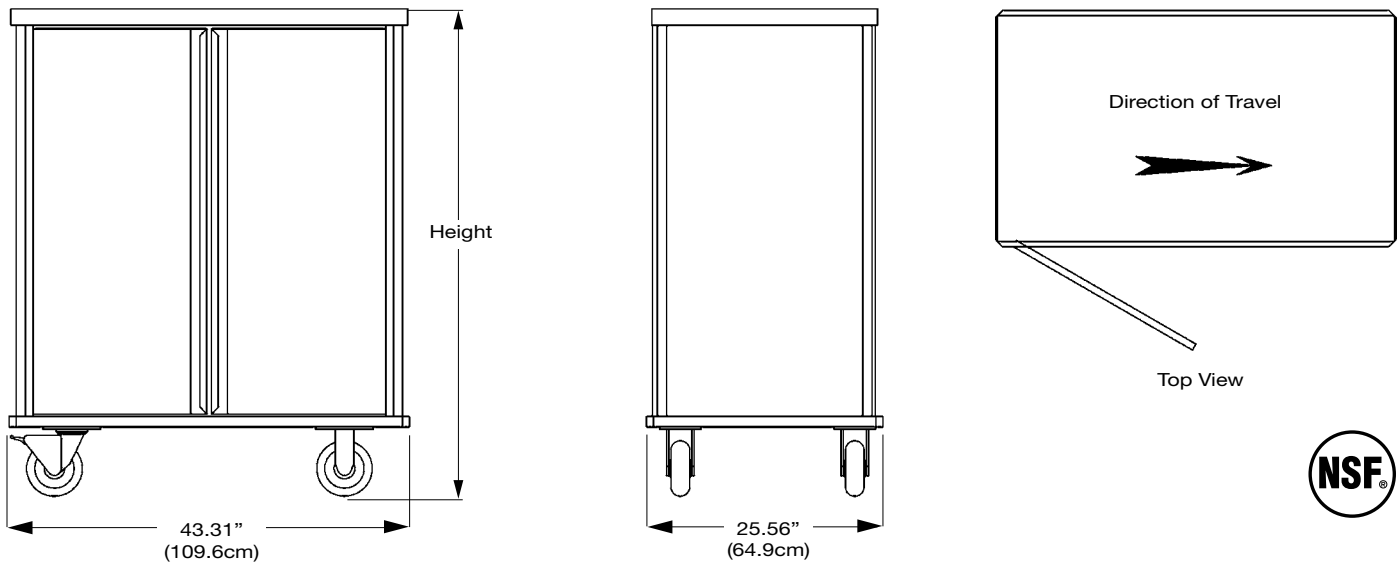
Warranty

One year parts and labor.

DINEX®

Building 2, Suite 106
628 Hebron Avenue
Glastonbury, CT 06033
800.523.9752 Fax: 860.652.3135
www.dinex.com

TRAY DELIVERY CARTS (Two Doors, One Tray per Slide)



Items and Dimensions

ITEM NUMBER	MODEL NUMBER	LENGTH	DEPTH	HEIGHT	SHIP WEIGHT	SHIP CUBE	TRAY SPACING	TRAY CAPACITY
DXTSA1T2D14	TSA1T2D14	43.31" (109.6cm)	25.56" (64.9cm)	52.75" (134.0cm)	300 lb. (136kg)	35.1	5.375 (13.7cm)	14
DXTSA1T2D16	TSA1T2D16	43.31" (109.6cm)	25.56" (64.9cm)	52.75" (134.0cm)	300 lb. (136kg)	35.1	4.75" (12.1cm)	16
DXTS1T2D18	TS1T2D18	43.31" (109.6cm)	25.56" (64.9cm)	62.25" (158.1cm)	300 lb. (136kg)	41.2	5.375" (13.7cm)	18
DXTS1T2D20	TS1T2D20	43.31" (109.6cm)	25.56" (64.9cm)	62.25" (158.1cm)	300 lb. (136kg)	40.8	4.75" (12.1cm)	20

Optional Accessories

Casters

- 6" Carpet Casters
- 8" Carpet Casters
- 8" Performa Casters
- 5th caster option ahead or center

Top Rail

- 2.3" high (6.5cm), 3-sided
- 2.35" high (6.5cm), 4-sided

Other Options

- Floor Drain
- Menu Card Holder
- Transport Latch
- Tow Hitch
- Wall Saver (Corner Bumper)
- Pass-thru Doors



Please confirm that you have the most current specification sheet by visiting www.dinex.com.
Dinex® reserves the right to change specifications and product design without notice.
Such revisions do not entitle the buyer to corresponding changes, improvements, additions or replacements for previously purchased equipment.

DINEX®

Building 2, Suite 106
628 Hebron Avenue
Glastonbury, CT 06033
800.523.9752 Fax: 860.652.3135
www.dinex.com