

STAINLESS STEEL CONSTRUCTION



TLO-3SS

TLO-4SS

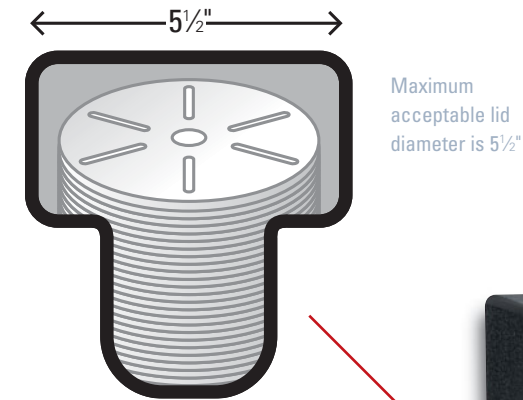
TLO SERIES COUNTERTOP LID & STRAW ORGANIZERS
Countertop lid and straw organizers feature quality stainless steel with reinforced welded construction. Units include angled lid compartments and a divided section for standard and jumbo length straws or condiments. Available with three or four lid sections these cabinets occupy only 6 1/2" x 14" of countertop space.

| Model Number | Item Description | Dimensions H x W x D |
|--------------|-------------------------------------|------------------------|
| TLO-3SS | 3 Section Stainless Steel Organizer | 24 1/2" x 6 1/2" x 14" |
| TLO-4SS | 4 Section Stainless Steel Organizer | 32 1/2" x 6 1/2" x 14" |

BLACK POLYSTYRENE CONSTRUCTION

| Model Number | Item Description | Dimensions H x W x D |
|--------------|---------------------------------|------------------------|
| TLO-2BT | 2 Section Polystyrene Organizer | 16 1/4" x 6 1/2" x 14" |
| TLO-3BT | 3 Section Polystyrene Organizer | 24 1/4" x 6 1/2" x 14" |
| TLO-4BT | 4 Section Polystyrene Organizer | 32 1/4" x 6 1/2" x 14" |

TLO SERIES COUNTERTOP LID & STRAW ORGANIZERS
Countertop lid and straw organizers feature durable polystyrene construction. Units include angled lid compartments and a divided section for standard and jumbo length straw or condiments. Available with two, three or four lid sections these cabinets occupy only 6 1/2" x 14" of countertop space.



TLO-2BT

TLO-3BT

TLO-4BT