

## For Foodservice Applications

Job Name \_\_\_\_\_

Contractor \_\_\_\_\_

Job Location \_\_\_\_\_

Approval \_\_\_\_\_

Engineer \_\_\_\_\_

Contractor's P.O. No. \_\_\_\_\_

Approval \_\_\_\_\_

Representative \_\_\_\_\_

# LEAD FREE\*

## Series Cube Max Ice Making Filtration Systems

**Flow Rate: 1 to 4 GPM (3.8 to 15 LPM)**

The Hydro-Safe line of Cube Max systems have been specifically engineered to address and correct multiple common water related problems both efficiently and economically. Developed for food-service applications for the treatment of ice machines and drink stations, different configurations have been developed to address unique water treatment needs. Utilizing multiple treatment technologies, from poly spun sediment and coconut shell carbon for standard water filtration to phosphate or OneFlow® media for scale control, this Cube Max line has the solution for your ice system treatment.

### Applications

- Ice Machines Including:
  - Flake
  - Nugget
  - Crushed
  - Crescent
  - Cubed

### Features

- Increases ice machine life, performance and quality
- Reduces scale build-up
- Reduces sediment, chlorine taste and odor
- Reduces maintenance and system down time
- Consistent ice quality and better tasting drinks
- In/Out valves allow for easy filter service
- Pressure gauges and flush kit included
- Easy to install
- Simple filter replacement



Cube Max Systems are Tested and Certified by WQA to NSF/ANSI Standard 42 for the reduction of claims specified on the Performance Data Sheet & NSF/ANSI 372 for "lead free" compliance.

# Hydro-Safe®



**Cube Max-S3BBL**

### System Specifications

Maximum Pressure: 125psi/8.6 bar  
 Cube Max Models CP1, CP1L S2, S2L S3, S3L  
 90 psi/6.2 bar  
 Cube Max Models CP1BBL, S2BBL, S3BBL, and S3L+  
 Maximum Temperature: 100°F/38°C  
 pH 6.5 to 8.5  
 Hardness (maximum for systems containing OneFlow) 75 grains (1282 ppm CaCO<sub>3</sub>)  
 Chlorine < 2ppm  
 Iron (maximum) 0.3 mg/l  
 Manganese (maximum) 0.05 mg/l  
 Copper (for systems containing OneFlow) < 0.1 mg/l  
 Oil & H<sub>2</sub>S- None allowed  
 Polyphosphate (for systems containing OneFlow)- None allowed  
 Silica (maximum for systems containing OneFlow) 10 ppm  
 For all other feed water quality requirements abide by the current USEPA Safe Drinking Water Act standards.

\*The wetted surface of this product contacted by consumable water contains less than 0.25% of lead by weight.

Watts product specifications in U.S. customary units and metric are approximate and are provided for reference only. For precise measurements, please contact Watts Technical Service. Watts reserves the right to change or modify product design, construction, specifications, or materials without prior notice and without incurring any obligation to make such changes and modifications on Watts products previously or subsequently sold.

# WATTS®

System Model	Ordering Code	Max Flow Rate	Connection Size	Recom'd Lbs. of ice per day
Cube Max-CP1	CBMX-CP1S	1 GPM (3.8 LPM)	3/8 NPT	650
Cube Max-S2	CBMX-S2S	1 GPM (3.8 LPM)	3/8 NPT	650
Cube Max-S3	CBMX-S3S	1 GPM (3.8 LPM)	3/8 NPT	650
Cube Max-CP1L	CBMX-CP1L	2 GPM (7.6 LPM)	3/8 NPT	1200
Cube Max-S2L	CBMX-S2L	2 GPM (7.6 LPM)	3/8 NPT	1200
Cube Max-S3L	CBMX-S3L	2 GPM (7.6 LPM)	3/8 NPT	1200
Cube Max-S3L+	CBMX-S3LP	2 GPM (7.6 LPM)	3/8 NPT	2500
Cube Max-CP1BBL	CBMX-CP1-B	4 GPM (15 LPM)	3/4 NPT	1500
Cube Max-S2BBL	CBMX-S2B	4 GPM (15 LPM)	3/4 NPT	3500
Cube Max-S3BBL	CBMX-S3B	4 GPM (15 LPM)	3/4 NPT	3500

## OneFlow® Application Practices

Note: Systems using OneFlow technology prevent hardness related scale formation inside the plumbing system at influent hardness levels of 75 grains per gallon of calcium carbonate and less. Due to variances in water chemistry certain aesthetic conditions external of the plumbing system may not be attained. New copper lines need to be passivated before placing unit into service. Copper usually originates from new copper plumbing upstream of the OneFlow system. All new copper plumbing before the system should be allowed to passivate by operating under normal conditions for a period of 4 weeks prior to starting the system up. This will allow the copper surfaces to be fully flushed and develop a natural protective surface. To further minimize any problem with excess copper, avoid applying excess flux on the inner surfaces of the pipe and use a low-corrosivity water soluble flux listed under the ASTM B813 standard. OneFlow is not for use on closed loop systems.

## Filter Cartridge Life Span

Filter cartridges should be changed at end of filter life, due to lack of filtering performance, or whenever a 15 psi pressure drop or greater is experienced during normal operation, whichever comes first.

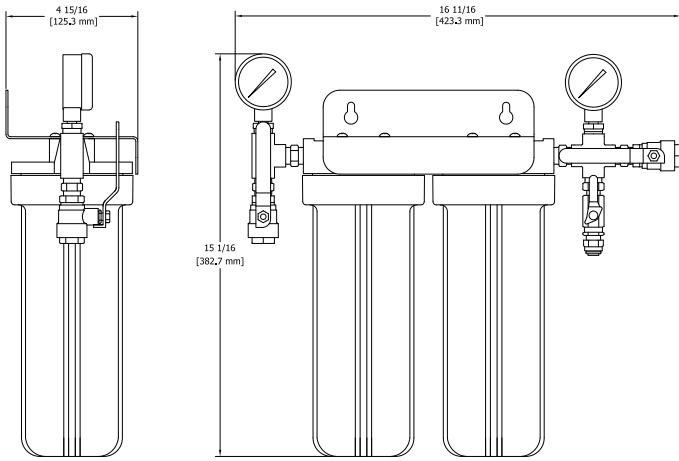
## Replacement Filters

System Replacement Filters			
System Model	Filter Ordering Code	Frequency	Description
Cube Max-CP1	CBMXR-S-CBSC	6 Months	10" Carbon and Scale Filter
Cube Max-S2	CBMX-S2S-PM		All Filters for System Maintenance
	CBMXR-S-CB	6 Months	10" Carbon Block
	DOR-OF110RM	12 Months	10" OneFlow Anti-Scale Cartridge
	STMAXR-S-ACSC	6 Months	10" Phosphate Scale Control (Option)
Cube Max-S3	CBMX-S3S-PM		All Filters for System Maintenance
	HSR-S-SED-5M	6 Months	10" Sediment Pre Filter
	CBMXR-S-CB	6 Months	10" Carbon Block
	DOR-OF110RM	12 Months	10" OneFlow Anti-Scale Cartridge
	STMAXR-S-ACSC	6 Months	10" Phosphate Scale Control (Option)
Cube Max-CP1L	CBMXR-L-CBSC	6 Months	20" Carbon and Scale Filter
Cube Max-S2L	CBMX-S2L-PM		All Filters for System Maintenance
	CBMXR-L-CB	6 Months	20" Carbon Block
	DOR-OF120RM	12 Months	20" OneFlow Anti-Scale Cartridge
	STMAXR-L-ACSC	6 Months	20" Phosphate Scale Control (Option)
Cube Max-S3L	CBMX-S3L-PM		All Filters for System Maintenance
	HSR-L-SED-5M	6 Months	20" Sediment Pre Filter
	CBMXR-L-CB	6 Months	20" Carbon Block
	DOR-OF120RM	12 Months	20" OneFlow Anti-Scale Cartridge
	STMAXR-L-ACSC	6 Months	20" Phosphate Scale Control (Option)
Cube Max-S3L+	CBMX-S3LP-PM		All Filters for System Maintenance
	HSR-S-SED-5M	6 Months	10" Sediment Pre Filter
	CBMXR-L-CB	6 Months	20" Carbon Block (2)
	OFTWHRM	12 Months	20" OneFlow Anti-Scale Cartridge
	STMAXR-BL-ACSC	6 Months	20" Phosphate Scale Control (Option)
Cube Max-CP1BBL	CBMXR-BL-CBSC	6 Months	20" Carbon and Scale Filter
Cube Max-S2BBL	CBMX-S2B-PM		All Filters for System Maintenance
	CBMXR-BL-CB	6 Months	20" Carbon Block
	DOR-OF140RM	12 Months	20" OneFlow Anti-Scale Cartridge
	STMAXR-BL-ACSC	6 Months	20" Phosphate Scale Control (Option)
Cube Max-S3BBL	CBMX-S3B-PM		All Filters for System Maintenance
	HSR-BL-SED-5M	6 Months	20" Sediment Pre Filter
	CBMXR-BL-CB	6 Months	20" Carbon Block
	DOR-OF140RM	12 Months	20" OneFlow Anti-Scale Cartridge
	STMAXR-BL-ACSC	6 Months	20" Phosphate Scale Control (Option)

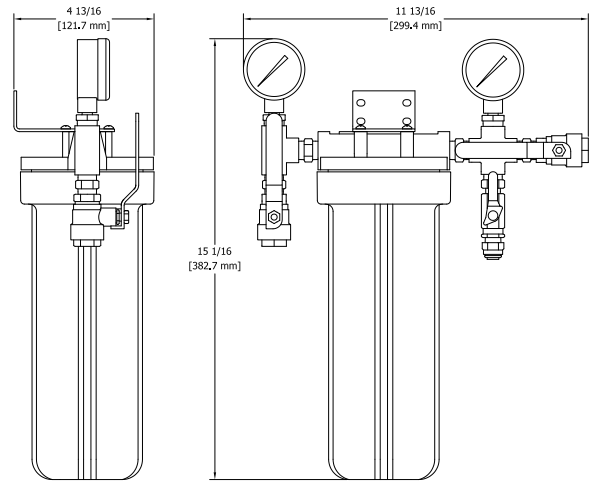
**Please note:** Cartridge capacities are estimates and may be less depending on incoming water quality.

**Note:** Do not use with water that is microbiologically unsafe or of unknown quality without adequate disinfection before or after the system.

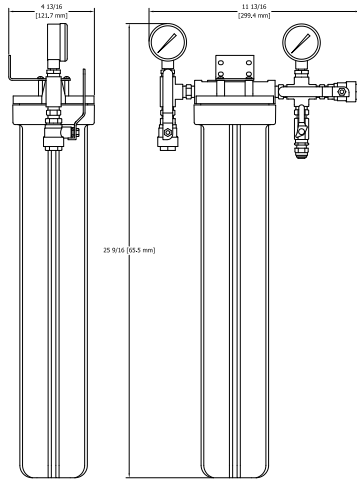
### Cube Max-S2



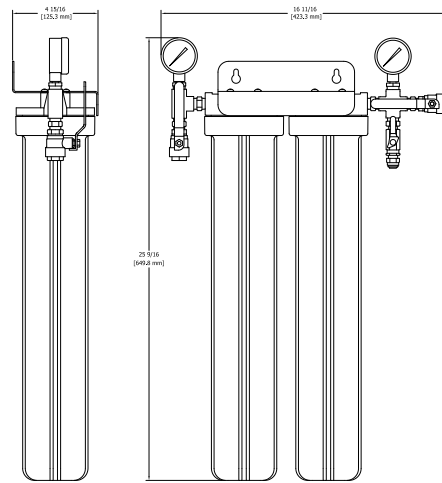
### Cube Max-CP1



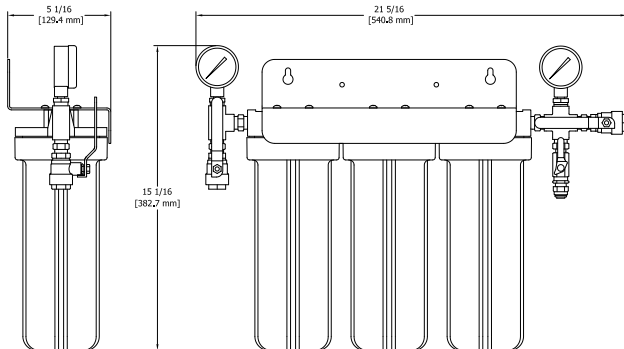
### Cube Max-CP1L



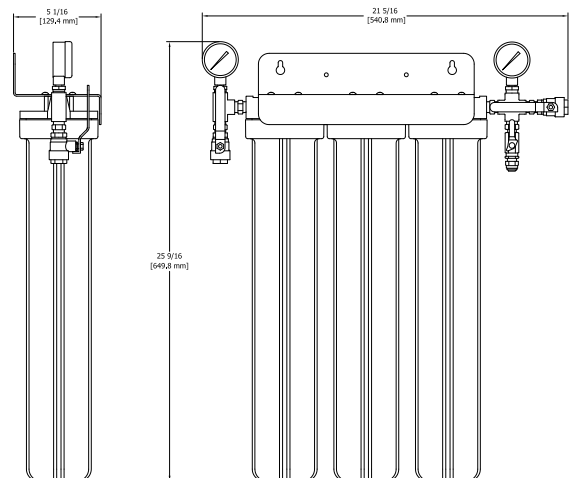
### Cube Max-S2L



### Cube Max-S3

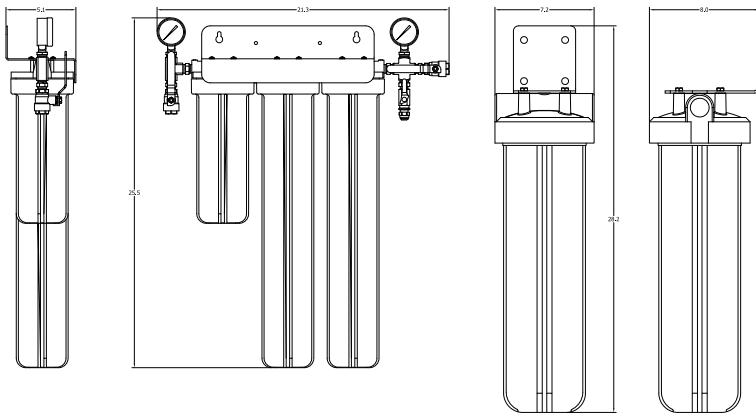


### Cube Max-S3L

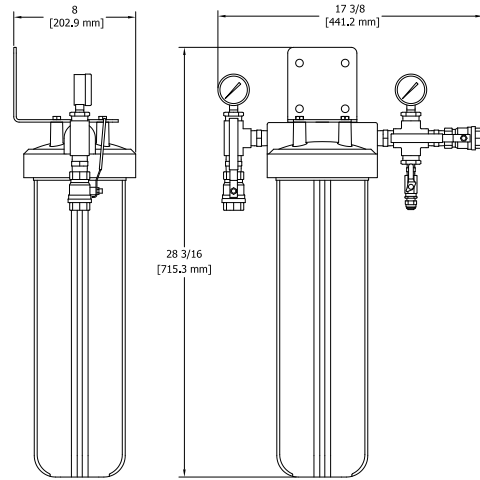


**Note:** Allow 3" of clearance at bottom of system for removal of filter bowls for filter cartridge replacement

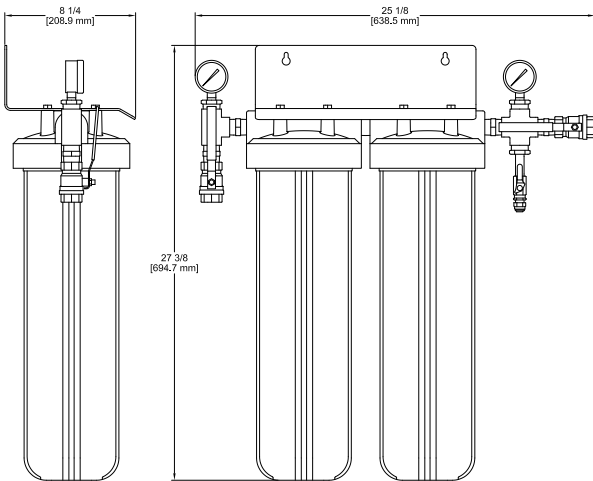
**Cube Max-S3L +**



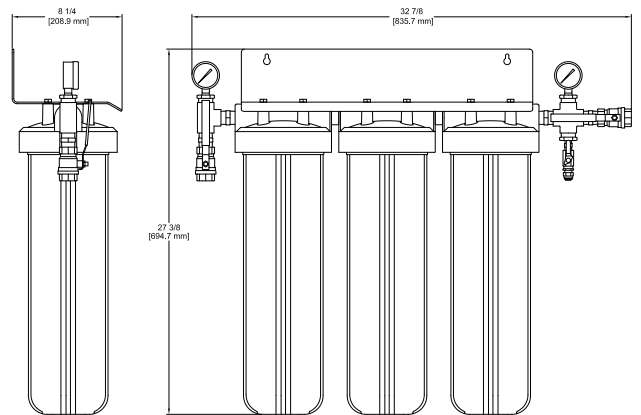
**Cube Max-CP1BBL**



**Cube Max-S2BBL**



**Cube Max-S3BBL**



**Note:** Allow 3" of clearance at bottom of system for removal of filter bowls for filter cartridge replacement



A Watts Water Technologies Company



Tel: (800) 264-1183 • Fax: (724) 733-4808 • [foodservice.watts.com](http://foodservice.watts.com)