

## HIGH PRODUCTION SPLIT LID GRILL

*A truly **HEAVY DUTY** split lid Grill built to stand up to high production operation.*

Our NEW 2-Sided Split Grill has been engineered to handle the demands of high volume production.

Simple controls make it very easy to operate. Our exclusive manufacturing process casts the heating elements into the platen resulting in more even heat distribution and longer life expectancy.

You won't find a better choice to grill tortilla's burritos, and quesadillas. The SL1577 will continue to perform, when the other grills just can't handle the heat!

The 2-Sided Split Grill allows for different products to be grilled at one time.

Compact size fits just about anywhere.

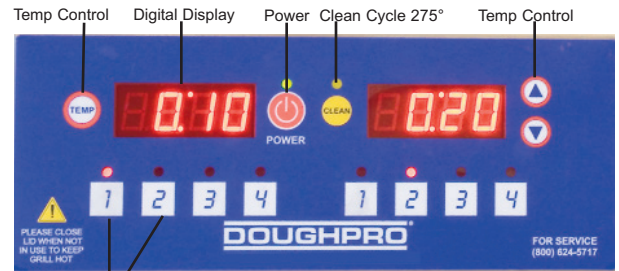
With one push of a button, any unskilled employee will be grilling tortillas, gorditas, quesadillas and burritos in a matter of seconds.

The SL1577 Grill plates are made of polished aluminum 15" x 15" (381x381). The exterior cabinet is type 302 stainless steel.



**Compare before you buy, and our grill will sell itself!**

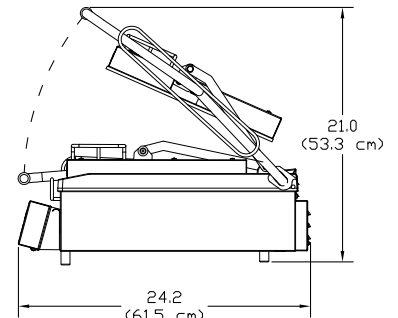
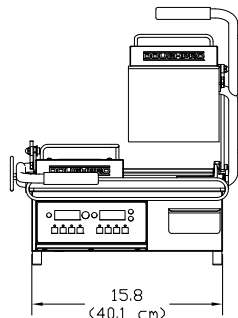
**Available in Smooth or Panini**



Timer Control Setting

ON/OFF Switch	Yes	Electrical Data 120v/60hz 2200w/18.3amps 220v/50/60hz 2200w/10amps
Programable Timer	Yes	
Self Adjusting Thickness	Yes	
Temperature Control	Yes	Shipping Weight's 65 lbs. / 29 kgs.
Maximum Heat	0-505°F	

Includes 72" cord and NEMA plug.



*Specifications, Details and Prices are subject to change without prior notice. Please call for current pricing.*

### DOUGHPRO

20281 Harvill Ave, Perris CA 92570  
(951) 657-0379 (800) 624-6717 Fax (951) 657-4594

# DOUGHPRO®

STEARNS PRODUCT DEVELOPMENT CORPORATION  
Website: [www.doughpro.com](http://www.doughpro.com) E-Mail: [info@doughpro.com](mailto:info@doughpro.com)