

PROGRILL™

Model No.

TW1520

TORTILLA DISPLAY GRILLS

FLAUNT THEM! Tortillas taste better when the customer sees them made FRESH N' HOT on the grill.

Delicious tortillas are what people remember when they tell their friends about the great Mexican meal they had in your restaurant! And what better way to make those memories unforgettable than the sight and aroma added to the taste of freshly made tortillas coming hot off the grill. And when you combine these easy-to-use, non-mechanical grills with either our **DP2000** or **DP6208** presses, the tortillas will keep on coming when the crowd is screaming for more!



(*Note: Not to be used for hamburgers, bacon or other grease producing food items.)



Model No.

TW2025

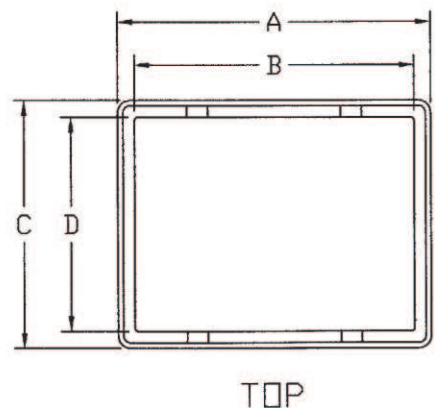
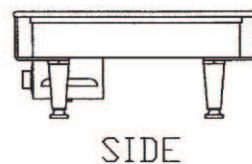
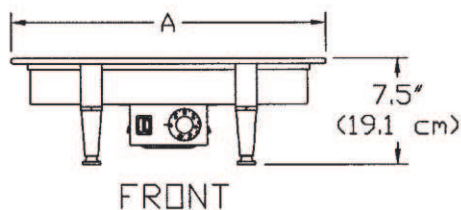


TW1520 & TW2025		
ON/OFF Switch	Yes	Shipping Weight TW1520 49 lbs. / 23 kgs. TW2025 81 lbs. / 37 kgs.
Temperature Control	Yes	
Maximum Heat	100°-425°F	
Electrical Data		
TW1520 120v/60hz 1700w/14.17amps	TW2025E 208v-50/60hz 2800w/13.4 amps	

Our heating elements are cast into the grill plate, resulting in far longer life expectancy and even heat distribution.

Includes 60" NEMA 5-15P approved cord and plug.

TW1520	TW2025
A- 22.4" (56.9 cm)	A- 27.4" (69.6 cm)
B- 20.0" (50.8 cm)	B- 25.0" (63.5 cm)
C- 17.4" (44.2 cm)	C- 22.4" (56.9 cm)
D- 15.0" (38.1 cm)	D- 20.0" (50.8 cm)



Specifications, Details and Prices are subject to change without prior notice. Please call for current pricing.

DOUGHPRO®

STEARNS PRODUCT DEVELOPMENT CORPORATION
20281 Harvill Ave, Perris, CA 92570 Tel: (800) 624-6717 - Fax: (951) 657-4594



DOUGHPRO®

Website: www.doughpro.com • E-Mail: info@doughpro.com