



MDF820

### Manual Dough Divider

Doyon is your best choice for a superior quality divider that frees you from the task of dividing your dough by hand while making it faster, easier and simpler. Better yet you'll be assured of uniformity in dough weight everytime.

Doyon's manual divider is ideal for rolls, tortillas, pizzas, breads, and much more...

## MDF Series Dividers

"Superior *quality* product  
 at an *affordable* price!"

### MDF Series Dividers

#### FEATURING

- Countertop model
- Models 15, 20 or 30 pieces
- Sanitary dough press head
- Stainless steel dough pan included
- Uniformly scales pieces
- No oil in or above product zone
- Cutting knives are stainless steel for sanitary purpose
- Head can be tilted for easy cleaning
- Virtually maintenance free: extremely durable
- Weight range depending on dough consistency
- One year parts and labor limited warranty

#### OPTIONAL

- SS2830 stainless steel table on casters

### NUMBER OF PORTIONS

MDF315 : 15  
MDF330 : 30  
MDF820 : 20  
MDF830 : 30

### PORTION WEIGHT RANGE

MDF315 : 1.75 oz to 7 oz (50g to 200g)  
MDF330 : 0.71 oz to 3.5 oz (20g to 100g)  
MDF820 : 1.75 oz to 14 oz (50g to 400g)  
MDF830 : 1.1 oz to 9.3 oz (31g to 265g)

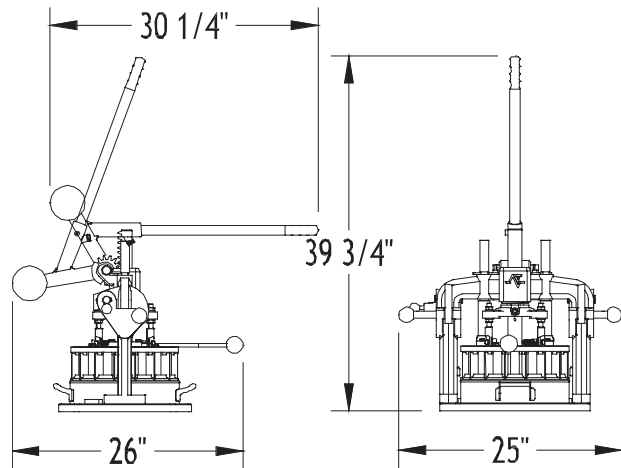
### TOTAL DOUGH WEIGHT

MDF315 : 1.6 lb to 6.5 lb (0.75 kg to 3 kg)  
MDF330 : 1.3 lb to 6.6 lb (0.6 kg to 3 kg)  
MDF820 : 2 lb to 17 lb (0.75 kg to 7.5 kg)  
MDF830 : 2 lb to 17.5 lb (0.9 kg to 7.95 kg)

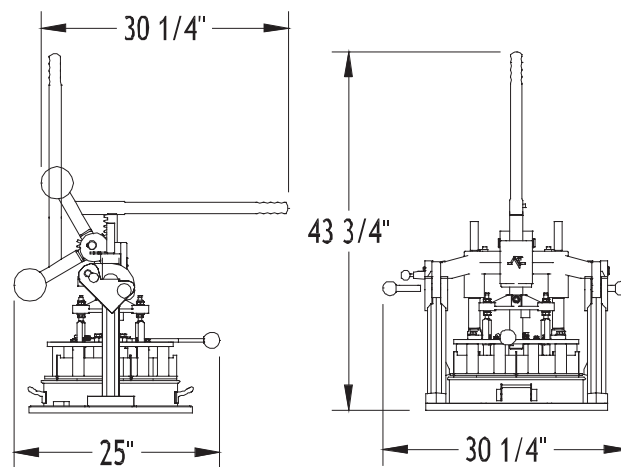
### CRATED WEIGHT

400 lb (182 kg) approximately

## MDF315 - MDF330



## MDF820 - MDF830



MDF830



1255, rue Principale  
Linière, Beauce, Québec, Canada G0M 1J0

Telephone : (418) 685-3431      Fax: (418) 685-3948  
Canada : (800) 463-1636      U.S.: (800) 463-4273  
E-Mail : doyon@doyon.qc.ca      Internet: <http://www.doyon.qc.ca>

Your local distributor:

