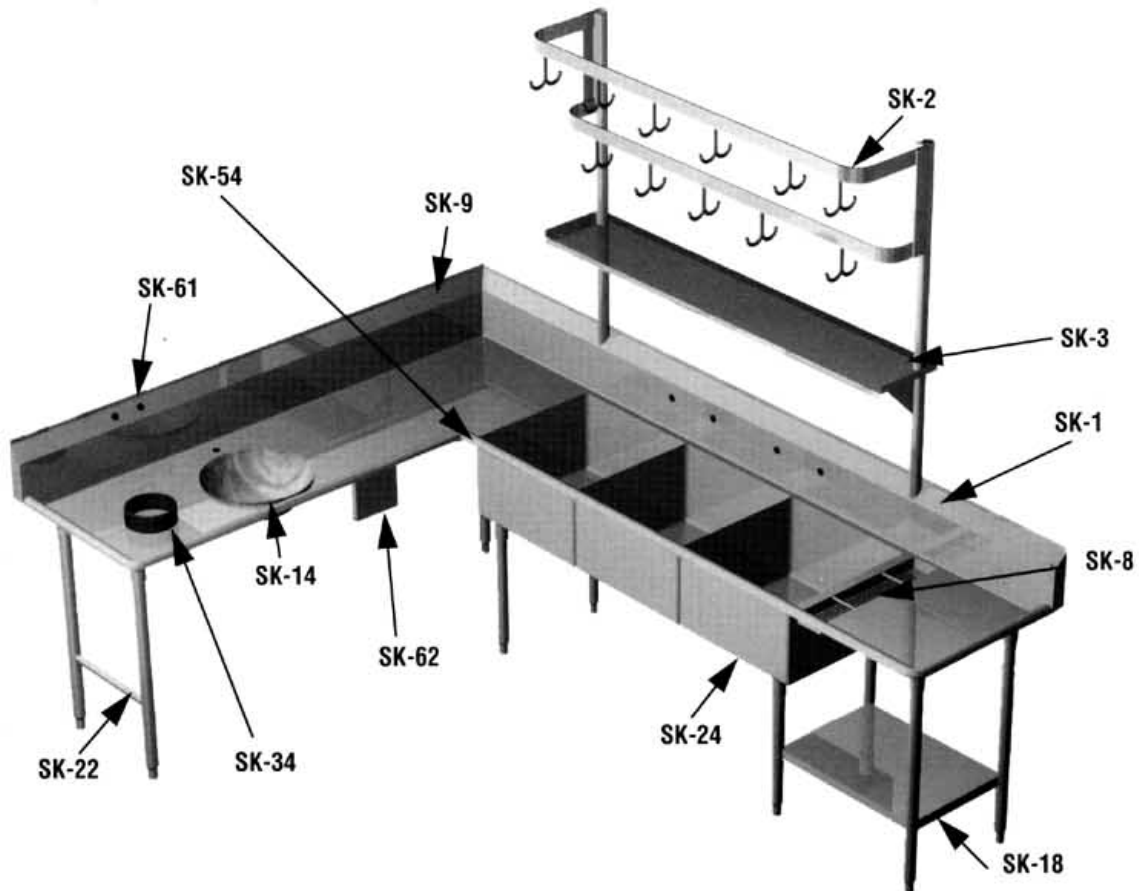


Duke Specifications



“Your Solutions Partner”

F.O.B. St. Louis, Missouri 63102



MODIFICATIONS:

- Provisions for sink mounted pot rack and/or shelf - **SK-1**
- Stainless steel pot rack, 2-bar, riser mounted - Must add SK-1 - **SK-2**
- Stainless steel 12" wide shelf, riser mounted - Must add SK-1 - **SK-3**
- Poly board sink cover - **SK-4**
- Carving board, 3/4", H.D. poly - **SK-5**
- Z bracket for wall attachment - **SK-7**
- Waste trough furnished with 2" deep removable basket - **SK-8**
- High backsplash, up to 6" higher - **SK-9**
- Extra drainboard length - **SK-10**
- Stainless steel sink cover - **SK-13**
- Installation of disposal cone - **SK-14**
- Installation of disposal collar - **SK-15**
- Faucet hole revision - **SK-16**
- Working height revision - **SK-17**

- Stainless steel undershelf - **SK-18**
- Flanged bullet feet, stainless steel - **SK-19**
- Provision for pot washer - **SK-20**
- Provision for Halco heater - **SK-21**
- Stainless steel welded leg assembly - **SK-22**
- Special depth sink bowl - **SK-24**
- Sink preparation for Undercounter Dishwasher (24" drainboard) - **SK-25**
- Column cutout - **SK-30**
- Splash cutout - **SK-31**
- Scrap block installed - **SK-34**
- Drainboard or sink endsplash - **SK-49**
- Scrap trough - **SK-50**
- Pass-trough sill - **SK-51**
- Drainboard corner turn - **SK-54**
- Perforated basket to fit sink, stainless steel - **SK-57**
- Longitudinal crossrail - **SK-58**
- Vacuum breaker holes - **SK-61**
- Small switch bracket - **SK-62**
- Large control bracket - **SK-63**

DUKE MANUFACTURING CO.

2305 N. Broadway
St. Louis, MO 63102

800.735.3853 Toll Free
314.231.1130 In Missouri
314.231.5074 Fax
www.dukemfg.com

Aerohot®

DUKE SINKS MODIFICATIONS

MODEL:

Duke Sinks

FEATURES AND OPTIONS OF POT RACKS AND SHELVES:

POT RACKS

- 1/4" stainless steel bar
- Required pot hooks
- Height up to 84"

SHELVES:

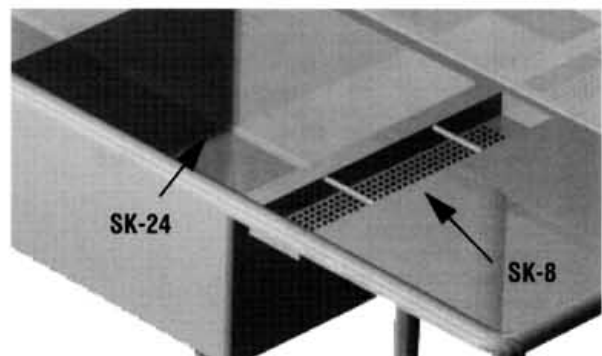
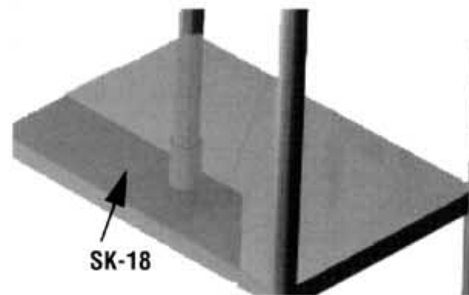
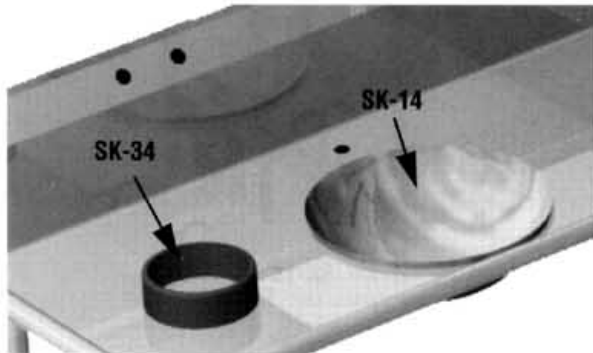
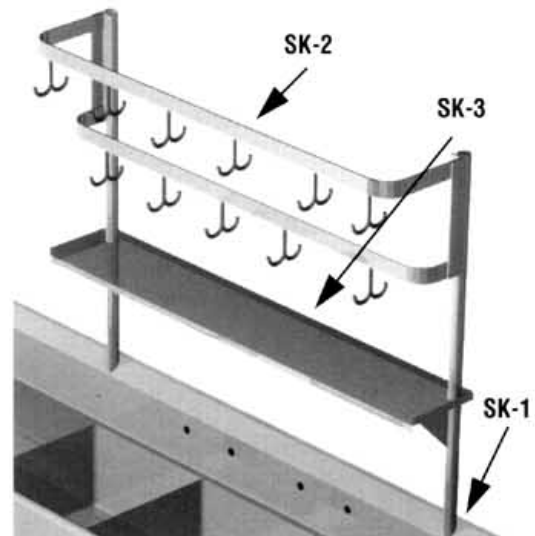
- 12" wide adjustable shelf
- 14, 16 or 18 gauge, 300 Series stainless steel

ASSEMBLY:

- Two (2) stainless steel tubular uprights

SHORT FORM SPECIFICATIONS:

Duke Sinks - Modifications.



A.I.A. File No. 35-C-13

Catalog No. SINKMODS

DUKE SINKS - MODIFICATIONS



"Your Solutions Partner"

DUKE MANUFACTURING CO.
2305 N. Broadway
St. Louis, MO 63102

800.735.3853 Toll Free
314.231.1130 In Missouri
314.231.5074 Fax
www.dukemfg.com

11/00

Specifications subject to change

Printed in U.S.A.
©2000, Duke Manufacturing Co.