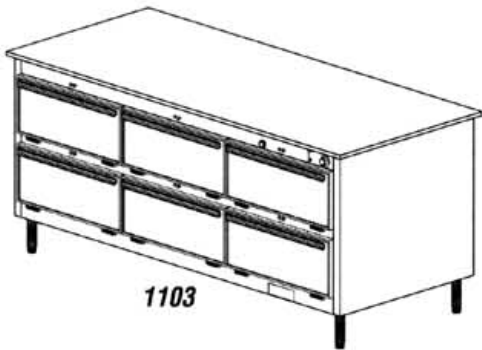




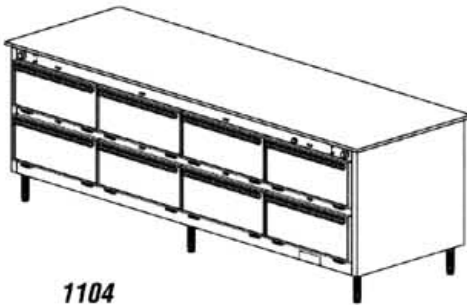
"Your Solutions Partner"

# Specifications

F.O.B. St. Louis, Missouri 63102



1103



1104

### OPTIONS:

- Enclosed base - 6" high
- Cord and plug - 8'
- Casters - 5" polyurethane, 2 swivel w/brakes/2 rigid
- Push bar
- Bumpers - stainless steel
- Door Panels - laminated plastic
- Additional pair 5" angle slides
- Door locks
- 440-480V Circuit
- Celsius thermometer in lieu of Fahrenheit
- 208V/1Ph; 208V/3Ph; 240V/1Ph; 240V/3Ph

### AGENCY LISTINGS:



**DUKE MANUFACTURING CO.**  
2305 N. Broadway  
St. Louis, MO 63102

800.735.3853 Toll Free  
314.231.1130 In Missouri  
314.231.5074 Fax  
www.dukemfg.com

**Approval Stamp(s):**

### PROJECT INFORMATION:

PROJECT: \_\_\_\_\_  
 ITEM: \_\_\_\_\_  
 QUANTITY: \_\_\_\_\_

### MODEL:

## Thermotainer Food Holding Cabinets - "B" Series 9"H x 22"W x 28-1/2"D Compartments

- 1103** Reach-In - 1 thermostat for all 6 compartments, w/legs
- 1103P** Pass-Thru - 1 thermostat for all 6 compartments, w/legs
- 1104** Reach-In - 2 thermostats for all 8 compartments, w/legs
- 1104P** Pass-Thru - 2 thermostats for all 8 compartments, w/legs

### BODY:

- Heavy gauge stainless steel, all panels except bottom
- Shell welded to interior
- Die-stamped compartment openings
- Top 14 ga. S/S w/1" turned down edge and 1" overhang on all sides
- Body fully insulated with 1-1/2" fiberglass

### DOORS:

- Stainless steel, die-stamped, embossed front
- Ribbed interior
- Reinforced for mounting hardware
- Insulated with fiberglass
- Spring hinges die-stamped, with built-in stop externally adjustable, completely concealed

### COMPARTMENTS:

- Heavy gauge stainless steel
- Rounded corners
- Stainless steel studs for angle slides at 3 levels
- (2) removable, adjustable, stainless steel, 5" angle slide pairs
- Removable liner for inspection and maintenance

### ELECTRICAL CONTROLS:

- Recessed thermostat w/built-in On-Off switch
- Heat range 100°-300°F and dial thermometer
- Pilot lights
- Recessed connection box
- Removable access panels

### DAMPERS:

- 2-position sliding type
- Controlled by push buttons
- Compartments individually controlled

### HEATING ELEMENTS:

- Sheath type strip heaters, 120 Volt, 1 Phase
- Removable compartment for ease of access to heating elements

### LEGS:

- Stainless steel die-stamped adjustable - 6" high

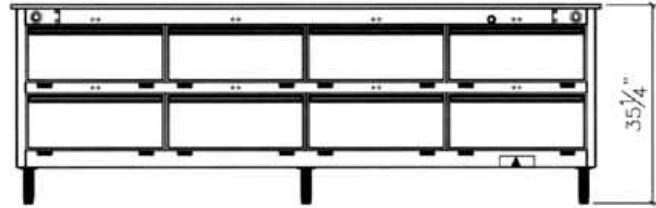
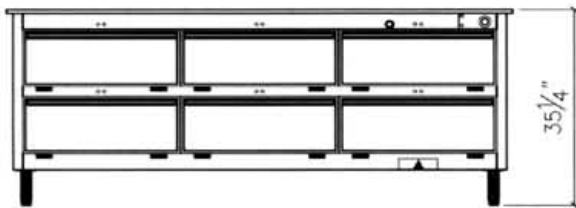
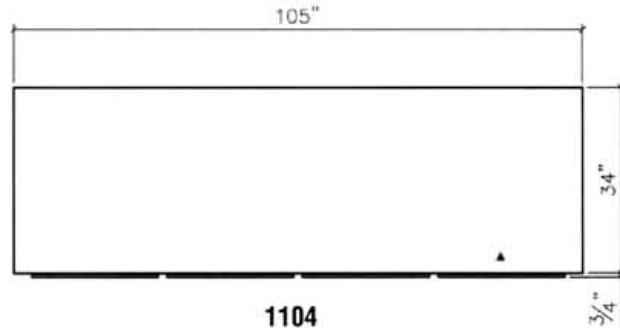
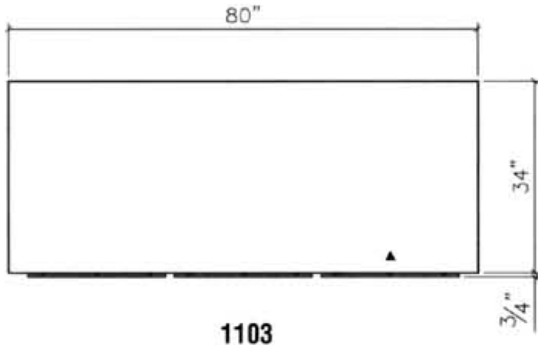
### SHORT FORM SPECIFICATIONS:

**Duke Thermotainers Food Holding Cabinets.** Models 1103/1103P constructed with six (6) compartments. Models 1104/1104P to have eight (8) compartments. Compartments 9"H x 22"W x 28-1/2"D. Each compartment to have two (2) pairs of removable stainless steel slides. 1103/1103P - one thermostat controls all compartments. 1104/1104P - two thermostats controls all compartments. 14 ga. stainless steel work top, 100°-300°F heat range with dial thermometer, and 6" high stainless legs. Built-in installation - allow 1/4" tolerance greater than body width.



**THERMOTAINER FOOD HOLDING CABINETS - "B" SERIES**  
**9"H x 22"W x 28-1/2"D COMPARTMENTS**

- **1103** Reach-In - 1 thermostat for all 6 compartments, w/legs
- **1103P** Pass-Thru - 1 thermostat for all 6 compartments, w/legs
- **1104** Reach-In - 2 thermostats for all 8 compartments, w/legs
- **1104P** Pass-Thru - 2 thermostats for all 8 compartments, w/legs



**DIMENSIONS:**

Freight Class: 100

Model	Width		Depth		Height		Comp. Depth		Cube ft. crated	Weight	
	in.	cm	in.	cm	in.	cm	in.	cm		lbs.	kg
<b>1103</b>	80	203.2	33-3/4	85.7	35-1/4	89.5	28-1/2	72.4	83.4	800	363.6
<b>1103P</b>	80	203.2	35-1/2	90.2	35-1/4	89.5	30-1/2	77.5	85.0	800	363.6
<b>1104</b>	105	266.7	33-3/4	85.7	35-1/4	89.5	28-1/2	72.4	107.7	1050	477.3
<b>1104P</b>	105	266.7	35-1/2	90.2	35-1/4	89.5	30-1/2	77.5	109.7	1050	477.3

**ELECTRICAL SPECIFICATIONS:** (Consult factory for 3-phase electrical requirements and other options.) 120V, 1Ph

Model	Connected Load
<b>1103</b>	2500 watts
<b>1103P</b>	2500 watts
<b>1104</b>	3000 watts
<b>1104P</b>	3000 watts

	<b>1103/1103P</b>	<b>1104/1104P</b>
<b>Capacity w/standard slides</b>	(36) 12" x 20" x 2" pans or (24) 12" x 20" x 4" pans or (12) 12" x 20" x 8" pans or (18) 18" x 26" bake sheets	(48) 12" x 20" x 2" pans or (32) 12" x 20" x 4" pans or (16) 12" x 20" x 8" pans or (24) 18" x 26" bake sheets

- 1103** Reach-In - hinged doors on front only
- 1103P** Pass-Thru - hinged doors on front & back for pass-thru service
- 1104** Reach-In - hinged doors on front only
- 1104P** Pass-Thru - hinged doors on front & back for pass-thru service



**DUKE MANUFACTURING CO.**  
 2305 N. Broadway  
 St. Louis, MO 63102

800.735.3853 Toll Free  
 314.231.1130 In Missouri  
 314.231.5074 Fax  
 www.dukemfg.com

**"Your Solutions Partner"**

Specifications subject to change