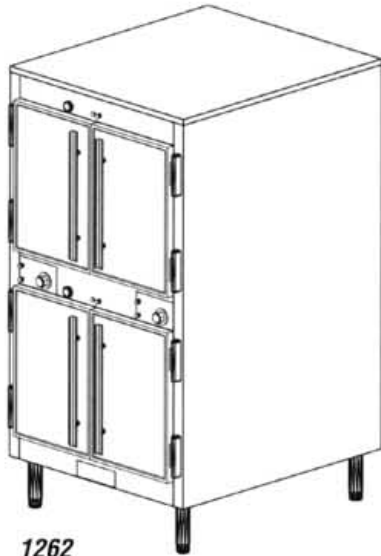




"Your Solutions Partner"

# Specifications

F.O.B. St. Louis, Missouri 63102



### OPTIONS:

- Enclosed base - 6" high
- Cord and plug - 8'
- Casters - 5" polyurethane, 2 swivel w/brakes/2 rigid
- Push bar
- Bumpers - stainless steel
- Door Panels - laminated plastic
- Additional pair 5" angle slides
- Door locks
- 440-480V Circuit
- Celsius thermometer in lieu of Fahrenheit
- 208V/1Ph; 208V/3Ph; 240V/1Ph; 240V/3Ph

### AGENCY LISTINGS:



**DUKE MANUFACTURING CO.**  
2305 N. Broadway  
St. Louis, MO 63102

800.735.3853 Toll Free  
314.231.1130 In Missouri  
314.231.5074 Fax  
www.dukemfg.com

### Approval Stamp(s):

### PROJECT INFORMATION:

PROJECT: \_\_\_\_\_  
 ITEM: \_\_\_\_\_  
 QUANTITY: \_\_\_\_\_

### MODEL:

## Thermotainer Food Holding Cabinets - "D" Series 16-3/4"H x 22"W x 28-1/2"D Compartments

- 1262** Reach-In - 1 thermostat per compartment, with legs
- 1262P** Pass-Thru - 1 thermostat per compartment, with legs

### BODY:

- Heavy gauge stainless steel, all panels except bottom
- Shell welded to interior
- Die-stamped compartment openings

### DOORS:

- Stainless steel Uni-Door construction
- Operate simultaneously, either opening or closing
- Overhead operating unit
- Automatic stop holds open position
- Spring hinges die-stamped, with built-in stop externally adjustable, completely concealed

### COMPARTMENT:

- Heavy gauge stainless steel
- Rounded corners
- Stainless steel studs for angle slides at 6 levels
- (3) removable, adjustable, stainless steel 5" angle slide pairs
- Removable liner for inspection and maintenance

### ELECTRICAL CONTROLS:

- Recessed thermostat w/built-in On-Off switch
- Heat range 100°-300°F and dial thermometer
- Pilot lights
- Recessed connection box
- Thermostat, pilot lights set in removable access panel

### DAMPERS:

- 2-position sliding type
- Controlled by push buttons
- Compartments individually controlled

### INSULATION:

- Body fully insulated with 1-1/2" fiberglass, doors with fiberglass

### HEATING ELEMENTS:

- Sheath type strip heaters, 120 Volt, 1 Phase
- Removable compartment for ease of access to heating element

### LEGS:

- Stainless steel die-stamped adjustable - 6" high

### SHORT FORM SPECIFICATIONS:

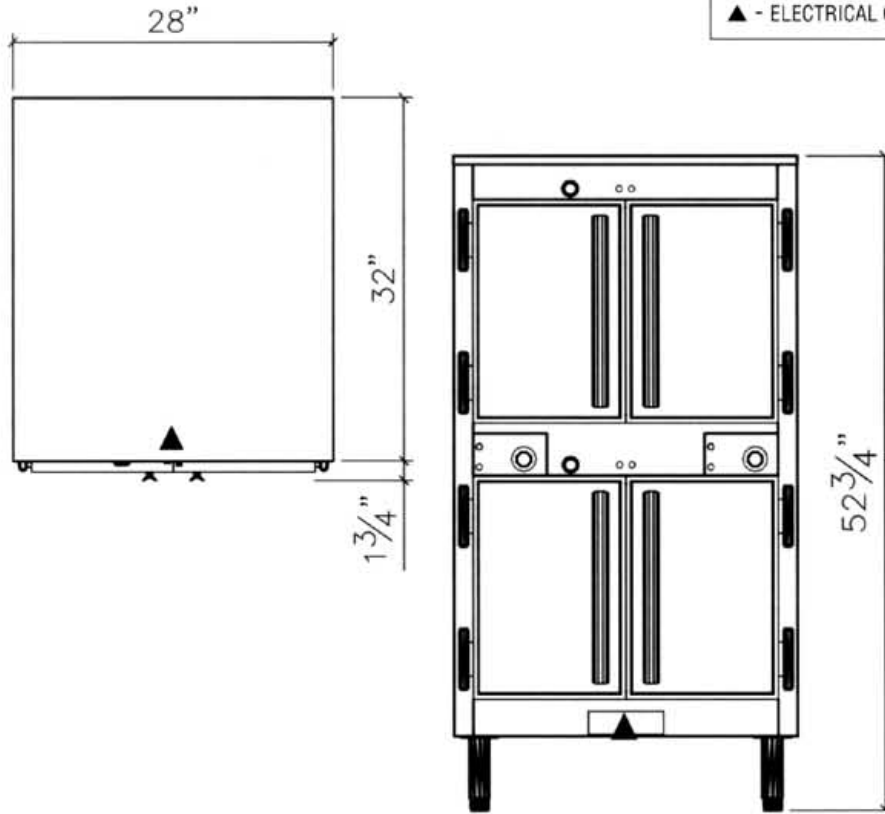
**Duke Thermotainers Food Holding Cabinets.** Models 1262/1262P constructed with two (2) compartments. Compartments 16-3/4"H x 22"W x 28-1/2"D. Each compartment to have three (3) pairs of removable stainless steel slides. One thermostat per compartment. 100°-300°F heat range and dial thermometer, with 6" high stainless legs. Built-in installation - allow 1/4" tolerance greater than body width.



**THERMOTAINER FOOD HOLDING CABINETS - "D" SERIES**  
**16-3/4"H x 22"W x 28-1/2"D COMPARTMENTS**

- 1262** Reach-In - 1 thermostat per compartment, with legs
- 1262P** Pass-Thru - 1 thermostat per compartment, with legs

LEGEND	
▲	ELECTRICAL CONNECTION



**DIMENSIONS:**

Freight Class: 100

Model	Width		Depth		Height		Comp. Depth		Cube ft. crated	Weight	
	in.	cm	in.	cm	in.	cm	in.	cm		lbs.	kg
1262	28	71.1	33-3/4	85.7	52-3/4	134.0	28-1/2	72.4	45.1	450	204.6
1262P	28	71.1	35-1/2	90.2	52-3/4	134.0	30-1/2	77.5	47.2	450	204.6

**ELECTRICAL SPECIFICATIONS:** (Consult factory for 3-phase electrical requirements and other options.) 120V, 1Ph

Model	Connected Load
1262	2000 watts
1262P	2000 watts

	1262/1262P
<b>Capacity w/standard slides</b>	(20) 12" x 20" x 2" pans or (12) 12" x 20" x 4" pans or (8) 12" x 20" x 8" pans or (14) 18" x 26" bake sheets

- 1253** Reach-In - hinged Uni-Doors on front only
- 1253P** Pass-Thru - hinged Uni-Doors on front & back for pass-thru service



**DUKE MANUFACTURING CO.**  
 2305 N. Broadway  
 St. Louis, MO 63102

800.735.3853 Toll Free  
 314.231.1130 In Missouri  
 314.231.5074 Fax  
[www.dukemfg.com](http://www.dukemfg.com)

**"Your Solutions Partner"**

08/03

Specifications subject to change

Printed in U.S.A.  
 ©2003, Duke Manufacturing Co.