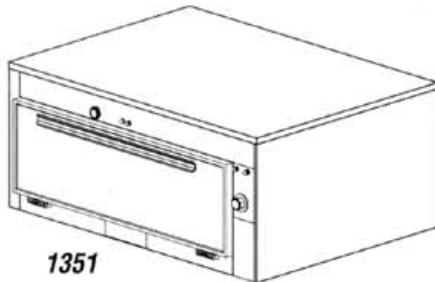




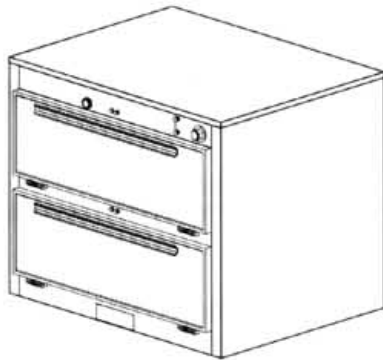
"Your Solutions Partner"

# Specifications

F.O.B. St. Louis, Missouri 63102



1351



1352

### OPTIONS:

- Enclosed base - 6" high
- Cord and plug - 8'
- Casters - 5" polyurethane, 2 swivel w/brakes/2 rigid
- Push bar
- Bumpers - stainless steel
- Door Panels - laminated plastic
- Additional pair 3" angle slides
- Legs
- Door locks
- 440-480V Circuit
- Celsius thermometer in lieu of Fahrenheit
- 208V/1Ph; 208V/3Ph; 240V/1Ph; 240V/3Ph

### AGENCY LISTINGS:



**DUKE MANUFACTURING CO.**  
2305 N. Broadway  
St. Louis, MO 63102

800.735.3853 Toll Free  
314.231.1130 In Missouri  
314.231.5074 Fax  
www.dukemfg.com

Approval Stamp(s):

### PROJECT INFORMATION:

PROJECT: \_\_\_\_\_  
ITEM: \_\_\_\_\_  
QUANTITY: \_\_\_\_\_

### MODEL:

## Thermotainer Food Holding Cabinets - "C" Series 9"H x 29"W x 23-1/2"D Compartments

- 1351** Reach-In - 1 thermostat controls all compartments, w/o legs
- 1351P** Pass-Thru - 1 thermostat controls all compartments, w/o legs
- 1352** Reach-In - 1 thermostat controls all 2 compartments, w/o legs
- 1352P** Pass-Thru - 1 thermostat controls all 2 compartments, w/o legs

### BODY:

- Heavy gauge stainless steel, all panels except bottom
- Shell welded to interior
- Die-stamped compartment openings

### DOORS:

- Stainless steel, die-stamped, embossed front
- Ribbed interior
- Reinforced for mounting hardware
- Insulated with fiberglass
- Spring hinges die-stamped, with built-in stop externally adjustable, completely concealed

### COMPARTMENTS:

- Heavy gauge stainless steel
- Rounded corners
- Stainless steel studs for angle slides at 3 levels
- (4) removable, adjustable stainless steel 3" angle slide pairs
- Removable compartment for inspection and maintenance

### ELECTRICAL CONTROLS:

- Recessed thermostat w/built-in On-Off switch
- Heat range 100°-300°F and dial thermometer
- Pilot lights
- Recessed connection box
- Removable access panels

### DAMPERS:

- 2-position sliding type
- Controlled by push buttons
- Compartments individually controlled

### INSULATION:

- Body fully insulated with 1-1/2" fiberglass

### HEATING ELEMENTS:

- Sheath type strip heaters, 120V, 1 Phase
- Removable compartment for ease of access to heating elements

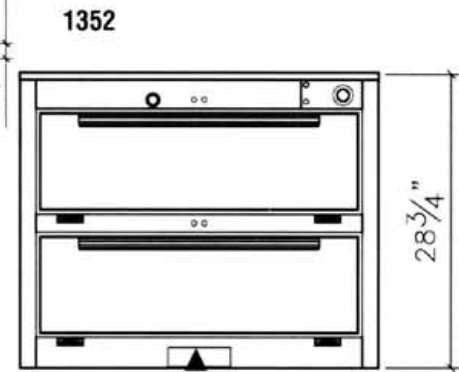
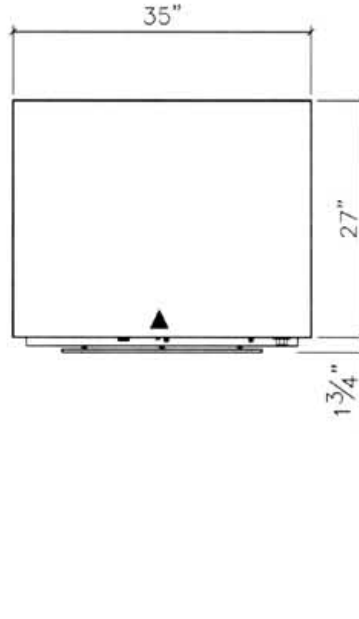
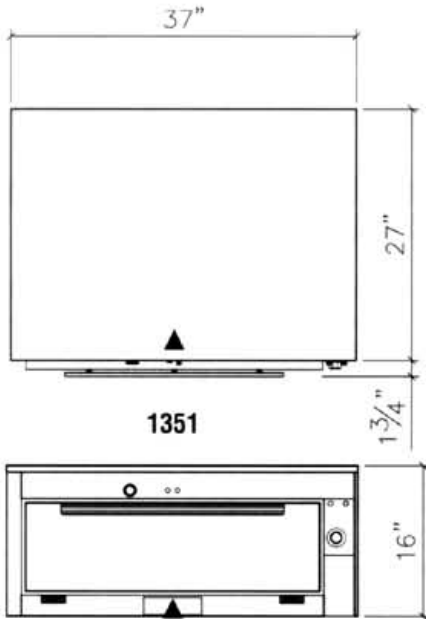
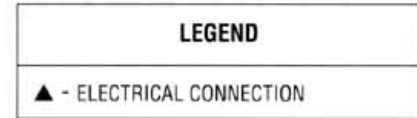
### SHORT FORM SPECIFICATIONS:

**Duke Thermotainers Food Holding Cabinets.** Models 1351/1351P constructed with one (1) compartment. Models 1352/1352P to have two (2) compartments. Compartments 9"H x 29"W x 23-1/2"D. Each compartment to have four (4) pairs of removable stainless steel slides. One thermostat controls all compartments. 100°-300°F heat range and dial thermometer. Built-in installation - allow 1/4" tolerance greater than body width.



**THERMOTAINER FOOD HOLDING CABINETS - "C" SERIES**  
**9"H x 29"W x 23-1/2"D COMPARTMENTS**

- 1351** Reach-In - 1 thermostat controls all compartments, w/o legs
- 1351P** Pass-Thru - 1 thermostat controls all compartments, w/o legs
- 1352** Reach-In - 1 thermostat controls all 2 compartments, w/o legs
- 1352P** Pass-Thru - 1 thermostat controls all 2 compartments, w/o legs



**DIMENSIONS:**

Freight Class: 100

Model	Width		Depth		Height		Comp. Depth		Cube ft. crated	Weight	
	in.	cm	in.	cm	in.	cm	in.	cm		lbs.	kg
<b>1351</b>	37	94.0	28-3/4	73.0	16	40.6	23-1/2	59.7	19.6	225	102.3
<b>1351P</b>	37	94.0	30-1/2	77.5	16	40.6	25-1/2	63.5	20.6	225	102.3
<b>1352</b>	35	88.9	28-3/4	73.0	28-1/4	71.8	23-1/2	59.7	28.2	300	136.4
<b>1352P</b>	35	88.9	30-1/2	77.5	28-1/4	71.8	25-1/2	63.5	29.7	300	136.4

**ELECTRICAL SPECIFICATIONS:** (Consult factory for 3-phase electrical requirements and other options.) 120V, 1Ph

Model	Connected Load
<b>1351</b>	1000 watts
<b>1351P</b>	1000 watts
<b>1352</b>	1500 watts
<b>1352P</b>	1500 watts

	1351/1351P	1352/1352P
<b>Capacity w/standard slides</b>	(6) 12" x 20" x 2" pans or (4) 12" x 20" x 4" pans or (2) 12" x 20" x 8" pans	(12) 12" x 20" x 2" pans or (8) 12" x 20" x 4" pans or (4) 12" x 20" x 8" pans

- 1351** Reach-In - hinged doors on front only
- 1351P** Pass-Thru - hinged doors on front & back for pass-thru service
- 1352** Reach-In - hinged doors on front only
- 1352P** Pass-Thru - hinged doors on front & back for pass-thru service



**DUKE MANUFACTURING CO.**  
**2305 N. Broadway**  
**St. Louis, MO 63102**

**800.735.3853 Toll Free**  
**314.231.1130 In Missouri**  
**314.231.5074 Fax**  
**www.dukemfg.com**

**"Your Solutions Partner"**

Specifications subject to change

08/03

Printed in U.S.A.  
 ©2003, Duke Manufacturing Co.