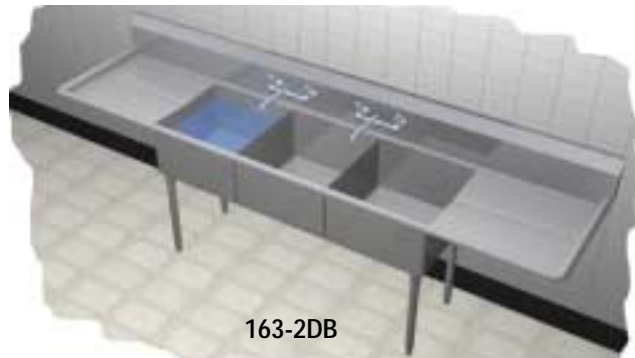


Duke Specifications



"Your Solutions Partner"

F.O.B. St. Louis, Missouri 63102



163-2DB

OPTIONS:

- Provisions for sink mounted pot rack and/or shelf - **SK-1**
- Stainless steel pot rack, 2-bar, riser mounted - **SK-2**
- Stainless steel 12" wide shelf, riser mounted - **SK-3**
- Poly board sink cover - **SK-4**
- Carving board, 3/4", H.D. poly - **SK-5**
- Z bracket for wall attachment - **SK-7**
- Waste trough furnished with 2" deep removable basket - **SK-8**
- High backsplash, up to 6" higher - **SK-9**
- Extra drainboard length - **SK-10**
- Stainless steel sink cover - **SK-13**
- Installation of disposal cone - **SK-14**
- Installation of disposal collar - **SK-15**
- Faucet hole revision - **SK-16**
- Working height revision - **SK-17**
- Stainless steel undershelf - **SK-18**
- Flanged bullet feet, stainless steel - **SK-19**
- Provision for pot washer - **SK-20**
- Provision for Hatco heater - **SK-21**
- Stainless steel welded leg assembly - **SK-22**
- Special depth sink bowl - **SK-24**
- Sink preparation for Undercounter Dishwasher (24" drainboard) - **SK-25**
- Column cutout - **SK-30**
- Splash cutout - **SK-31**
- Scrap block installed - **SK-34**
- Drainboard or bowl sidesplash - **SK-49**
- Scrap trough - **SK-50**
- Pass-through sill - **SK-51**
- Drainboard corner turn - **SK-54**
- Perforated basket to fit sink, stainless steel - **SK-57**
- Longitudinal crossrail - **SK-58**
- Vacuum breaker holes - **SK-61**
- Small switch bracket - **SK-62**
- Large control bracket - **SK-63**

AGENCY LISTING:



DUKE MANUFACTURING CO.
2305 N. Broadway
St. Louis, MO 63102

800.735.3853 Toll Free
314.231.1130 In Missouri
314.231.5074 Fax
www.dukemfg.com

PROJECT INFORMATION:

PROJECT: _____
ITEM: _____
QUANTITY: _____

MODEL:

Duke Sinks - Deluxe - 16" x 21" x 11-1/2"D bowl, two drainboards

- 161-218** (1) 16" comp. w/18"L drainboards
- 161-224** (1) 16" comp. w/24"L drainboards
- 161-236** (1) 16" comp. w/36"L drainboards
- 162-218** (2) 16" comp. w/18"L drainboards
- 162-224** (2) 16" comp. w/24"L drainboards
- 162-236** (2) 16" comp. w/36"L drainboards
- 163-218** (3) 16" comp. w/18"L drainboards
- 163-224** (3) 16" comp. w/24"L drainboards
- 163-236** (3) 16" comp. w/36"L drainboards
- 164-218** (4) 16" comp. w/18"L drainboards
- 164-224** (4) 16" comp. w/24"L drainboards
- 164-236** (4) 16" comp. w/36"L drainboards

GENERAL:

- 16 gauge, 300 Series stainless steel
- Ground and polished welded parts
- Stainless steel legs and feet

SINK COMPARTMENTS:

- 16 gauge stainless steel fully welded fabricated bowls
- 11-1/2" water depth
- 1, 2, 3 and 4 bowl models available
- Special depth bowls
- Custom sizes available

BACKSPLASH:

- 8" high
- Custom heights available

SHORT FORM SPECIFICATIONS:

Duke Sinks - Deluxe - 16" x 21" x 11-1/2"D Bowl - Two Drainboards. Shall be constructed of 16 gauge, 300 Series stainless steel with 1-3/4" rolled edge on front and both ends and 8" high backsplash, from top of roll, including 2" turnback at 45°, with 3/4" turn-up at wall side, as standard. All welded parts to be ground and polished to the original finish. All vertical and horizontal corners are covered on 1/4" or larger radius with intersections spherical and polished. In two or three compartment sinks, partitions shall have double wall. Bottom of each compartment shall be die-stamped with tapered grooves at least 1/4" deep at drain depression to permit complete drainage. Compartment to be equipped with crumb cup strainer drain. Backsplash shall have 1" holes punched on 8" centers, 4" on center below top of splash (1-1/2" below turn-back) to accommodate standard faucets. Holes are centered over partitions on two and three compartment sinks. Rolled edges and splash are continuous with edge and splash on sink, with all horizontal and vertical corners covered on 1/4" or larger radius. Drainboards (18", 24", 36" lengths) shall be welded integrally to sink. Sinks to be mounted on four 1-5/8" OD 16 gauge stainless steel tubular legs with adjustable stainless steel feet. Legs are mounted on stainless steel gussets.

Aerohot®

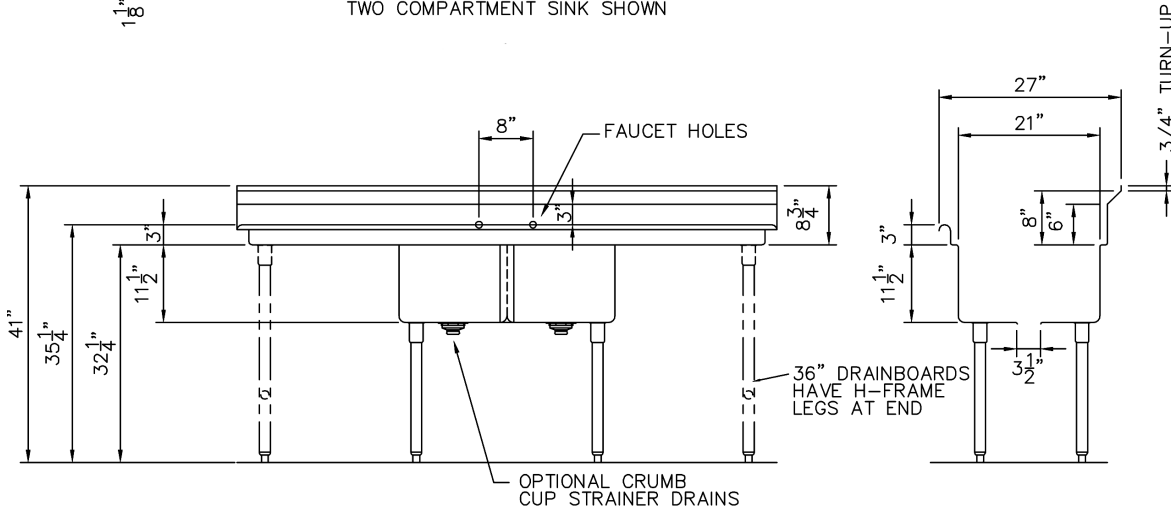
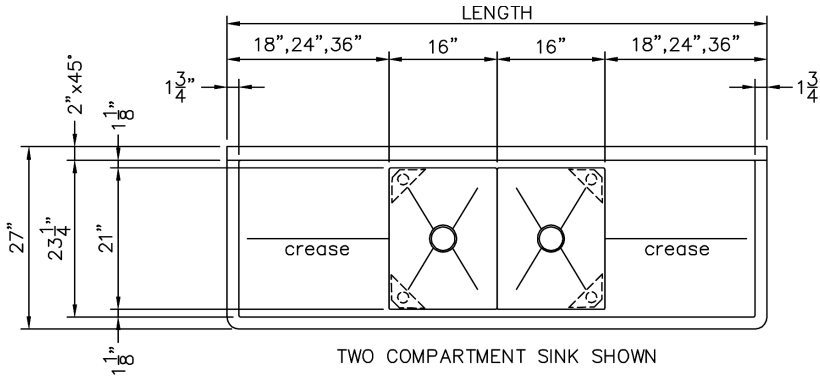
A.I.A. File No. 35-C-13

Catalog No. DKS-16D2DB

DUKE - SINKS - DELUXE - TWO DRAINBOARDS - 16

DUKE SINKS - DELUXE - 16" x 21" x 11-1/2" D BOWL, TWO DRAINBOARDS

- 161-218 (1) 16" comp. w/18"L drainboards
- 161-224 (1) 16" comp. w/24"L drainboards
- 161-236 (1) 16" comp. w/36"L drainboards
- 162-218 (2) 16" comp. w/18"L drainboards
- 162-224 (2) 16" comp. w/24"L drainboards
- 162-236 (2) 16" comp. w/36"L drainboards
- 163-218 (3) 16" comp. w/18"L drainboards
- 163-224 (3) 16" comp. w/24"L drainboards
- 163-236 (3) 16" comp. w/36"L drainboards
- 164-218 (4) 16" comp. w/18"L drainboards
- 164-224 (4) 16" comp. w/24"L drainboards
- 164-236 (4) 16" comp. w/36"L drainboards



DIMENSIONS:

Model	# Comp.	Length		Depth		Height		Cube ft. crated	Weight	
		in.	cm	in.	cm	in.	cm		lbs.	kg
161-218	1	52	132.1	27	78.7	41	104.1	51.0	85	38.6
161-224	1	64	162.6	27	78.7	41	104.1	61.5	95	43.2
161-236	1	88	223.5	27	78.7	41	104.1	82.6	105	47.7
162-218	2	68	172.7	27	78.7	41	104.1	65.1	100	45.5
162-224	2	80	203.2	27	78.7	41	104.1	75.6	110	50.0
162-236	2	104	264.2	27	78.7	41	104.1	96.7	120	54.6
163-218	3	84	213.4	27	78.7	41	104.1	79.1	121	55.0
163-224	3	96	243.8	27	78.7	41	104.1	89.7	130	59.1
163-236	3	120	304.8	27	78.7	41	104.1	110.8	140	63.6
164-218	4	100	254.0	27	78.7	41	104.1	93.2	140	63.6
164-224	4	112	284.5	27	78.7	41	104.1	103.7	150	68.2
164-236	4	136	345.4	27	78.7	41	104.1	124.8	160	72.7



"Your Solutions Partner"

DUKE MANUFACTURING CO.
2305 N. Broadway
St. Louis, MO 63102

800.735.3853 Toll Free
314.231.1130 In Missouri
314.231.5074 Fax
www.dukemfg.com

11/00

Specifications subject to change

Printed in U.S.A.
© 2000, Duke Manufacturing Co.