

Duke Specifications



"Your Solutions Partner"

F.O.B. St. Louis, Missouri 63102



241-1DB

OPTIONS:

- Provisions for sink mounted pot rack and/or shelf - **SK-1**
- Stainless steel pot rack, 2-bar, riser mounted - **SK-2**
- Stainless steel 12" wide shelf, riser mounted - **SK-3**
- Poly board sink cover - **SK-4**
- Carving board, 3/4", H.D. poly - **SK-5**
- Z bracket for wall attachment - **SK-7**
- Waste trough furnished with 2" deep removable basket - **SK-8**
- High backsplash, up to 6" higher - **SK-9**
- Extra drainboard length - **SK-10**
- Stainless steel sink cover - **SK-13**
- Installation of disposal cone - **SK-14**
- Installation of disposal collar - **SK-15**
- Faucet hole revision - **SK-16**
- Working height revision - **SK-17**
- Stainless steel undershelf - **SK-18**
- Flanged bullet feet, stainless steel - **SK-19**
- Provision for pot washer - **SK-20**
- Provision for Hatco heater - **SK-21**
- Stainless steel welded leg assembly - **SK-22**
- Special depth sink bowl - **SK-24**
- Sink preparation for Undercounter Dishwasher (24" drainboard) - **SK-25**
- Column cutout - **SK-30**
- Splash cutout - **SK-31**
- Scrap block installed - **SK-34**
- Drainboard or bowl sidesplash - **SK-49**
- Scrap trough - **SK-50**
- Pass-through sill - **SK-51**
- Drainboard corner turn - **SK-54**
- Perforated basket to fit sink, stainless steel - **SK-57**
- Longitudinal crossrail - **SK-58**
- Vacuum breaker holes - **SK-61**
- Small switch bracket - **SK-62**
- Large control bracket - **SK-63**

AGENCY LISTING:



DUKE MANUFACTURING CO.
2305 N. Broadway
St. Louis, MO 63102

800.735.3853 Toll Free
314.231.1130 In Missouri
314.231.5074 Fax
www.dukemfg.com

PROJECT INFORMATION:

PROJECT: _____
ITEM: _____
QUANTITY: _____

MODEL:

Duke Sinks - Deluxe - 24" x 24" x 11-1/2"D bowl, one drainboard

- 241-124 R or L** (1) 24" comp. w/24"L drainboard
- 241-136 R or L** (1) 24" comp. w/36"L drainboard
- 242-124 R or L** (2) 24" comp. w/24"L drainboard
- 242-136 R or L** (2) 24" comp. w/36"L drainboard
- 243-124 R or L** (3) 24" comp. w/24"L drainboard
- 243-136 R or L** (3) 24" comp. w/36"L drainboard
- 244-124 R or L** (4) 24" comp. w/24"L drainboard
- 244-136 R or L** (4) 24" comp. w/36"L drainboard

GENERAL:

- 16 gauge, 300 Series stainless steel
- Ground and polished welded parts
- Stainless steel legs and feet

SINK COMPARTMENTS:

- 16 gauge stainless steel fully welded fabricated bowls
- 11-1/2" water depth
- 1, 2, 3 and 4 bowl models available
- Special depth bowls
- Custom sizes available

BACKSPLASH:

- 8" high
- Custom heights available

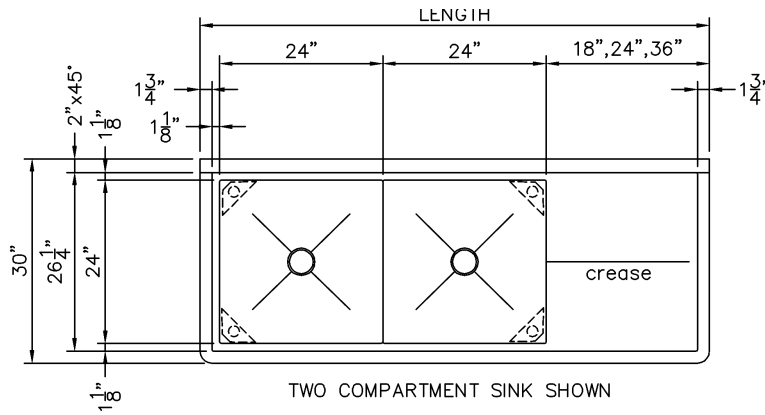
SHORT FORM SPECIFICATIONS:

Duke Sinks - Deluxe - 24" x 24" x 11-1/2"D Bowl - One Drainboard. Shall be constructed of 16 gauge, 300 Series stainless steel with 1-3/4" rolled edge on front and both ends and 8" high backsplash, from top of roll, including 2" turnback at 45°, with 3/4" turn-up at wall side, as standard. All welded parts to be ground and polished to the original finish. All vertical and horizontal corners are covered on 1/4" or larger radius with intersections spherical and polished. In two or three compartment sinks, partitions shall have double wall. Bottom of each compartment shall be die-stamped with tapered grooves at least 1/4" deep at drain depression to permit complete drainage. Backsplash shall have 1" holes punched on 8" centers, 4" on center below top of splash (1-1/2" below turnback) to accommodate standard faucets. Holes are centered over partitions on two and three compartment sinks. Rolled edges and splash are continuous with edge and splash on sink, with all horizontal and vertical corners covered on 1/4" or larger radius. Drainboards (24" and 36" lengths) shall be welded integrally to sink. Sinks to be mounted on four 1-5/8" OD 16 gauge stainless steel tubular legs with adjustable stainless steel feet. Legs are mounted on stainless steel gussets.

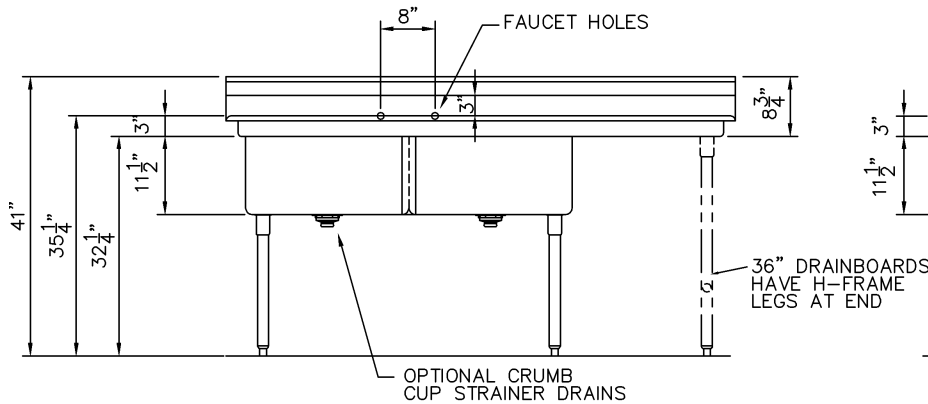
Aerohot®

DUKE SINKS - DELUXE - 24" x 24" x 11-1/2"D BOWL, ONE DRAINBOARD

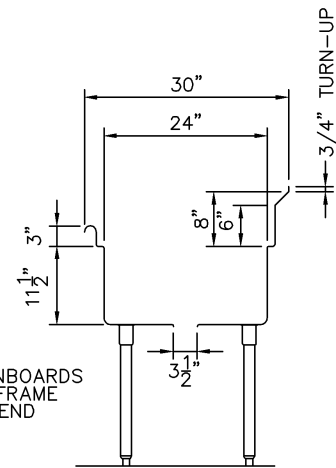
- 241-124 R or L (1) 24" comp. w/24"L drainboard
- 241-136 R or L (1) 24" comp. w/36"L drainboard
- 242-124 R or L (2) 24" comp. w/24"L drainboard
- 242-136 R or L (2) 24" comp. w/36"L drainboard
- 243-124 R or L (3) 24" comp. w/24"L drainboard
- 243-136 R or L (3) 24" comp. w/36"L drainboard
- 244-124 R or L (4) 24" comp. w/24"L drainboard
- 244-136 R or L (4) 24" comp. w/36"L drainboard



TOP VIEW



FRONT VIEW



SECTION VIEW

DIMENSIONS:

Model	# Comp.	Length		Depth		Height		Cube ft. crated	Weight	
		in.	cm	in.	cm	in.	cm		lbs.	kg
241-124 R or L	1	51	129.5	30	76.2	41	104.1	50.1	110	50.0
241-136 R or L	1	63	160.0	30	76.2	41	104.1	60.7	120	54.6
242-124 R or L	2	75	190.5	30	76.2	41	104.1	71.2	150	68.2
242-136 R or L	2	87	221.0	30	76.2	41	104.1	76.5	160	72.7
243-124 R or L	3	99	251.5	30	76.2	41	104.1	92.3	180	81.8
243-136 R or L	3	111	281.9	30	76.2	41	104.1	102.9	190	86.4
244-124 R or L	4	123	312.4	30	76.2	41	104.1	113.4	210	95.5
244-136 R or L	4	135	342.9	30	76.2	41	104.1	124.0	220	100.0



"Your Solutions Partner"

DUKE MANUFACTURING CO.
2305 N. Broadway
St. Louis, MO 63102

800.735.3853 Toll Free
314.231.1130 In Missouri
314.231.5074 Fax
www.dukemfg.com

Specifications subject to change

11/00

Printed in U.S.A.
© 2000, Duke Manufacturing Co.