



"Your Solutions Partner"

Specifications

F.O.B Sedalia, Missouri 65301



315-25
Shown with optional 3 bar tray slide

OPTIONS:

- Sliding doors - **A328-xPG/xSS**
- Door locks
- 220v - 50Hz compressor
- Condensate evaporator - **COND-EVAP**
- Serving shelves w/glass protector panels - **A956-460 - x**
- Glass display shelves - **A98x**
- Self Service Canopies - **TS530-xx, TS530-xx-1SN**
- Buffet shelves - **A83x**
- Adapter bars - **A513, A515, A516**
- Adapter panels - **A, B, C, D, E, F, G, H**
- Stainless steel carving boards - **A442-x-S/A445-xS**
- Wood carving boards - **A442-xW/A445-xW**
- Solid tray slides - **SOLID - FX/HD**
- 3 bar tray slides
- Kick plates
- 5" casters, 2 swivel w/locks - **AACA-SW**
- Die-stamped openings - 12" x 20" (Hot Food Style Top) - **AHFST**
- Stainless steel dish shelf - **A441-xS**
- Drop brackets on tray slide - **AHD-BRKT-3BTS**
- False bottom - perforated, stainless - **ACMOD-5, -6, -7**
- 8" deep liner
- Veneered plastic laminate panels on body
- Special powder coat painted body
- Body latches - **14695**

AGENCY LISTINGS:



DUKE MANUFACTURING CO.
2305 N. Broadway
St. Louis, MO 63102

800.735.3853 Toll Free
314-231-1130 In Missouri
314.231.5074 Fax
www.dukemfg.com

Approval Stamp(s):

PRODUCT INFORMATION:

PROJECT: _____
ITEM: _____
QUANTITY: _____

MODEL:

AeroServ Serving Systems Cold Pan Units - Mechanically Assisted Ice

- 315-25** 46" length unit/ 40" length pan
- 316-25** 60" length unit/54" length pan
- 327-25** 74" length unit/68" length pan

TOP:

- 20 gauge, 300 Series stainless steel

LINER:

- 18 gauge, 300 Series stainless steel - 5" deep
- Insulated on all four sides and bottom
- 1" cast brass drain and plug
- Condensing unit, refrigerant coil, controls, electric cord and plug - NEMA 5-15, R134A Refrigerant

BODY:

- Paint grip or stainless steel
- Choice of (12) powder coat paint colors (must choose one)
 - #217105 - Designer White
 - #217103 - Natural Almond
 - #217150 - Orange
 - #217154 - Racing Red
 - #217107 - Hollyberry Red
 - #217120 - Sky Blue
 - #217127 - Fence Green
 - #217152 - Stone Gray
 - #217102 - Silver Hammer
 - #217113 - Brown Kickplate
 - #217101 - Semi-Gloss Black
 - #217125 - Textured Black
- Flanged or channeled edges
- Welded together with local reinforcements
- Compressor compartment with removable louvered grille
- Mounted on 6" stainless steel legs with adjustable feet

SHORT FORM SPECIFICATIONS:

Duke AeroServ Serving Systems - Cold Pan Units - Mechanically Assisted Ice Cooled. Top shall be constructed of 20 gauge, 300 Series stainless steel flanged down into heavy gauge, 300 Series stainless steel pan, 5" deep. Liner shall be 19-7/8"W x 6" shorter than length of top, insulated on all four sides and bottom and equipped with 1" cast brass drain and plug. Equipped with refrigerant coil, condensing unit, controls and electric cord and plug. Compressor compartment covered by removable louvered grille. Body and shelves shall be formed of paint-grip steel with powder coat paint or stainless steel with integrally flanged or channeled edges for rigidity and structural strength. Each body individually welded together with local reinforcements as required. 6" polished stainless steel legs to be furnished. Must add "PG" to model number for Paint Grip Bodies, "SS" for Stainless steel bodies.

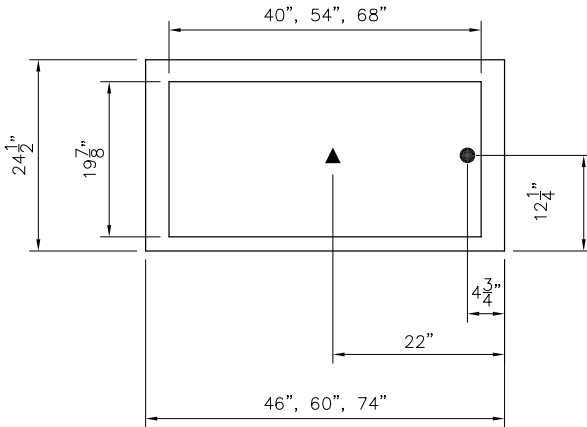
ASC-06



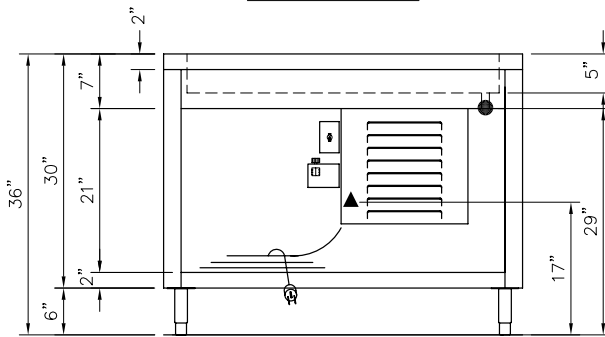
AEROSERV SERVING SYSTEMS
Cold Pan Units - Mechanically Cooled Assisted Ice

- ☐ 315-25 46" length unit / 40" length pan
- ☐ 316-25 60" length unit / 54" length pan
- ☐ 327-25 74" length unit / 74" length pan

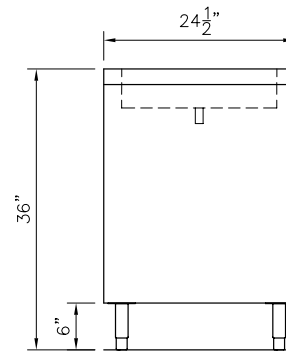
LEGEND	
▲	ELECTRIC CONNECTION POINT SINGLE PHASE
●	DRAIN LOCATION



TOP VIEW



FRONT VIEW



RIGHT SIDE VIEW

DIMENSIONS:

FREIGHT CLASS: 150

Model	Depth		Width		Height		Cube ft. crated	Weight		Cold Pan Length	
	in	cm	in.	cm	in.	cm		lbs	kg	in.	cm
315-25	46	116.8	24-1/2	62.2	36	91.4	37.7	220	100.0	40	101.6
316-25	60	152.4	24-1/2	62.2	36	91.4	47.9	284	129.1	54	137.2
327-25	74	188.0	24-1/2	62.2	36	91.4	58.1	349	158.6	68	172.1

ELECTRICAL SPECIFICATIONS

Model	120 Volt		HP
	Amps	NEMA	
315-25	2.7	5-15	1/5
316-25	6.0	5-15	1/4
327-25	6.0	5-15	1/4



DUKE MANUFACTURING CO.
 2305 N. Broadway
 St. Louis, MO 63102

800.735.3853 Toll Free
 314.231.5074 Fax
 www.dukemfg.com

"Your Solutions Partner"

Specification subject to change

06/08
 Printed in U.S.A.
 © 2008, Duke Manufacturing Co.