



"Your Solutions Partner"

# Specifications

F.O.B Sedalia, Missouri 65301



613Q-G1

### OPTIONS:

- Stainless steel interior
- 27" stainless steel angular legs
- Open leg base, stainless steel, w/rack guides
- Stainless steel back enclosure panel
- Seismic feet
- Field stacking kit
- 48" flexible disconnect, w/restraining device
- Down draft hood
- Flu deflector
- Casters
- Porcelain drip tray
- Extra oven racks - standard and deep depth
- Prison package - tamper proof screws, lexan hinged cover with lockable clasp
- Extended warranty

### AGENCY LISTINGS:



**DUKE MANUFACTURING CO.**  
2305 N. Broadway  
St. Louis, MO 63102

800.735.3853 Toll Free  
314-231-1130 In Missouri  
314.231.5074 Fax  
www.dukemfg.com

### Approval Stamp(s):

### PRODUCT INFORMATION:

PROJECT: \_\_\_\_\_

ITEM: \_\_\_\_\_

QUANTITY: \_\_\_\_\_

### MODEL:

### Duke Convection Ovens - "Q" Series Single Section - Standard Depth - Gas

- 613Q-G1** Single section, deep depth

### STANDARD FEATURES:

- 6 racks/13 rack positions
- Porcelain interior finish
- 50/50 stainless steel doors
- Double pane glass both doors
- 27" angular painted legs

### OVEN SECTION:

- Stainless steel front, sides and top
- 1-1/2" insulation on bottom, sides and back
- 3" insulation on top

### OVEN CONTROLS:

- "V" - Basic snap action thermostat (200° - 500°F), 60 minute electric dial timer with continuous sound buzzer, 2-speed fan
- "XX" - Solid state digital time and temperature controls, 12-hour countdown timer, **Cook and Hold** feature, 2-speed fan, Pulse fan capability

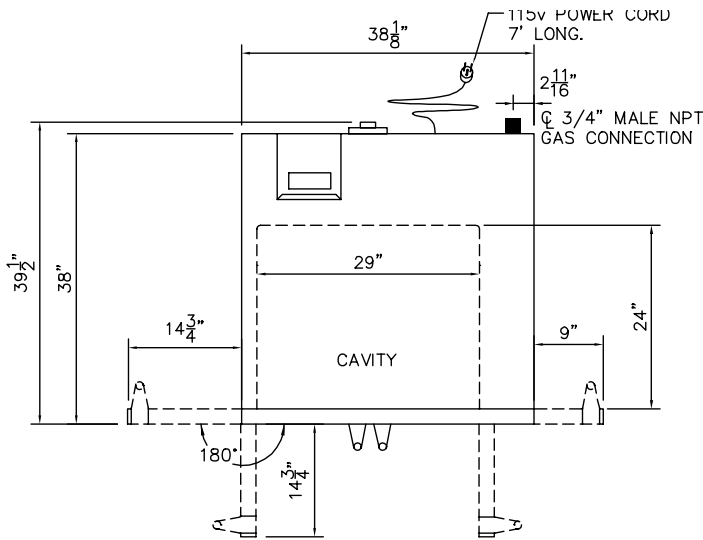
### SHORT FORM SPECIFICATIONS:

**Duke Convection Ovens - "Q" Series -Gas - Single Section - Standard Depth.** Front, sides, top, door, interior door liners and door gaskets shall be constructed of stainless steel. Porcelain interior finish, with 6 racks and 13 rack positions, and 7/8" coved corners. Unit shall have independently opening doors and 27" angular painted legs with adjustable feet. Two speed blower motor. Unit shall have 50/50 stainless steel doors with double pane glass in both doors. Doors shall be mounted on full length solid steel shafts and bronze bushings. Interior lighting to be (2) 50 watt, 155v bulbs. Bottom, sides and back shall be fully insulated with 1-1/2" thick insulation, top to have 3" thick insulation. Units shall have 40,000 BTU input, electronic relight systems. 1/2 HP two speed blower motor, 115v, ON-OFF-COOL Down switch, manual gas shut-off on control panel. Built-in gas pressure regulator. Overall dimensions of unit shall be: 60" height, including 27" legs, 38" width, depth of 39-1/2" and cavity dimensions of 29"W x 24"H x 24"D.

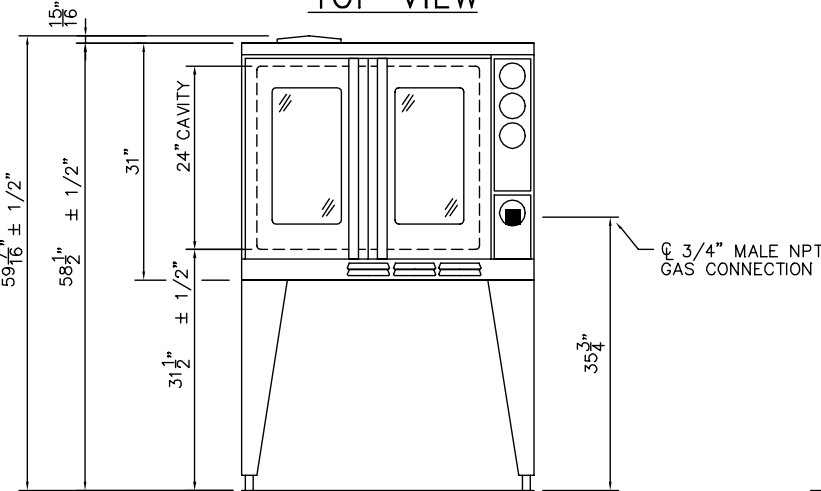
**DUKE CONVECTION OVENS**

"Q" SERIES - SINGLE SECTION - GAS - STANDARD DEPTH

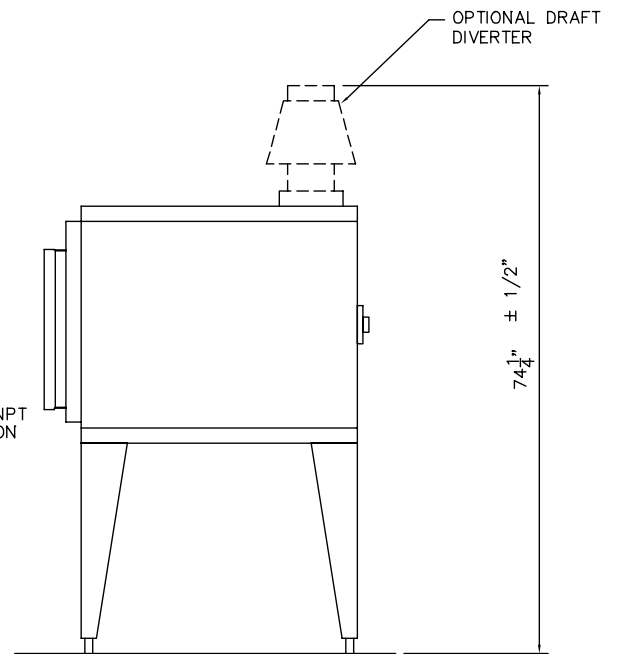
□ **613Q-G1** Single section, standard depth



**TOP VIEW**



**FRONT VIEW**



**RIGHT SIDE VIEW**

Gas Specifications	
	BTU/Hour
<b>613Q-G1</b>	40,000
Regulated gas pressure required 3.5" WC natural /10" WC propane	
Combustible surface clearance - 1" side, 1" rear, 6" floor	
■ - Gas connection	
3/4" Gas connection	
Electrical requirements: 3.5 Amps/ 115V	
Standard 115V units supplied with 5' cord and plug	

DIMENSIONS:

FREIGHT CLASS: 85

Model	Depth front view		Width		Height top view		Cube ft. crated	Weight	
	in	cm	in.	cm	in.	cm		lbs	kg
<b>613Q-G1</b>	39-1/2	100.3	38	96.5	60	152.4	59.6	540	245.5

Specify gas type

Specify altitude over 2000 feet



"Your Solutions Partner"

**DUKE MANUFACTURING CO.**  
2305 N. Broadway  
St. Louis, MO 63102

800.735.3853 Toll Free  
314.231.5074 Fax  
www.dukemfg.com

Specification subject to change

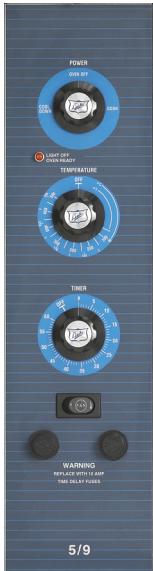
06/08  
Printed in U.S.A.  
© 2008, Duke Manufacturing Co.



"Your Solutions Partner"

# Specifications

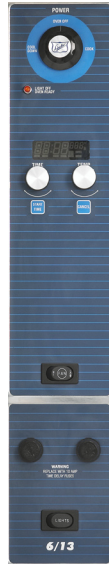
F.O.B Sedalia, Missouri 65301



V Control



ZZ Control



XX Control

## Approval Stamp(s):

### PRODUCT INFORMATION:

PROJECT: \_\_\_\_\_

ITEM: \_\_\_\_\_

QUANTITY: \_\_\_\_\_

MODEL:

### Duke Convection Ovens Accessories and Options

#### OVEN CONTROLS:

- "V" - Basic snap action thermostat (200° - 500°F), 60 minute electric dial timer with continuous sounding buzzer, 2-speed fan
- "XX" - Solid state digital time and temperature controls, 12-hour countdown timer, **Cook and Hold** feature, 2-speed fan, Pulse fan capability
- "ZZ" - 10 programmable menu buttons, 5-rack ID timers, computerized digital time and temperature controls, Cook and Hold feature, 2-speed fan, Pulse Fan capacity - **Not Available On Gas Ovens**

#### OPTIONS:

##### *For Gas and Electric Convection Ovens*

- Stainless steel interior
- 8" or 27" stainless steel angular legs
- Open leg base, stainless steel, w/rack guides
- Double stacked ovens - shipped assembled
- Stainless steel back enclosure panel
- Casters
- Seismic feet
- Field stacking kit
- Porcelain drip tray
- Extra oven racks - standard and deep depth
- Prison package - tamper proof screws, lexan hinged covers with lockable clasp
- Extended warranty

##### *For Gas Ovens Only*

- 48" flexible disconnect, with restraining device
- Down draft hood
- Flue deflector
- Common gas manifold

##### *For Electric Ovens Only*

- High voltage - 380/415/440/480

#### SHORT FORM SPECIFICATIONS:

**Duke Convection Ovens - Accessories and Options.** Three (3) control panels for electric 613, 613Q & 59-E series ovens, 2 oven control panels for gas 613 & 613Q series oven. Only "V" oven controls for E101 and E102 series ovens. Baking Station and Baking Centers available with "XX" and "ZZ" control panels. See above for specific options regarding gas and electric convection ovens.

#### AGENCY LISTINGS:



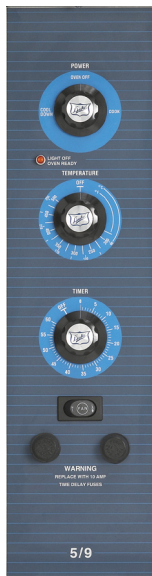
**DUKE MANUFACTURING CO.**  
2305 N. Broadway  
St. Louis, MO 63102

800.735.3853 Toll Free  
314-231-1130 In Missouri  
314.231.5074 Fax  
www.dukemfg.com

## DUKE CONVECTION OVENS ACCESSORIES AND OPTIONS

### OVEN CONTROLS:

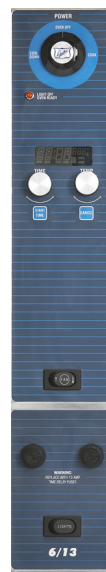
- "V" - Basic snap action thermostat (200° - 500°F), 60 minute electric dial timer with continuous sounding buzzer, 2-speed fan
- "XX" - Solid state digital time and temperature controls, 12-hour countdown timer, **Cook and Hold** feature, 2-speed fan, Pulse fan capability
- "ZZ" - 10 programmable menu buttons, 5-rack ID timers, computerized digital time and temperature controls, Cook and Hold feature, 2-speed fan, Pulse Fan capacity



V Control



ZZ Control



XX Control



"Your Solutions Partner"

DUKE MANUFACTURING CO.  
2305 N. Broadway  
St. Louis, MO 63102

800.735.3853 Toll Free  
314.231.5074 Fax  
www.dukemfg.com

Specification subject to change

06/08  
Printed in U.S.A  
© 2008, Duke Manufacturing Co.