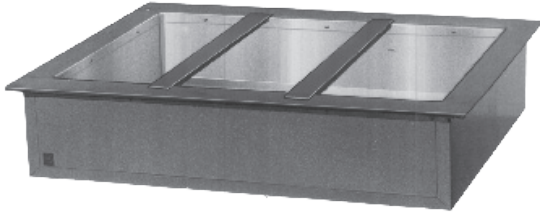




Specifications

F.O.B Sedalia, Missouri 65301



OPTIONS:

- Sectional False Bottom
- Hot food style top
- Adapter panels
- Designer Foodshields
- Adapter bars

AGENCY LISTING:



DUKE MANUFACTURING CO.
 2305 N. Broadway
 St. Louis, MO 63102

800.735.3853 Toll Free
 314.231.5074 Fax
 www.dukemfg.com

Approval Stamp(s):

PRODUCT INFORMATION:

PROJECT: _____
 ITEM: _____
 QUANTITY: _____

MODEL:

Drop-Ins - Cold Pan - Ice Cooled - 5" Deep Liner

- ADI-1I** Holds (1) 4" Deep 12" x 20" pan
- ADI-2I** Holds (2) 4" Deep 12" x 20" pans
- ADI-3I** Holds (3) 4" Deep 12" x 20" pans
- ADI-4I** Holds (4) 4" Deep 12" x 20" pans
- ADI-5I** Holds (5) 4" Deep 12" x 20" pans
- ADI-6I** Holds (6) 4" Deep 12" x 20" pans

TOP RIM:

- Heavy gauge, 300 Series stainless steel
- Overhang on front, back and ends w/locking tabs
- Reinforced with heavy gauge steel angle
- Vinyl foam gasket as sealant

LINER:

- 300 Series stainless steel cold pan
- 5" deep, 19-7/8" front to back
- 1" cast brass drain and plug
- Adapter bars for full size pans included

EXTERIOR HOUSING

- Heavy gauge paint grip steel

SHORT FORM SPECIFICATIONS:

Duke Drop-Ins - Cold Pan - Ice Cooled - 5" Deep Liner Top flange of heavy gauge 300 series s/s with overhang on 4 sides, s/s top and interior liner, heavy gauge paint grip steel exterior housing, 5" deep liner, with drain, adapter bars for full size pans furnished.

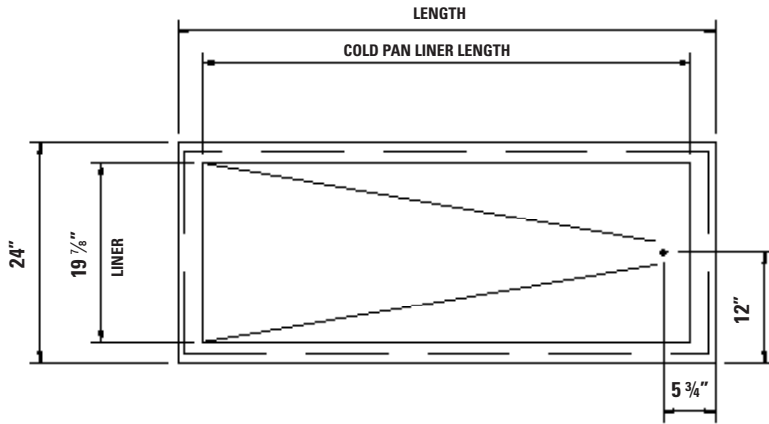


MODEL:

**Drop-Ins - Cold Pan
Ice Cooled- 5" Deep Liner**

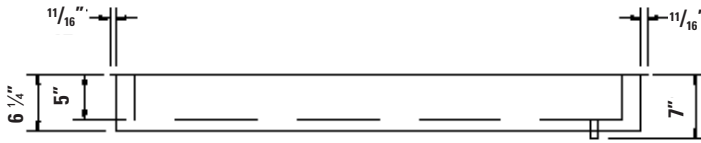
- ADI-1I (1) 4" Deep 12" x 20" pan
- ADI-2I (2) 4" Deep 12" x 20" pans
- ADI-3I (3) 4" Deep 12" x 20" pans
- ADI-4I (4) 4" Deep 12" x 20" pans
- ADI-5I (5) 4" Deep 12" x 20" pans
- ADI-6I (6) 4" Deep 12" x 20" pans

LEGEND	
●	DRAIN LOCATION

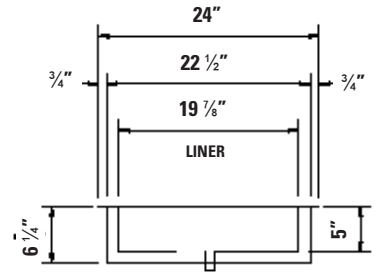


ADI-4I UNIT SHOWN

TOP VIEW



FRONT VIEW



RIGHT SIDE VIEW

DIMENSIONS - Liners are 19-7/8" (50.6 cm) W; cutouts 23" (58.4cm) W

FREIGHT CLASS: 100

Model	Length		Width		Height		Cube ft crated	Adapter Bars	Weight		Cold Pan - L		Cutout - L	
	in.	cm	in	cm	in	cm			in.	cm	in.	cm	in.	cm
ADI-1I	18	45.7	24	61.0	6-1/4	15.9	5.6	0	70	31.8	12	30.5	17	44.5
ADI-2I	32	81.3	24	61.0	6-1/4	15.9	8.8	1	95	43.2	26	66.0	31	80.0
ADI-3I	46	116.8	24	61.0	6-1/4	15.9	12.0	2	130	59.1	40	101.6	45	115.6
ADI-4I	60	152.4	24	61.0	6-1/4	15.9	15.2	3	175	79.6	54	137.2	59	151.1
ADI-5I	74	188.0	24	61.0	6-1/4	15.9	18.5	4	220	100.0	68	172.7	73	186.7
ADI-6I	88	223.5	24	61.0	6-1/4	15.9	21.7	5	260	118.2	82	208.3	87	222.3



DUKE MANUFACTURING CO.
2305 N. Broadway
St. Louis, MO 63102

800.735.3853 Toll Free
800.231.1130 In Missouri
314.231.5074 Fax
www.dukemfg.com

Specification subject to change