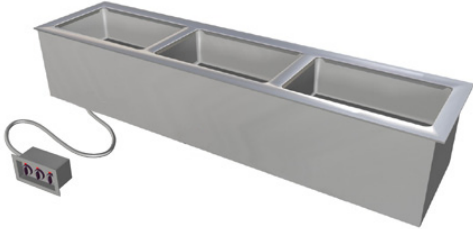




Specifications

F.O.B Sedalia, Missouri 65301



ADI-3ESL-SW

OPTIONS:

- 3 phase wiring (except ADI-1ESL-SW)
- Individual valves
- Mainifold drains
- Master valve
- Designer Foodshields
- Telescope covers
- Adapter Plates
- Adapter Bars

Approval Stamp(s):

PRODUCT INFORMATION:

PROJECT: _____

ITEM: _____

QUANTITY: _____

MODEL:

Drop-Ins- Slimline

Hot Food - Electric - Sealed Well

- ADI-1ESL-SW 24 1/4"L x 17 1/4"W x 12 3/4"H
- ADI-2ESL-SW 46 1/4"L x 17 1/4"W x 12 3/4"H
- ADI-3ESL-SW 68 1/4"L x 17 1/4"W x 12 3/4"H

TOP RIM:

- Heavy gauge, 300 Series stainless steel
- Overhang on front, back and ends w/locking tabs
- Vinyl foam gasket as sealant
- Die-stamped openings - 12-1/16" x 20-1/16"

HEAT COMPARTMENTS:

- 6-1/4" deep stainless steel liner, wet or dry operation
- Voltage/Phase/Watt
 - 120 Volt/1 Ph/750 watt element
 - 208 Volt/1 Ph/900 watt element
 - 240 Volt/1 Ph/1200 watt element
- Insulated bottom
- Individual open drains

CONTROL PANEL:

- Stainless steel face plate, plastic knobs
- UL approved
- Infinite switch controls in remote box

EXTERIOR HOUSING

- Heavy gauge paint grip steel

AGENCY LISTING:



DUKE MANUFACTURING CO.
 2305 N. Broadway
 St. Louis, MO 63102

800.735.3853 Toll Free
 314.231.5074 Fax
 www.dukemfg.com

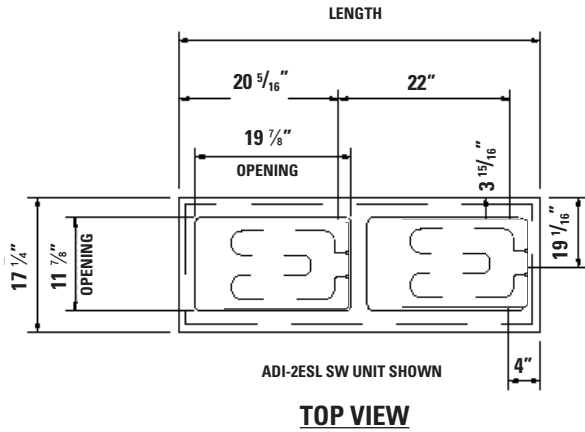
SHORT FORM SPECIFICATIONS:

Duke Drop-In - Slimline - Hot Food - Electric - Sealed Wells. Top flange of heavy gauge 300 series s/s with overhang on 4 sides, 12-1/16" x 20-1/16" die-stamped hot food openings, 6-1/4" deep liner, fully insulated, with remote control panel, s/s top and interior liner, heavy gauge paint grip steel exterior housing, infinite switch controls, sealed wells with drains

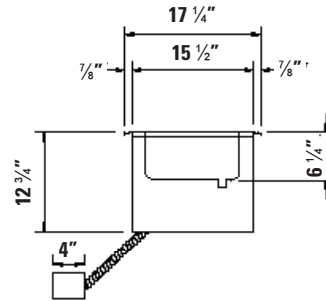
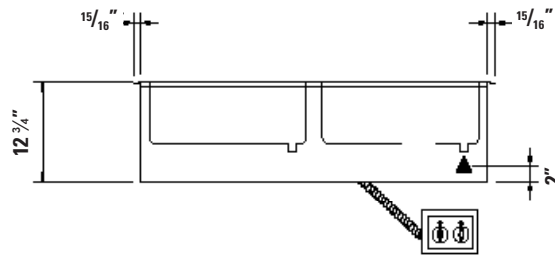


**DROP-INS - SLIMLINE
HOT FOOD - ELECTRIC - SEALED WELL**

- ADI-1ESL-SW 24 1/4"L x 17 1/4"W x 12 3/4"H
- ADI-2ESL-SW 46 1/4"L x 17 1/4"W x 12 3/4"H
- ADI-3ESL-SW 68 1/4"L x 17 1/4"W x 12 3/4"H



LEGEND	
▲	- ELECTRICAL CONNECTION
●	- DRAIN CONNECTION
Allow 4" gap between controls and unit	



DIMENSIONS

FREIGHT CLASS: 100

Model	Length		Width		Height		Top Openings	Cutout Length		Cutout Width		Control Panels	Cube ft. crated	Weight	
	in.	cm	in.	cm	in.	cm		in.	cm	in.	cm			lbs.	kg.
ADI-1ESL-SW	24 1/4	61.6	17 1/4	43.8	12 3/4	32.4	1	23	58.4	16	40.6	1	7.7	80	36.4
ADI-2ESL-SW	46 1/4	117.5	17 1/4	43.8	12 3/4	32.4	2	45	114.3	16	40.6	1	13.3	135	61.4
ADI-3ESL-SW	68 1/4	173.1	17 1/4	43.8	12 3/4	32.4	3	67	170.2	16	40.6	1	19.0	185	84.1

REMOTE CONTROL CUTOUT IS 9" X 4-3/8"

ELECTRICAL SPECIFICATIONS: (Consult factory for 3-phase electrical requirements and other options)

Model	120 Volt/750 Watt		208 Volt/900 Watt		240 Volt/1200 Watt	
	watts	amps	watts	amps	watts	amps
ADI-1ESL-SW	750	6.3	900	4.3	1200	5.0
ADI-2ESL-SW	1500	12.5	1800	8.7	2400	10.0
ADI-3ESL-SW	2250	18.8	2700	13.0	3600	15.0



DUKE MANUFACTURING CO.
2305 N. Broadway
St. Louis, MO 63102

800.735.3853 Toll Free
800.231.1130 In Missouri
314.231.5074 Fax
www.dukemfg.com

Specification subject to change