



Specifications

F.O.B Sedalia, Missouri 65301



ADI-3MDSL
(optional louvered grille shown)

OPTIONS:

- Condensate Evaporator
- 220V - 50Hz compressor
- Hot food style top
- Stainless steel louvered grille
- False Bottom
- Glass display shelves
- Buffet shelves
- Serving shelves
- Self-service canopies
- Stainless steel adapter panels
- Adapter bars

AGENCY LISTING:



DUKE MANUFACTURING CO.
2305 N. Broadway
St. Louis, MO 63102

800.735.3853 Toll Free
314.231.1130 In Missouri
314.231.5074 Fax
www.dukemfg.com

Approval Stamp(s):

PRODUCT INFORMATION:

PROJECT: _____
ITEM: _____
QUANTITY: _____

MODEL:

Drop-Ins - Slimline - Cold Pan Mechanically Assisted Ice Pans - 8" Deep

- ADI-2MDSL (2) 6" Deep 12" x 20" pan
- ADI-3MDSL (3) 6" Deep 12" x 20" pan

TOP RIM:

- Heavy gauge, 300 Series stainless steel
- Overhang on all four sides
- Reinforced with heavy gauge steel angle
- Vinyl foam gasket as sealant

LINER:

- 300 Series stainless steel cold pan
- 8" deep 13-5/8" front to back
- 1" cast brass drain and plug
- Adapter bars for full size pans included

REFRIGERATION:

- Copper coils attached to sides of liner - R134A refrigerant
- Air cooled condensing unit, in center of unit
- Open angle-iron suspended compressor compartment
- Remote mounted on/off switch with stainless steel face plate
- 6' cord and plug - NEMA 5-15
- Five year warranty on compressor motor

EXTERIOR HOUSING

- Heavy gauge paint grip steel body

SHORT FORM SPECIFICATIONS:

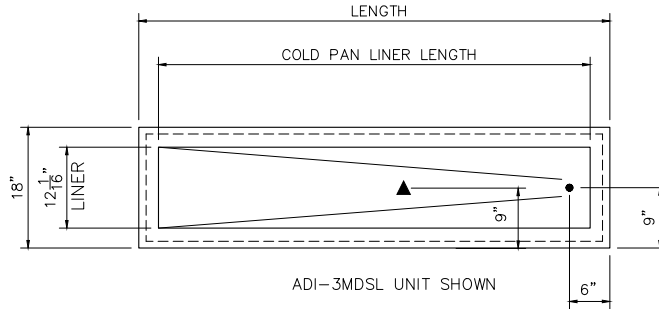
Duke Drop-Ins - Slimline - Cold Pan - Mechanically Assisted Ice Pans - 8" Deep. Top rim shall be constructed of heavy gauge, 300 Series stainless steel. Top rim shall have overhang on all four sides and be reinforced by heavy gauge steel angle with vinyl foam gasket as sealant with top surface. Top shall be cut out, flanged down and attached to heavy gauge, 300 series stainless steel liner, 8" deep. Liner 11-7/8" front to back and 6" shorter than length of top. Shall be insulated on all four sides and bottom, and equipped with 1" cast brass drain and plug. Adapter bars furnished for full size pans. Units refrigerated by copper coils attached to exterior sides of liner, using R134A refrigerant. Compressor compartment, located in center of unit, to have open angle-iron base to support air cooled condensing unit of adequate size. Remote mounted on/off switch and 6" cord with plug provided. Entire unit factory tested, with five year warranty on compressor motor only. Exterior constructed of heavy gauge steel. Cutout for remote 4-1/8"L x 2-3/16W.



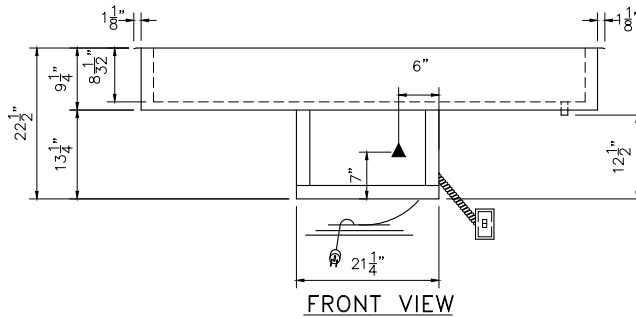
MODEL:
Drop-Ins - Slimline - Cold Pan
Mechanically Assisted Ice Pans - 8" Deep

- ADI-2MDSL (2) 6" Deep 12" x 20" pans
- ADI-3MDSL (3) 6" Deep 12" x 20" pans

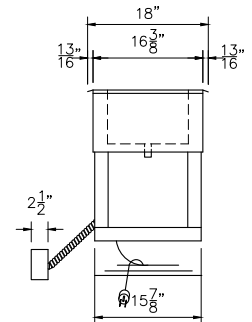
LEGEND	
▲	- ELECTRICAL CONNECTION
●	- DRAIN CONNECTION



TOP VIEW



FRONT VIEW



RIGHT SIDE VIEW

DIMENSIONS - Liners are 11-7/8" (34.7cm) W; cutouts 16-3/4" (42.3cm) W

FREIGHT CLASS: 100

Model	Length		Width		Height		Cube ft crated	Pan Openings	Adapter Bars	Weight		Cold Pan - L		Cutout - L	
	in	cm	in	cm	in	cm				lbs.	kg	in	cm	in	cm
ADI-2MDSL	48 1/4	122.6	18	45.7	22 1/2	57.2	20.2	2	1	165	75.0	42 1/4	107.3	47	119.4
ADI-3MDSL	70 1/4	178.4	18	45.7	22 1/2	57.2	28.4	3	2	225	102.3	64 1/4	163.2	69	175.3

REMOTE CONTROL CUTOUT IS 4-1/8" H X 2-3/16" W

ELECTRICAL SPECIFICATIONS

Model	120 Volt	
	Amps	HP
ADI-2MDSL	4.2	1/5
ADI-3MDSL	4.2	1/5

DUKE MANUFACTURING CO.
 2305 N. Broadway
 St. Louis, MO 63102

800.735.3853 Toll Free
 800.231.1130 In Missouri
 314.231.5074 Fax
 www.dukemfg.com



Specification subject to change