



# Specifications

F.O.B Sedalia, Missouri 65301



### OPTIONS:

- Condensate Evaporator - COND-EVAP
- 220V - 50Hz compressor
- Remote installation of compressor
- Stainless steel louvered grille
- Designer Foodshields

### AGENCY LISTING:



**DUKE MANUFACTURING CO.**  
 2305 N. Broadway  
 St. Louis, MO 63102

800.735.3853 Toll Free  
 314.231.5074 Fax  
 www.dukemfg.com

## Approval Stamp(s):

### PRODUCT INFORMATION:

PROJECT: \_\_\_\_\_  
 ITEM: \_\_\_\_\_  
 QUANTITY: \_\_\_\_\_

### MODEL:

### Drop-Ins - Frost Top Units

- ADI-2FT** 32" length 22-1/4"L surface
- ADI-3FT** 46" length 36-1/4"L surface
- ADI-4FT** 60" length 50-1/4"L surface
- ADI-5FT** 74" length 64-1/4"L surface
- ADI-6FT** 88" length 78-1/4"L surface

### TOP RIM:

- Heavy gauge, 300 Series stainless steel
- Overhang on front, back and ends w/locking tabs
- Reinforced with heavy gauge steel angle
- Vinyl foam gasket as sealant

### FROST TOP:

- Surface is stainless steel refrigeration platform
- Elevated "1" above counter top
- Top flanged down on all four sides
- Attached to condensate trough
- 1" cast brass drain and plug

### REFRIGERATION

- Copper coils attached to underside of Frost Top - R134A refrigerant
- Sealed and insulated with 1" urethane foam
- Open angle iron suspended compressor compartment
- Air cooled 120 volt condensing unit
- Remote mounted on/off switch with stainless steel face plate
- 6' cord and plug - NEMA 5-15
- Five year warranty on compressor motor

### BODY

- Heavy gauge paint grip steel

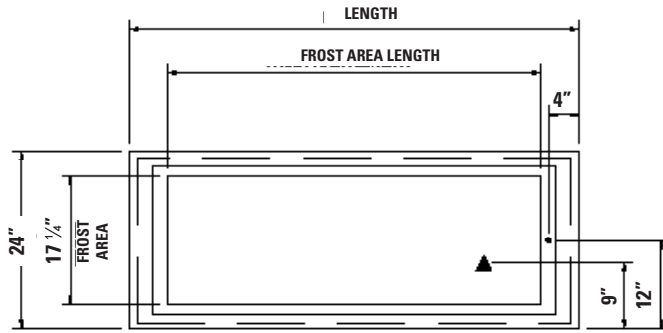
### SHORT FORM SPECIFICATIONS:

**Duke Drop-Ins - Frost Top Units.** Top flange of heavy gauge 300 series s/s with overhang on 4 sides. Frost top flanged down on all sides to condensate trough w/ drain. Frost area elevated 1" above counter top. Heavy gauge paint grip steel exterior housing, remote mounted on/off switch, cord and plug. Note: Do not fully enclose compressor area. Two unrestricted openings of no less than 200 sq. inches required in cabinet for proper cooling.



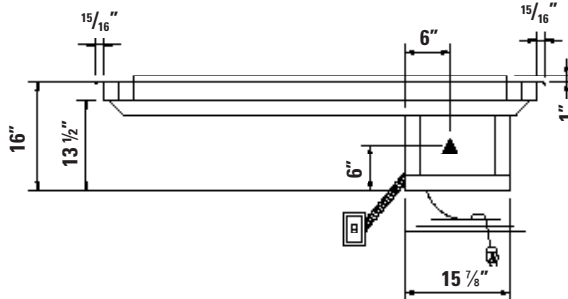
MODEL:  
**Drop-Ins - Cold Pan**  
**Frost Top Units**

- ADI-2FT 32" length 22-1/4"L surface
- ADI-3FT 46" length 36-1/4"L surface
- ADI-4FT 60" length 50-1/4"L surface
- ADI-5FT 74" length 64-1/4"L surface
- ADI-6FT 88" length 78-1/4"L surface

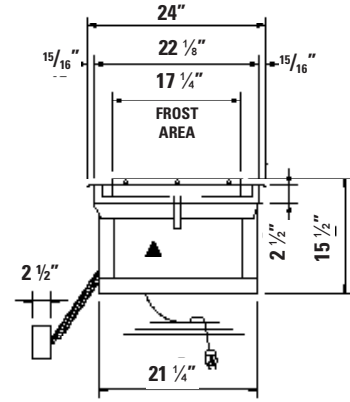


ADI-4FT UNIT SHOWN

**TOP VIEW**



**FRONT VIEW**



**RIGHT SIDE VIEW**

LEGEND	
▲	- ELECTRICAL CONNECTION
●	- DRAIN LOCATION

DIMENSIONS - Display surface 17-1/4" (43.8 cm) W

FREIGHT CLASS: 100

Model	Length		Width		Height		Cube ft crated	Weight		Display Surface - L		Display Surface - W		Fits Cutout
	in.	cm	in.	cm	in.	cm		in.	kg	in.	cm	in.	cm	
ADI-2FT	32	81.3	24	61.0	16	40.6	13.9	175	79.6	22 1/4	56.5	17 1/4	43.8	31"L/23"W
ADI-3FT	46	116.8	24	61.0	16	40.6	19.0	235	106.8	36 1/4	92.1	17 1/4	43.8	45"L/23"W
ADI-4FT	60	152.4	24	61.0	16	40.6	24.1	300	136.4	50 1/4	127.6	17 1/4	43.8	59"L/23"W
ADI-5FT	74	188.0	24	61.0	16	40.6	29.2	365	165.9	64 1/4	163.2	17 1/4	43.8	73"L/23"W
ADI-6FT	88	223.5	24	61.0	16	40.6	34.3	420	190.9	78 1/4	198.8	17 1/4	43.8	87"L/23"W

REMOTE CONTROL CUTOUT IS 4-1/8" H X 2-3/16" W

**ELECTRICAL SPECIFICATIONS:**

Model	120 Volt	
	Amps	HP
ADI-2FT	5.2	1/4
ADI-3FT	5.2	1/4
ADI-4FT	5.2	1/4
ADI-5FT	5.2	1/4
ADI-6FT	5.2	1/4

**DUKE MANUFACTURING CO.**  
 2305 N. Broadway  
 St. Louis, MO 63102

800.735.3853 Toll Free  
 800.231.1130 In Missouri  
 314.231.5074 Fax  
[www.dukemfg.com](http://www.dukemfg.com)

