



Specifications

F.O.B Sedalia, Missouri 65301



ADI-3ISL

OPTIONS:

- Hot food style top
- Sectional false bottom
- Globe valve and drain line
- Foodshields
- Adapter panels
- Adapter bars

Approval Stamp(s):

PRODUCT INFORMATION:

PROJECT: _____

ITEM: _____

QUANTITY: _____

MODEL:

Drop-Ins - Slimline

Cold Pan - Ice Cooled - 5" Deep Liner

- ADI-1ISL Holds (1) 4" Deep 12" x 20" pan
- ADI-2ISL Holds (2) 4" Deep 12" x 20" pan
- ADI-3ISL Holds (3) 4" Deep 12" x 20" pan

TOP RIM:

- Heavy gauge, 300 Series stainless steel
- Overhang on ends
- 7/8" overhang on front and back
- Reinforced with heavy gauge steel angle
- Vinyl foam gasket as sealant

LINER:

- Heavy gauge 300 Series stainless steel 5" deep
- Insulated on all four sides and bottom
- 11-7/8" front to back - 6" shorter than length of top
- 1" cast brass drain and plug
- Adapter bars for full size pans included

EXTERIOR HOUSING

- Heavy gauge paint grip steel

AGENCY LISTING:



DUKE MANUFACTURING CO.

2305 N. Broadway
St. Louis, MO 63102

800.735.3853 Toll Free
314.231.1130 In Missouri
314.231.5074 Fax
www.dukemfg.com

SHORT FORM SPECIFICATIONS:

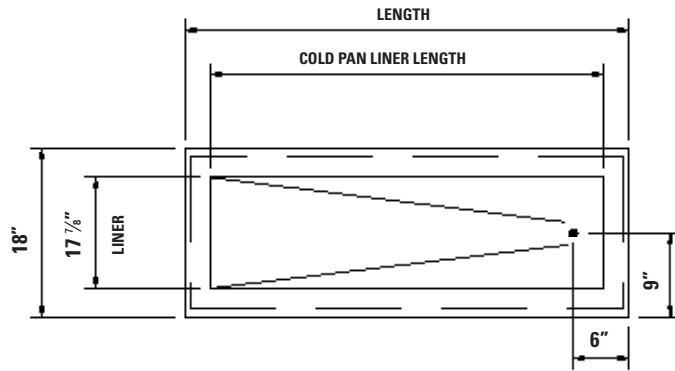
Duke Drop-Ins - Slimline - Cold Pan - Ice Cooled - 5" Deep Liner.

Top flange of heavy gauge 300 series s/s with overhang on 4 sides, s/s top and interior liner, heavy gauge paint grip steel exterior housing, 5" deep liner, with drain, adapter bars for full size pans furnished.



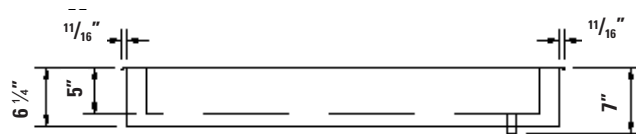
MODEL:
Drop-Ins - Slimline
Cold Pan - Ice Cooled- 5" Deep Liner

- ADI-1ISL (1) 4" Deep 12" x 20" pan
- ADI-2ISL (2) 4" Deep 12" x 20" pan
- ADI-3ISL (3) 4" Deep 12" x 20" pa

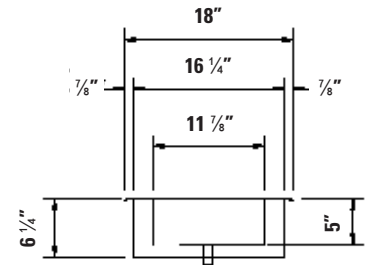


TOP VIEW

LEGEND	
●	- DRAIN CONNECTION



FRONT VIEW



RIGHT SIDE VIEW

DIMENSIONS - Liners are 11-7/8" (30.3cm) W; cutouts 16-3/4" (42.3cm) W

FREIGHT CLASS: 100

Model	Length		Width		Height		Cube ft crated	Adapter Bars	Weight		Cold Pan - L		Cutout - L	
	in.	cm	in.	cm	in.	cm			in.	cm	in.	cm	in.	cm
ADI-1ISL	26 ¼	66.7	18	45.7	6 ¼	15.9	5.9	0	70	31.8	20 ¼	51.4	25 ½	66.0
ADI-2ISL	48 ¼	122.6	18	45.7	6 ¼	15.9	9.6	1	100	45.5	42 ¼	107.3	47 ½	121.9
ADI-3ISL	70 ¼	178.4	18	45.7	6 ¼	15.9	13.8	2	135	61.4	64 ¼	163.2	69 ½	177.8

REMOTE CONTROL CUTOUT IS 4-1/8" H X 2-3/16" W



DUKE MANUFACTURING CO.
 2305 N. Broadway
 St. Louis, MO 63102

800.735.3853 Toll Free
 800.231.1130 In Missouri
 314.231.5074 Fax
www.dukemfg.com

Specification subject to change