



Specifications

F.O.B Sedalia, Missouri 65301



ADI-3MSL-N7
(optional louvered grille shown)

OPTIONS:

- Condensate Evaporator
- 220V - 50Hz compressor
- Stainless steel louvered grille
- False Bottom
- Designer Foodshields
- Stainless steel adapter panels
- Adapter bars

AGENCY LISTING:



DUKE MANUFACTURING CO.
2305 N. Broadway
St. Louis, MO 63102

800.735.3853 Toll Free
314.231.1130 In Missouri
314.231.5074 Fax
www.dukemfg.com

Approval Stamp(s):

PRODUCT INFORMATION:

PROJECT: _____
ITEM: _____
QUANTITY: _____

MODEL:

**Drop-Ins - Slimline - Cold Pan
Mechanically Cooled - 8" Deep Liner
Meets NSF Standard 7**

- ADI-2MSL-N7** Holds (2) 4" Deep 12" x 20" pan
- ADI-3MSL-N7** Holds (3) 4" Deep 12" x 20" pan

TOP RIM:

- Heavy gauge, 300 Series stainless steel
- Overhang on all four sides w/locking tabs
- Reinforced with heavy gauge steel angle
- Vinyl foam gasket as sealant

LINER:

- 300 Series stainless steel cold pan
- 8" deep 13-7/8" front to back
- 1" cast brass drain and plug
- Adapter bars for full size pans included
- Product recessed 3" below top
- Removable stainless steel brackets 3" below top

REFRIGERATION:

- Copper coils attached to sides of liner - R134A refrigerant
- Air cooled condensing unit, in center of unit -120 volt
- Open angle-iron suspended compressor compartment
- Remote mounted on/off switch
- 6' cord and plug - NEMA 5-15
- Five year warranty on compressor motor

EXTERIOR HOUSING

- Heavy gauge paint grip steel body

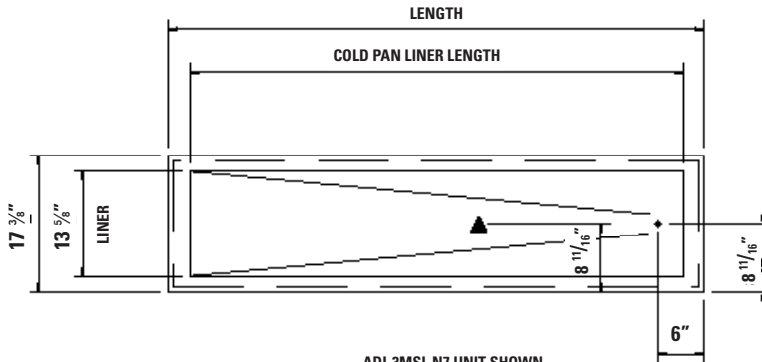
SHORT FORM SPECIFICATIONS:

Duke Drop-Ins - Slimline - Cold Pan - Mechanically Cooled - 8" Deep Liner - Meets NSF Standard 7. Top flange of heavy gauge 300 series s/s with overhang on 4 sides, refrigerated cold pan, s/s top and interior liner, heavy gauge paint grip steel exterior housing, with drain, remote mounted on/off switch, 8" deep liner, cord and plug, adapter bars for full size pans furnished. Note: Do not fully enclose compressor area. Two unrestricted openings of no less than 200 sq. inches required in cabinet for proper cooling, NSF-7



MODEL:
Drop-Ins - Slimline - Cold Pan
Mechanically Cooled- 8" Deep Liner
Meets NSF Standard 7

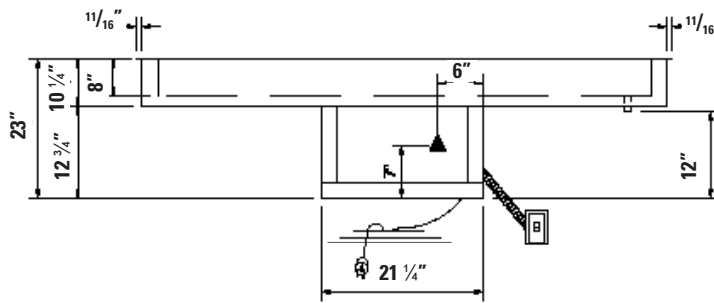
- ADI-2MSL-N7 (2) 4" Deep 12" x 20" pans
- ADI-3MSL-N7 (3) 4" Deep 12" x 20" pans



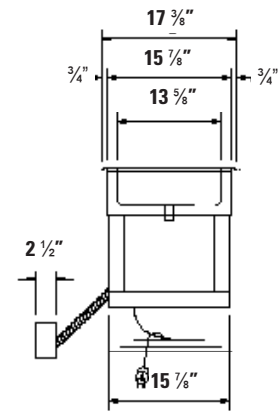
ADI-3MSL N7 UNIT SHOWN

TOP VIEW

LEGEND	
▲	- ELECTRICAL CONNECTION
●	- DRAIN CONNECTION



FRONT VIEW



RIGHT SIDE VIEW

DIMENSIONS - Liners are 13-5/8" (34.7cm) W; cutouts 16-3/4" (42.3cm) W

FREIGHT CLASS: 100

Model	Length		Width		Height		Cube ft crated	Pan Openings	Adapter Bars	Weight		Cold Pan - L		Cutout - L	
	in.	cm	in.	cm	in.	cm				in.	cm	in.	cm	in.	cm
ADI-2MSL-N7	48 3/4	123.8	17 3/8	44.2	23	61.0	18.1	2	1	155	70.5	45 1/8	114.3	47 3/4	121.9
ADI-3MSL-N7	70 3/4	179.7	17 3/8	40.6	23	61.0	25.5	3	2	205	93.2	67 1/8	170.2	69 3/4	177.8

REMOTE CONTROL CUTOUT IS 4-1/8" H X 2-3/16" W

ELECTRICAL SPECIFICATIONS

Model	120 Volt	
	Amps	HP
ADI-2MSL-N7	4.2	1/5
ADI-3MSL-N7	4.2	1/4

DUKE MANUFACTURING CO.
 2305 N. Broadway
 St. Louis, MO 63102

800.735.3853 Toll Free
 800.231.1130 In Missouri
 314.231.5074 Fax
 www.dukemfg.com

