



"Your Solutions Partner"

# Specifications

F.O.B Sedalia, Missouri 65301



Shown with optional grille

### OPTIONS:

- Remote compressor
- Stainless steel louvered grille
- Glass display shelves - **98x Series**
- Buffet shelves - **83x, 93xFL, 93xHT, 93xBL**
- Serving shelves - **956/956-460 - x Series**

### AGENCY LISTING:



**DUKE MANUFACTURING CO.**  
**2305 N. Broadway**  
**St. Louis, MO 63102**

**800.735.3853 Toll Free**  
**314.231.5074 Fax**  
**www.dukemfg.com**

### Approval Stamp(s):

### PRODUCT INFORMATION:

PROJECT: \_\_\_\_\_  
 ITEM: \_\_\_\_\_  
 QUANTITY: \_\_\_\_\_

### MODEL:

**Drop-Ins - Cold Pan**  
**Tri-Channel - NSF Standard 7**

- |                                           |                      |
|-------------------------------------------|----------------------|
| <input type="checkbox"/> <b>ADI-1M-TC</b> | 18-1/8" length unit  |
| <input type="checkbox"/> <b>ADI-2M-TC</b> | 30 -7/8" length unit |
| <input type="checkbox"/> <b>ADI-3M-TC</b> | 43-5/8" length unit  |
| <input type="checkbox"/> <b>ADI-4M-TC</b> | 56-3/8" length unit  |
| <input type="checkbox"/> <b>ADI-5M-TC</b> | 69-1/8" length unit  |
| <input type="checkbox"/> <b>ADI-6M-TC</b> | 81-7/8" length unit  |

### TOP RIM:

- Heavy gauge, 300 Series stainless steel
- Overhang on front, back and ends
- Reinforced rim
- Vinyl foam gasket as sealant
- 300 Series stainless steel liner
- Insulated all sides and bottom

### REFRIGERATION:

- Copper coils attached to sides of liner - R404A refrigerant
- Open angle-iron suspended compressor compartment
- Remote mounted on/off switch with stainless steel face plate
- 120 volt unit
- 6' cord and plug
- Five year warranty on compressor motor

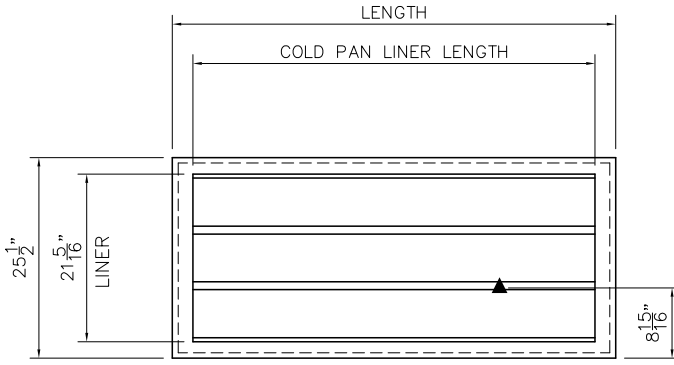
### EXTERIOR HOUSING:

- Heavy gauge paint grip steel

### SHORT FORM SPECIFICATIONS:

#### **Aerohot™ Drop-in - Cold Pan - Tri-Channel - NSF Standard 7.**

Top rim shall be constructed of heavy gauge 300 Series stainless steel. Unit provided with a 3 rail Tri-Channel NSF Standard 7 pan designed to hold 1/3rd, 1/6th and 1/9th size pans without the use of adaptor bars. Standards include; pull out compressor slides, on/off switch, 6'-0" electric cord and plug and 5-Year compressor motor warranty.

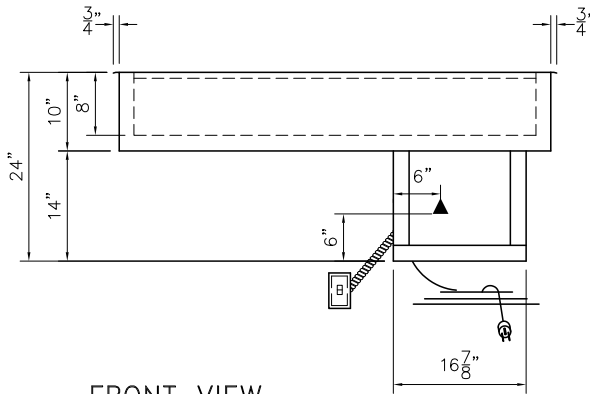


ADI-4M-TC UNIT SHOWN

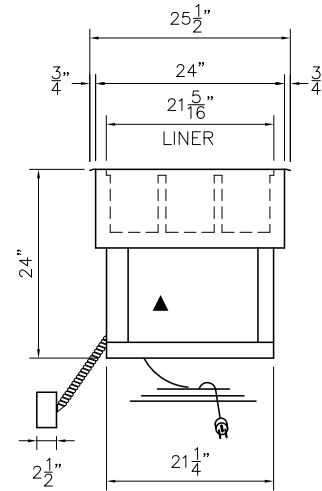
TOP VIEW

**DROP-INS  
COLD PAN - TRI-CHANNEL  
MEETS NSF STANDARD 7**

- ADI-1M-TC            18-1/8" length unit
- ADI-2M-TC            30 -7/8" length unit
- ADI-3M-TC            43-5/8" length unit
- ADI-4M-TC            56-3/8" length unit
- ADI-5M-TC            69-1/8" length unit
- ADI-6M-TC            81-7/8" length unit



FRONT VIEW



RIGHT SIDE VIEW

FREIGHT CLASS: 100

Model	Overall Length	Overall Width	Tri-Channel Top Cutout Dimensions		Cubic Ft. Crated	Weight		120/1 NEMA #5-15P	
			Length	Width		Lbs.	Kg.	Amps	HP
ADI-1M-TC	18 1/8"	25 1/2"	17 1/8"	24 1/2"	14.0	180	82	5.5	1/4
ADI-2M-TC	30 7/8"	25 1/2"	29 7/8"	24 1/2"	22.1	190	86	5.5	1/4
ADI-3M-TC	43 5/8"	25 1/2"	42 5/8"	24 1/2"	24.5	205	93	6.7	1/3
ADI-4M-TC	56 3/8"	25 1/2"	55 3/8"	24 1/2"	38.4	310	141	6.7	1/3
ADI-5M-TC	69 1/8"	25 1/2"	68 1/8"	24 1/2"	46.5	370	168	6.5	0.4
ADI-6M-TC	81 7/8"	25 1/2"	80 7/8"	24 1/2"	54.6	410	186	6.5	0.4



**"Your Solutions Partner"**

**DUKE MANUFACTURING CO.**  
2305 N. Broadway  
St. Louis, MO 63102

800.735.3853 Toll Free  
314.231.5074 Fax  
www.dukemfg.com

Patented  
Specification subject to change

06/08  
Printed in U.S.A  
© 2008, Duke Manufacturing Co.