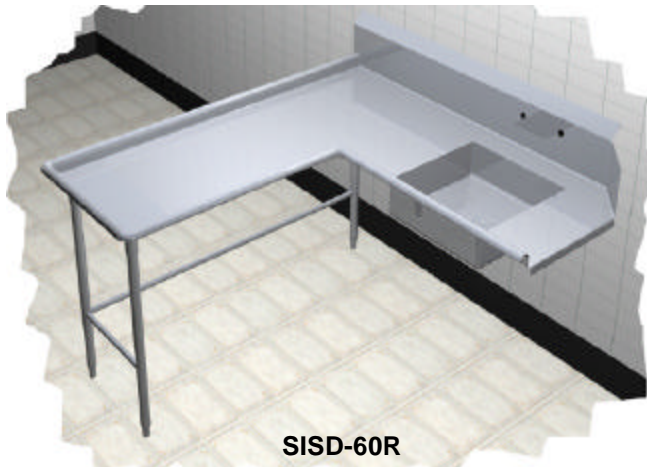


Duke Specifications



"Your Solutions Partner"

F.O.B. St. Louis, Missouri 63102



SISD-60R

MODIFICATIONS:

- 12" x 15" disp. control bracket w/V.B. holes in splash - **SK-6**
- Installation of disposer collar - **SK-15**
- Flanged feet - **SK-19**
- Stainless steel welded leg assembly (H-frame) - **SK-32**
(One standard - units 120" to have 2)
- Scrap block installed - **SK-34**
- Stainless steel sink cover - **SK-35**
- Stainless steel perforated basket with molded slide rail - **SK-57**
- Stainless steel welded lengthwise crossrail - **SK-58**
- Stainless steel rack slide - **SK-59**
- 5" x 7" disp. switch w/V.B. holes in splash - **SK-60**

18 gauge stainless steel removable undershelf

- | | |
|---|---|
| <input type="checkbox"/> DTUDSS-18 | <input type="checkbox"/> DTUDSS-54 |
| <input type="checkbox"/> DTUDSS-24 | <input type="checkbox"/> DTUDSS-66 |
| <input type="checkbox"/> DTUDSS-30 | <input type="checkbox"/> DTUDSS-78 |
| <input type="checkbox"/> DTUDSS-42 | |

SPECIAL MODIFICATIONS:

Special modifications may be added. Consult Accessories and Modifications specification sheet.

AGENCY LISTING:



DUKE MANUFACTURING CO.
2305 N. Broadway
St. Louis, MO 63102

800.735.3853 Toll Free
314.231.1130 In Missouri
314.231.5074 Fax
www.dukemfg.com

PROJECT INFORMATION:

PROJECT: _____
ITEM: _____
QUANTITY: _____

MODEL:

Duke Dishtables
Island-Soil

- | | <u>Supreme / 14 ga.</u> | <u>Deluxe / 16 ga.</u> | <u>Length</u> |
|--------------------------|-------------------------|---|------------------|
| <input type="checkbox"/> | SISD-48 L or R | <input type="checkbox"/> DISD-48 L or R | 48" length unit |
| <input type="checkbox"/> | SISD-60 L or R | <input type="checkbox"/> DISD-60 L or R | 60" length unit |
| <input type="checkbox"/> | SISD-72 L or R | <input type="checkbox"/> DISD-72 L or R | 72" length unit |
| <input type="checkbox"/> | SISD-96 L or R | <input type="checkbox"/> DISD-96 L or R | 96" length unit |
| <input type="checkbox"/> | SISD-120 L or R | <input type="checkbox"/> DISD-120 L or R | 120" length unit |
- L - Left side of dishwasher / R - Right side of dishwasher

Supreme-Island-Soil-Dishtable

TOP:

- 14 gauge, 300 Series stainless steel
- 1-1/4" rolled rim - 2-1/2" high on front and side
- 10" rear splash - turned up 8", returned to wall
- 2" high on 45° angle with 1" turn down

BOWL:

- 14 gauge, 300 Series stainless steel
- 20-1/2" x 20-1/2" x 5" deep

UNDERBRACING:

- 12 gauge angle on 24" centers

LEGS:

- 16 gauge stainless steel - 1-5/8" OD tubing
- Stainless steel gusset
- 1" adjustable stainless steel bullet feet

CROSSRAILS:

- 16 gauge stainless steel - 1-1/4" OD tubing
- Welded to legs

Deluxe-Island-Soil-Dishtable

TOP:

- 16 gauge, 300 Series stainless steel
- 1-1/4" rolled rim - 2-1/2" high on front and side
- 10" rear splash - turned up 8", returned to wall
- 2" high on 45° angle with 1" turn down

BOWL:

- 16 gauge, 300 Series stainless steel
- 20-1/2" x 20-1/2" x 5" deep

UNDERBRACING:

- 12 gauge angle on 24" centers

LEGS:

- 16 gauge stainless steel - 1-5/8" OD tubing
- Stainless steel gusset
- 1" adjustable stainless steel bullet feet

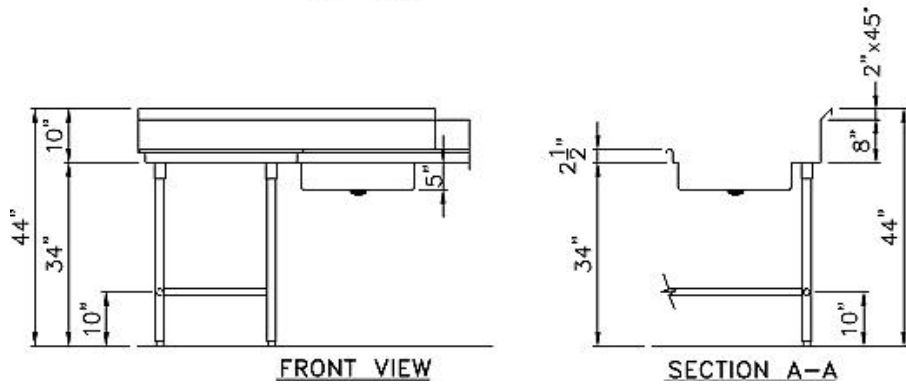
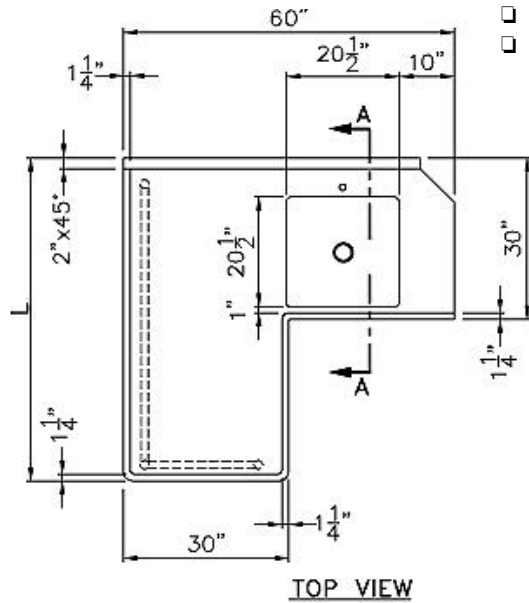
CROSSRAILS:

- 16 gauge stainless steel - 1-1/4" OD tubing
- Welded to legs



DUKE DISHTABLES
ISLAND -SOIL

- | | | | | |
|--------------------------|------------------------|--------------------------|-----------------------|------------------|
| <input type="checkbox"/> | Supreme /14 ga. | <input type="checkbox"/> | Deluxe /16 ga. | Length |
| <input type="checkbox"/> | SISD-48 L or R | <input type="checkbox"/> | DISD-48 L or R | 48" length unit |
| <input type="checkbox"/> | SISD-60 L or R | <input type="checkbox"/> | DISD-60 L or R | 60" length unit |
| <input type="checkbox"/> | SISD-72 L or R | <input type="checkbox"/> | DISD-72 L or R | 72" length unit |
| <input type="checkbox"/> | SISD-96 L or R | <input type="checkbox"/> | DISD-96 L or R | 96" length unit |
| <input type="checkbox"/> | SISD-120 L or R | <input type="checkbox"/> | DISD-120 L or R | 120" length unit |
- L - Left side of dishwasher / R - Right side of dishwasher



DIMENSIONS:

Freight Class: 85

Model	"L" Sizes		Width (front to back)		Height		Cube ft. crated	Weight	
	in.	cm	in.	cm	in.	cm		lbs.	kg
SISD-48 L or R DISD-48 L or R	48 x 30	121.9 x 76.2	30	76.2	34	86.4	84.0	165	75.0
SISD-60 L or R DISD-60 L or R	60 x 30	152.4 x 76.2	30	76.2	34	86.4	102.7	190	86.4
SISD-72 L or R DISD-72 L or R	72 x 30	182.9 x 76.2	30	76.2	34	86.4	121.3	215	97.7
SISD-96 L or R DISD-96 L or R	96 x 30	243.8 x 76.2	30	76.2	34	86.4	158.7	240	109.1
SISD-120 L or R DISD-120 L or R	120 x 30	304.8 x 76.2	30	76.2	34	86.4	196.0	290	131.8



"Your Solutions Partner"

DUKE MANUFACTURING CO.
2305 N. Broadway
St. Louis, MO 63102

800.735.3853 Toll Free
314.231.1130 In Missouri
314.231.5074 Fax
www.dukemfg.com

Specifications subject to change