

Duke Specifications



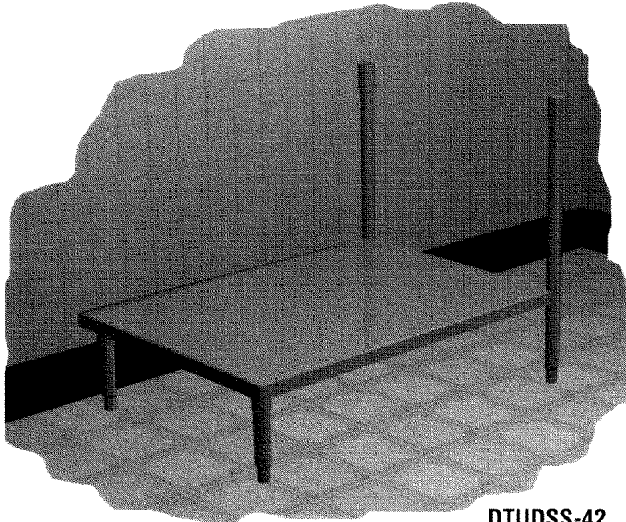
“Your Solutions Partner”

F.O.B. St. Louis, Missouri 63102

AEROHOT DISHTABLES - REMOVABLE UNDERSHELVES

Catalog No. DISHUNDER

A.I.A. File No. 35-C-13



DTUDSS-42
Removable Undershelf

PROJECT INFORMATION:

PROJECT: _____

ITEM: _____

QUANTITY: _____

MODEL:

Duke Dishtables
Removable Underselves

- DTUDSS-18** 18" length
- DTUDSS-24** 24" length
- DTUDSS-30** 30" length
- DTUDSS-42** 42" length
- DTUDSS-54** 54" length
- DTUDSS-66** 66" length
- DTUDSS-78** 78" length

SHELF:

- 18 gauge, 300 Series stainless steel

LEGS:

- 1-5/8" OD tubing
- 10" high
- 1" adjustable stainless steel bullet feet

AGENCY LISTING:



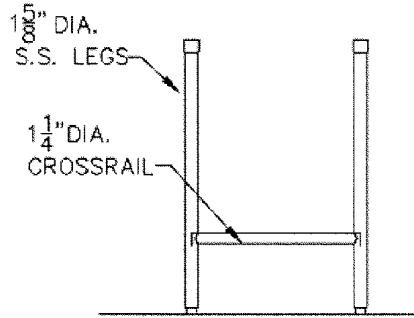
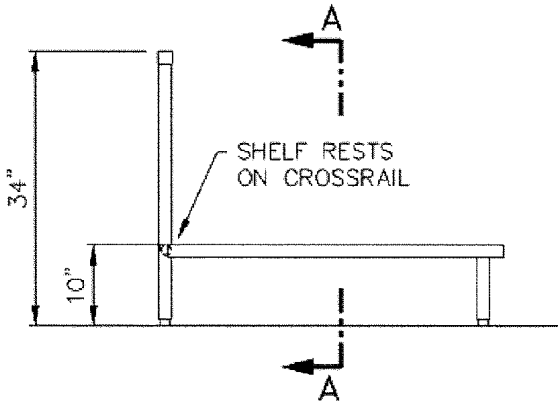
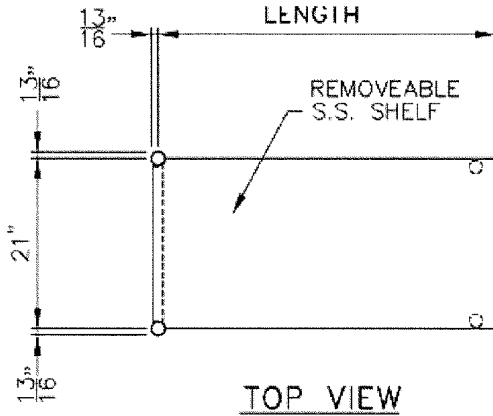
DUKE MANUFACTURING CO.
2305 N. Broadway
St. Louis, MO 63102

800.735.3853 Toll Free
314.231.1130 In Missouri
314.231.5074 Fax
www.dukemfg.com

Aerohot®

DUKE DISHTABLES REMOVABLE UNDERSHELVES

- DTUDSS-18** 18" length
- DTUDSS-24** 24" length
- DTUDSS-30** 30" length
- DTUDSS-42** 42" length
- DTUDSS-54** 54" length
- DTUDSS-66** 66" length
- DTUDSS-78** 78" length



Removable Undershelves

Model	Length		Weight		Cube ft. crated
	in.	cm	lbs.	kg	
DTUDSS-18	18	45.7	15	6.8	2.5
DTUDSS-24	24	61.0	18	8.2	2.5
DTUDSS-30	30	76.2	24	10.9	2.5
DTUDSS-42	42	106.7	33	15.0	3.5
DTUDSS-54	54	137.2	42	19.1	3.5
DTUDSS-66	66	167.6	50	22.7	4.5
DTUDSS-78	78	198.1	60	27.3	4.5



DUKE MANUFACTURING CO.
2305 N. Broadway
St. Louis, MO 63102

800.735.3853 Toll Free
314.231.1130 In Missouri
314.231.5074 Fax
www.dukemfg.com

"Your Solutions Partner"

Specifications subject to change

Printed in U.S.A.
©2000, Duke Manufacturing Co.