



# Specifications

F.O.B St. Louis, Missouri 63102



E101-G

### OPTIONS:

- 2-speed fan
- Natural or Propane
- Casters

### AGENCY LISTINGS:



**DUKE MANUFACTURING CO.**  
 2305 N. Broadway  
 St. Louis, MO 63102

800.735.3853 Toll Free  
 314-231-1130 In Missouri  
 314.231.5074 Fax  
 www.dukemfg.com

**Approval Stamp(s):**

### PRODUCT INFORMATION:

PROJECT: \_\_\_\_\_  
 ITEM: \_\_\_\_\_  
 QUANTITY: \_\_\_\_\_

### MODEL:

## Duke Convection Ovens "E" Series - Single Section - Gas

- E101-G** Single section standard depth

### STANDARD FEATURES:

- 5 racks
- Porcelain interior
- Stainless steel front
- 27" angular painted legs

### OVEN SECTIONS:

- Stainless steel front
- Painted sides, top
- 50/50 stainless steel doors
- Double pane glass in both doors
- 1-1/2" insulation on bottom, sides & back
- 3" insulation on top
- Interior lights

### OVEN CONTROLS

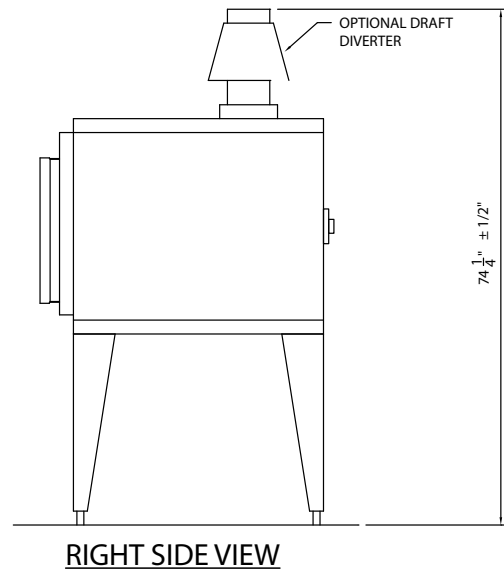
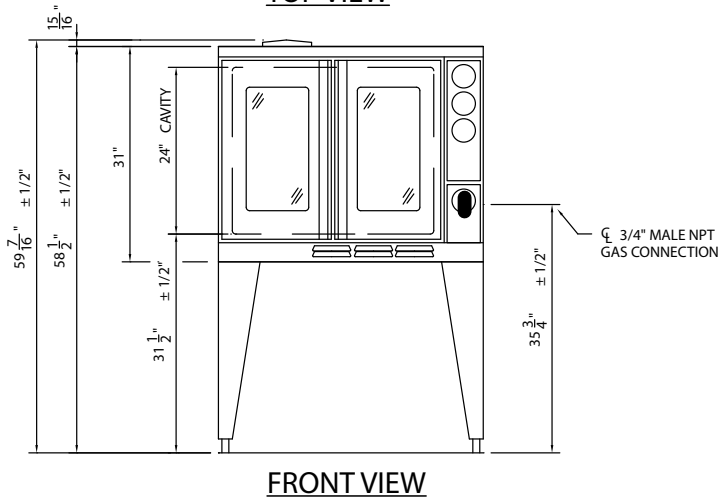
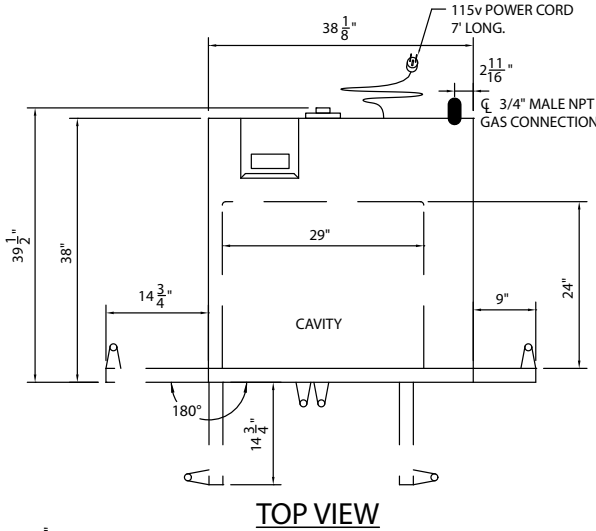
- Power off/cook switch
- Dial type thermostat - 200° - 500°F
- 1-hour dial timer, electric buzzer

### SHORT FORM SPECIFICATIONS:

**Duke Convection Ovens - "E" Series -Single Section - Gas.** Unit shall have stainless steel exterior front, painted sides and top. Bottom, back and sides to be fully insulated with 1-1/2" thick board type insulation, top to have 3" thick insulation. Interior shall be porcelain enameled interior, with 7/8" radius, coved corners. Each section to include five oven racks. Each oven section to be powered by 40,000 BTU, high output atmospheric burner system. Ignition system is accomplished with an electronic pilot relight system. Oven shall be furnished with a main gas shut off valve in the control panel area. A built-in gas regulator is standard. Unit to be completely front serviceable. Controls shall be: Power off/cook switch, dial type thermostat to operate from 200° - 500°F, and a 1-hour dial timer with electric buzzer. Built-in gas regulator. Door shall be 50/50 independent stainless steel. Insulated, and hinged on 5/8" solid stainless steel shafts with oil impregnated bronze bushings for each door. Double pane glass in both doors standard. Door to have roller style latch and catch mechanism. Legs shall be angular, painted 27" high, with adjustable feet. Units shall have the following options: 2-speed fan & casters. Limited 1 year warranty on parts and labor.

**DUKE CONVECTION OVENS  
"E" SERIES - SINGLE SECTION - GAS**

■ **E101-G** Single section, standard depth



Gas Specifications	
	BTU/Hour
<b>E101-G</b>	40,000
Regulated gas pressure required 3.5" WC natural /10" WC propane	
Combustible surface clearance - 1" side, 1" rear, 6" floor	
■ - Gas connection	
3/4" Gas connection	
Electrical requirements: 3.5 Amps/ 115V	
Standard 115V units supplied with 5' cord and plug	

DIMENSIONS:

FREIGHT CLASS: 85

Model	Depth		Width		Height		Cube ft. crated	Weight	
	in	cm	in.	cm	in.	cm		lbs	kg
<b>E101-G</b>	39-1/2	100.3	38	96.5	60	152.4	59.6	540	245.0

Specify gas type  
Specify altitude over 2000 feet



**DUKE MANUFACTURING CO.**

2305 N. Broadway  
St. Louis, MO 63102

800.735.3853 Toll Free  
800.231.1130 In Missouri  
314.231.5074 Fax  
[www.dukemfg.com](http://www.dukemfg.com)

Specification subject to change

01/10  
Printed in U.S.A.  
© 2010, Duke Manufacturing Co.