



"Your Solutions Partner"

# Specifications

F.O.B Sedalia, Missouri 65301



E303-25  
Shown with optional Wood Carving Board & 3 bar tray slide

### OPTIONS:

- 3 bar tray slides - 3BTS-FX/HD
- Individual valves
- Sliding doors - A328-xPG/xSS
- Door locks
- Serving shelves w/glass protector panels - A956-460 - x
- Glass display shelves - A98x
- Self Service Canopies - TS530-xx, TS530-xx-1SN
- Buffet shelves - A83x
- Adapter panels - A31, A32, A33
- Telescope and flat covers - 546, 548
- Insets - 521 thru 524
- Stainless steel carving boards - A442-xS/A445-xS
- Wood carving boards - A442-xW/A445-xW
- Stainless steel dish shelf - A441-xS
- Solid tray slides - SOLID - FX/HD
- Kick plates
- 3 phase wiring
- 6 ft.Cord and plug - ACORD
- 5" casters, 2 swivel w/locks - AACA-SW
- Drop brackets on tray slide - AHD-BRKT-3BTS
- Drop brackets on carving board - AHD-BRKT-CB
- Veneered plastic laminate panels on body
- Duplex outlet inside base
- Omit bottom shelf
- Heat-in-Base module - HTD-BASE-M
- Tier of stainless steel angle sides

### AGENCY LISTINGS:



**DUKE MANUFACTURING CO.**  
2305 N. Broadway  
St. Louis, MO 63102

800.735.3853 Toll Free  
314-231-1130 In Missouri  
314.231.5074 Fax  
www.dukemfg.com

### Approval Stamp(s):

### PRODUCT INFORMATION:

PROJECT: \_\_\_\_\_  
ITEM: \_\_\_\_\_  
QUANTITY: \_\_\_\_\_

### MODEL:

### AeroServ Serving Systems Hot Food Units - Electric

- E302-25 2 top openings
- E303-25 3 top openings
- E304-25 4 top openings
- E305-25 5 top openings

### TOP:

- 20 gauge, 300 Series stainless steel
- Die stamped openings - 12" x 20"

### HEAT COMPARTMENTS:

- Wired for 120, 208, or 240 volt - 1 phase
- Infinite switch for each sealed hot food well with drain
- Heavy gauge stainless steel liner with drain, 6-1/2" deep
- 750, 900 or 1200 watt element in each compartment
- Drains copper manifolded to brass master valve

### BODY:

- Paint grip or stainless steel
- Choice of (12) powder coat paint colors (must choose one)
  - #217105 - Designer White
  - #217103 - Natural Almond
  - #217150 - Orange
  - #217154 - Racing Red
  - #217107 - Hollyberry Red
  - #217120 - Sky Blue
  - #217127 - Frence Green
  - #217152 - Stone Gray
  - #217102 - Silver Hammer
  - #217113 - Brown Kickplate
  - #217101 - Semi-Gloss Black
  - #217125 - Textured Black
- Flanged or channeled edges
- Welded together with local reinforcements
- Mounted on 6" stainless steel legs with adjustable feet

### SHORT FORM SPECIFICATIONS:

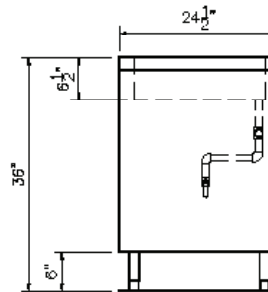
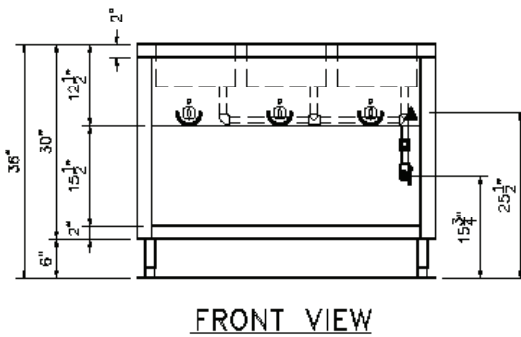
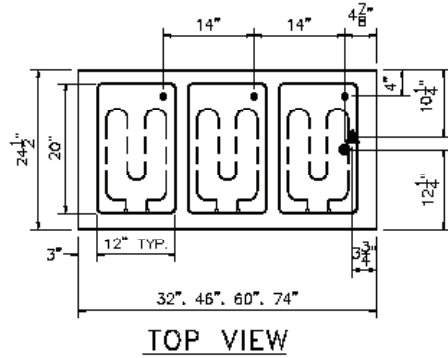
**Duke AeroServ Serving Systems - Hot Food Units - Electric** . Top shall be constructed of 20 gauge, 300 Series stainless steel. Edges on all sides and ends to be flanged down 2" against body. Top of unit shall have die-stamped beaded openings, each 12" x 20". Body and shelves shall be formed of powder coated paint grip steel or stainless steel, with integrally flanged or channeled edges for rigidity and structural strength. Each body individually welded together with local reinforcements as required. Stainless steel heat wells have 3/4" drain with copper manifolds and brass valves. Each sealed well compartment to have 750, 900 or 1200 watt electric element. Unit shall be wired to operate on 120, 208 or 240 volt, single phase AC current, as ordered. Each section shall be controlled by infinite switch. 6" polished stainless steel legs to be furnished. Must add "PG" to model number for Paint Grip Bodies, "SS" for Stainless steel bodies.

# AeroServ

## AEROSERV SERVING SYSTEMS

### Hot Food Units - Electric

- E302-25 2 top openings
- E303-25 3 top openings
- E304-25 4 top openings
- E305-25 5 top openings



|              |
|--------------|
| ND           |
| SINGLE PHASE |
|              |

**DIMENSIONS:**

FREIGHT CLASS: 150

| Model   | Depth |       | Width  |      | Height |      | Top Openings | Cube ft. crated | Weight |       |
|---------|-------|-------|--------|------|--------|------|--------------|-----------------|--------|-------|
|         | in    | cm    | in.    | cm   | in.    | cm   |              |                 | lbs    | kg    |
| E302-25 | 32    | 81.3  | 24-1/2 | 62.2 | 36     | 91.4 | 2            | 28.6            | 220    | 110.0 |
| E303-25 | 46    | 116.8 | 24-1/2 | 62.2 | 36     | 91.4 | 3            | 39.1            | 284    | 129.1 |
| E304-25 | 60    | 152.4 | 24-1/2 | 62.2 | 36     | 91.4 | 4            | 49.6            | 349    | 158.6 |
| E305-25 | 74    | 188.0 | 24-1/2 | 62.2 | 36     | 91.4 | 5            | 60.1            | 419    | 190.5 |

**ELECTRICAL SPECIFICATIONS**

| Model   | 120 Volt - 750 watt element |      |       | 208 Volt - 900 watt element |      |       | 240 Volt - 1200 watt element |      |       |
|---------|-----------------------------|------|-------|-----------------------------|------|-------|------------------------------|------|-------|
|         | watts                       | amps | NEMA  | watts                       | amps | NEMA  | watts                        | amps | NEMA  |
| E302-25 | 1500                        | 12.5 | 5-15  | 1800                        | 8.7  | 6-20  | 2400                         | 10.0 | 6-20  |
| E303-25 | 2250                        | 18.8 | L5-30 | 2700                        | 13.0 | 6-20  | 3600                         | 15.0 | 6-20  |
| E304-25 | 3000                        | 25.0 | 5-50  | 3600                        | 17.3 | L6-30 | 4800                         | 20.0 | L6-30 |
| E305-25 | 3750                        | 31.3 | 5-50  | 4500                        | 21.6 | L6-30 | 6000                         | 25.0 | 6-50  |

**DUKE MANUFACTURING CO.**  
 2305 N. Broadway  
 St. Louis, MO 63102



800.735.3853 Toll Free  
 314.231.5074 Fax  
 www.dukemfg.com

“Your Solutions Partner”

Specification subject to change

06/08  
 Printed in U.S.A  
 © 2008, Duke Manufacturing Co.