

# Duke Specifications

F.O.B. Sedalia, Missouri 65301



**"Your Solutions Partner"**



**ES-7201A**

**OPTIONS:**

- Stainless steel feet - **ES-SS-FT**
- Casters, swivel, two w/locks, 5" diameter, rubber tires - **CAWT**
- Casters, swivel, two w/locks, 5" diameter, polyurethane tires - **CAWT**
- Cutting board, white polycarbonate
- Special height cutting board

**AGENCY LISTING:**



**DUKE MANUFACTURING CO.**  
**P. O. Box 5426**  
**St. Louis, MO 63147-0230**

**800.735.3853 Toll Free**  
**314.231.1130 In Missouri**  
**314.231.5074 Fax**  
**www.dukemfg.com**

**PROJECT INFORMATION:**

PROJECT: \_\_\_\_\_  
 ITEM: \_\_\_\_\_  
 QUANTITY: \_\_\_\_\_

**MODEL:**

**Aerohot Worktables  
 Equipment Stands**

- ES-7201A** 30" top width, S/S top, galv. undershelf, legs & feet
- ES-7201A** 36" top width, S/S top, galv. undershelf, legs & feet
- ES-7202A** 30" top width, S/S top, undershelf, legs & feet
- ES-7202A** 36" top width, S/S top, undershelf, legs & feet

**TOP:**

- 14 gauge, 300 Series stainless steel
- Edges down 1-1/2" at 90° on operator's side  
1-1/2" up at 90° on rear & both ends
- Reinforced w/heavy gauge galvanized hat channels full length of top
- Vinyl cushion between channels and underside of top for sound-deadening

**LEGS:**

- Heavy gauge hat channels
- 1-5/8" OD 16 gauge galvanized OR S/S tubular legs
- Adjustable bullet feet - plastic for galv. legs/stainless steel for S/S legs
- Heavy gauge leg sockets

**CARVING BOARD:**

- Hardwood - 10" wide x 1-1/8" thick x length of stand
- Heavy duty brackets - 3/4" square tubing
- Removable without use of tools
- 72" or longer carving boards to have center support

**ADJUSTABLE UNDERSHELF:**

- Heavy gauge galvanized OR S/S
- Die-formed corners in reinforced castings
- Set screws to lock in place

**SHORT FORM SPECIFICATIONS:**

Duke Aerohot Worktables - Equipment Stands. Top shall be constructed of 14 gauge, 300 Series stainless steel with edge on operator's side turned down 1-1/2" at 90°. The rear edge and both ends to be turned up 1-1/2" at 90°. Top reinforced with heavy gauge galvanized hat channels running full length of top. Top sound deadened with vinyl cushion between channels and underside of top. Body to have heavy gauge leg sockets welded securely to hat channels and designed to provide maximum rigidity to the 1-5/8" OD, 16 gauge galvanized OR stainless steel tubular legs fitted with adjustable bullet feet of like material. Equipment stands 72" and longer will have six legs. A hardwood carving board 10"W x 1-1/8" thick by length of stand shall be mounted on heavy duty brackets of 3/4" square tubing bolted to top, and flush with end of table. The carving board is removable without the use of tools. 72" or longer carving board to have center support. The adjustable undershelf shall be constructed of heavy gauge galvanized OR heavy gauge stainless steel with die-formed corners to form a tight sanitary contact with legs and lock in place with set screws to any height user desires. If shelf is adjusted to less than 6" from floor, unit will not be NSF approved.

# Aerohot

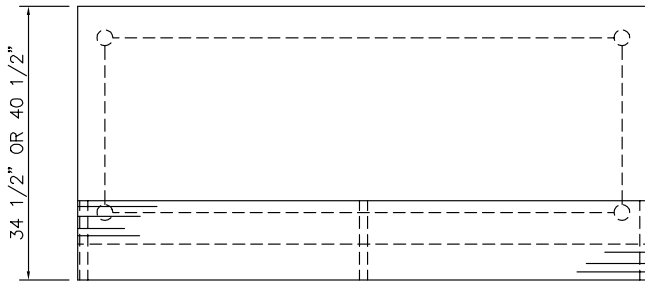
## AEROHOT WORKTABLES EQUIPMENT STANDS

- ES-7201A** 30" top width, S/S top, galv. undershelf, legs & feet
- ES-7201A** 36" top width, S/S top, galv. undershelf, legs & feet
- ES-7202A** 30" top width, S/S top, undershelf, legs & feet
- ES-7202A** 36" top width, S/S top, undershelf, legs & feet

A.I.A. File No. 35-C-13

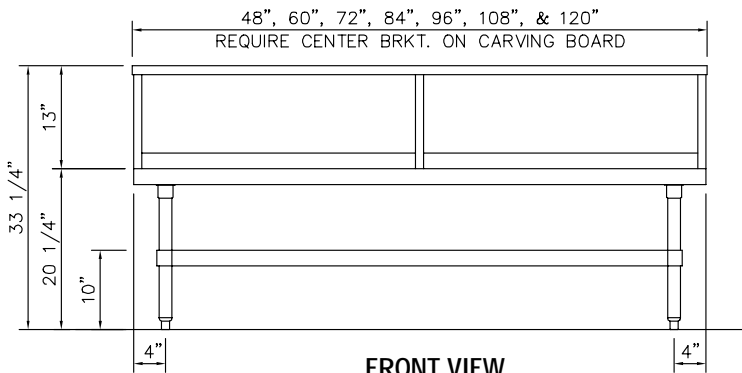
Catalog No. AWT-EQUIP

AEROHOT WORKTABLES - EQUIPMENT STANDS

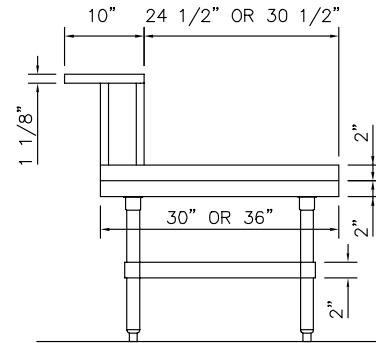


**TOP VIEW**

When specifying, use model number and length + width.  
Examples:  
**ES7201A-7230** or **ES7202A-6036**



**FRONT VIEW**



**SIDE VIEW**

**DIMENSIONS:**

Stainless Top, Galvanized Adjustable Undershelf, Galvanized Legs and Feet.

Freight Class: 70

Model No.	Top Width		Unit Height		Cube Feet Crated						
	in.	cm	in.	cm	48" 121.9 cm	60" 152.4 cm	72" 182.9 cm	84" 213.4 cm	96" 243.8 cm	108" 274.3 cm	120" 304.8 cm
ES-7201A	30	76.2	33-1/4	84.5	32.7	40.5	48.4	56.2	64.1	71.9	79.7
ES-7201A	36	91.4	33-1/4	84.5	38.8	48.1	57.4	66.8	76.1	85.4	94.7

Stainless Top, Stainless Steel Adjustable Undershelf, Legs and Feet.

Freight Class: 70

Model No.	Top Width		Unit Height		Cube Feet Crated						
	in.	cm	in.	cm	48" 121.9 cm	60" 152.4 cm	72" 182.9 cm	84" 213.4 cm	96" 243.8 cm	108" 274.3 cm	120" 304.8 cm
ES-7202A	30	76.2	33-1/4	84.5	32.7	40.5	48.4	56.2	64.1	71.9	79.7
ES-7202A	36	91.4	33-1/4	84.5	38.8	48.1	57.4	66.8	76.1	85.4	94.7

Weight: Approximately 12 lbs. per square foot.



**"Your Solutions Partner"**

**DUKE MANUFACTURING CO.**  
P. O. Box 5426  
St. Louis, MO 63147-0230

800.735.3853 Toll Free  
314.231.1130 In Missouri  
314.231.5074 Fax  
www.dukemfg.com

10/99

Specifications subject to change

Printed in U.S.A.  
©1999, Duke Manufacturing Co.