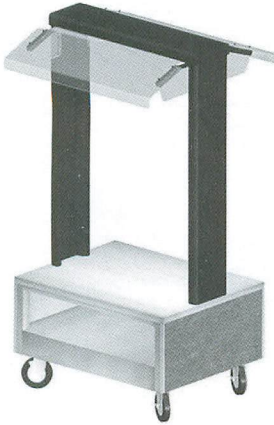




"Your Solutions Partner"

Specifications

F.O.B Sedalia, Missouri 65301



HB2SK

(shown with optional overhead canopy)

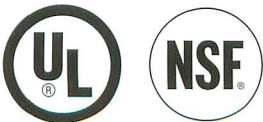
OPTIONS:

- Laminate finish other than standard eight (8) finishes - **HBMODA2**
- Stainless steel pedestal electric outlet
- Kickplates - **HBMODH1** (stainless) / **HBMODH2** (painted) / **HBMODH3** (laminate to match body)
- Legs in lieu of casters

OVERHEAD CANOPY:

- Housing of paint grip steel with powder coat painted cap - must choose one of the following colors:
 - Black Matte - **HB-10**
 - Copper - **HB-20**
 - Brown - **HB-30**
- Clear plexiglass canopy - flips up for ease of cleaning
- Fluorescent lights in canopy
- Paint grip steel columns - rigid, powder coat paint finish

AGENCY LISTINGS:



DUKE MANUFACTURING CO.
2305 N. Broadway
St. Louis, MO 63102

800.735.3853 Toll Free
314.231-1130 In Missouri
314.231.5074 Fax
www.dukemfg.com

Approval Stamp(s):

PRODUCT INFORMATION:

PROJECT: _____
 ITEM: _____
 QUANTITY: _____

MODEL:

Heritage Buffet - Soup Kettle

HB2SK 18-3/4"H X 24-1/2"W X 32"L

TOP:

- 16 gauge, 300 Series stainless steel
- Flanged down 2" on all four (4) sides
- 2-3/4" diameter cutout and grommet

BODY:

- Heavy gauge paint grip steel
- Laminate patterns:

<input type="checkbox"/> Beige Grafix - HB-01	<input type="checkbox"/> Stellar - HB-03
<input type="checkbox"/> Oxide - HB-04	<input type="checkbox"/> Northern Oak - HB-06
<input type="checkbox"/> Fallen Leaves - HB-07	<input type="checkbox"/> Azul Granite - HB-13
<input type="checkbox"/> Chestnut Burl - HB-11	<input type="checkbox"/> Amber Maple - HB-12
- Stainless steel trim strips on corners
- Flanged and channeled edges for strength
- Welded together with reinforcements
- Bowl storage opening on one side
- 6' cord and plug
- Electric duplex outlet in base, NEMA #5-15R
- Bottom shelf powder coat painted black, brown or copper
- Mounted on NSF listed 5" diameter swivel casters, two with locks, all non-marking polyurethane tires

SHORT FORM SPECIFICATIONS:

Duke Heritage Buffet - Soup Kettle. Top shall be constructed of heavy gauge, 300 Series stainless steel, with edges flanged down 2" on all four sides. Body of unit shall be heavy gauge paint grip steel with option all eight (8) laminate patterns. Stainless steel trim strips on corners of body panels. Body with integrally flanged and channeled edges for rigidity and structural strength. Each body individually welded together with local reinforcements. NSF listed casters, 5" diameter, swivel-type, two with locks, all non-marking tires, shall be furnished.

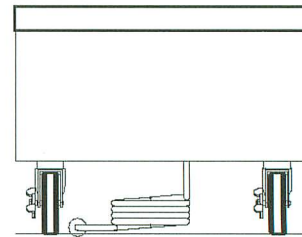
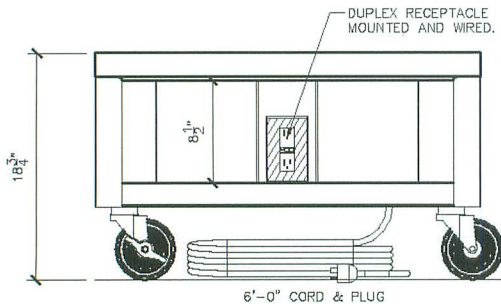
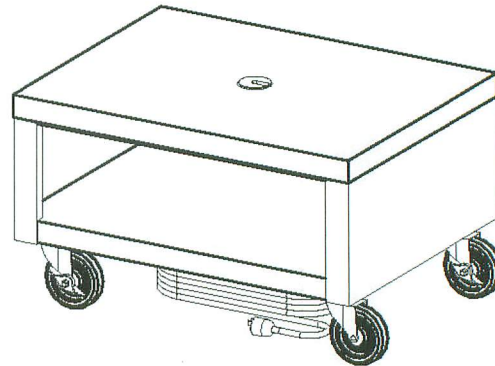
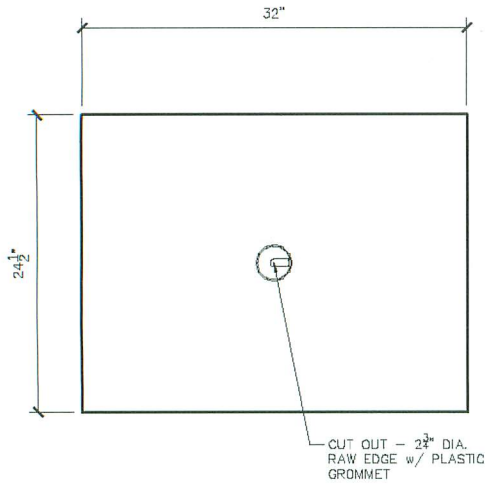
HERITAGE[®] FROM DUKE

HERITAGE BUFFET - SOUP KETTLE

□ HB2SK 19:H x 24-1/2"W x 32"L

LEGEND

▲ - ELECTRICAL CONNECTION



DIMENSIONS:

FREIGHT CLASS: 100

Model	Length		Width		Height		Cube ft. Crated	Weight	
	in.	cm	in.	cm	in.	cm.		lbs.	kg
HB2SK	32	81.3	24-1/2	62.2	19-1/2	49.5	16.6	250	113.6

Bowl Storage - in.		
Length	Width	Height
28	24-1/2	8-1/2

ELECTRICAL SPECIFICATION - with duplex outlet standard - 1 Phase

Model	120 Volt	
	amps	NEMA
HB2SK	15.0	5-15

DUKE MANUFACTURING CO.
2305 N. Broadway
St. Louis, MO 63102

800.735.3853 Toll Free
314.231.1130 In Missouri
314.231.5074 Fax
www.dukemfg.com



"Your Solutions Partner"

Specification subject to change