



"Your Solutions Partner"

Specifications

F.O.B Sedalia, Missouri 65301



HB3CM

(shown with optional trayslides and canopy)

OPTIONS:

- 8" deep liner in lieu of 5" deep
- Internal locking device
- False bottom - **FB**-_____
- Hot food style top - **HFST**-_____ (not available on N7 models)
- 220v - 50 Hz compressor
- Condensate evaporator - **COND EVAP**
- NSF Standard 7 construction
- Designer food shields - **TS530-x Series**
- Glass display shelves - **98x Series**
- Buffet shelves - **83x, 93x Series**
- Serving shelves - **956-x, 956-460-x Series**
- Fluorescent light
- 1-color laminate on body/second color laminate on tray slide-
HBMODA1
- Laminate finish other than standard eight (8) finishes -
HBMODA2
- Kickplates - **HBMODH1** (stainless)/ **HBMODH2** (painted)/
HBMODH3 (laminate to match body)
- Laminated trayslides
- End shelf
- Carving board/shelves (**445-x/442.x**)
- Solid trayslides
- 3-bar trayslides
- Bread and cheese board - **HBMODJ1**
- 8' ro 10' cord and plug in lieu of 6'
- Legs in lieu of casters

AGENCY LISTINGS:



DUKE MANUFACTURING CO.
2305 N. Broadway
St. Louis, MO 63102

800.735.3853 Toll Free
314.231.1130 In Missouri
314.231.5074 Fax
www.dukemfg.com

Approval Stamp(s):

PRODUCT INFORMATION:

PROJECT: _____
ITEM: _____
QUANTITY: _____

MODEL:

Heritage Buffet - Cold Pan - Mechanically Assisted Ice - 5" Deep

- HB3CM** 46" length unit
- HB4CM** 60" length unit
- HB5CM** 74" length unit

TOP:

- 16 gauge, 300 Series stainless steel
- Flanged down 2" on all four (4) sides
- Formed down into one heavy gauge stainless steel cold pan

BODY:

- Heavy gauge paint grip steel
- Laminate patterns:
 - Beige Grafix - **HB-01**
 - Oxide - **HB-04**
 - Fallen Leaves - **HB-07**
 - Chestnut Burl - **HB-11**
 - Stellar - **HB-03**
 - Northern Oak - **HB-06**
 - Azul Granite - **HB-13**
 - Amber Maple - **HB-12**
- Stainless steel trim strips on corners
- Flanged and channeled edges for strength
- Welded together with reinforcements
- Stainless steel removable grille
- Mounted on NSF listed 5" diameter swivel casters, two with locks, all non-marking polyurethane tires
- 6' electric cord and plug

MECHANICALLY COOLED ICE PAN SECTION:

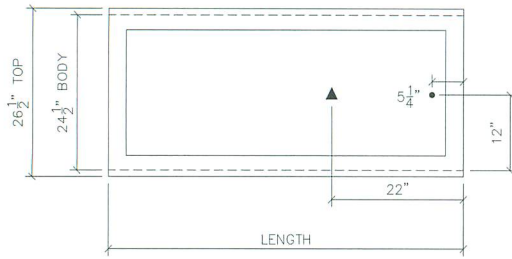
- 18 gauge, 300 Series stainless steel liner, 5" deep
- 1" cast brass drain and plug
- Insulated on all four sides and bottom
- Refrigerated coils, controls and compressor compartment - R134A

SHORT FORM SPECIFICATIONS:

Duke Heritage Buffet - Cold Pan - Mechanically Assisted Ice - 5" Deep. Top shall be constructed of 16 gauge, 300 Series stainless steel, with edges flanged down 2" on all four sides. Body of units shall be heavy gauge paint grip steel with option of eight (8) laminate patterns. Stainless steel trim strips on corners of body panels. Stainless steel cold pan of 18 gauge, 300 Series. 1" cast brass drain and plug. Insulated on all four sides and bottom. Refrigerated coils, controls and compressor compartment. 6' electric cord and plug furnished. Option of NSF Standard 7 cold pan unit(s) available. See N7 spec sheet for complete information. NSF listed casters, 5" diameter, polyurethane, swivel-type, two with locks, all non-marking tires, shall be furnished.

HERITAGE[®] FROM DUKE

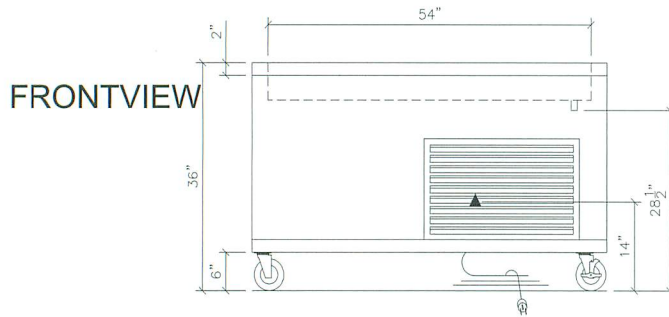
HERITAGE BUFFET - COLD PAN MECHANICALLY ASSISTED ICE - 5" DEEP



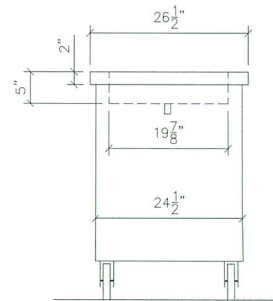
TOP VIEW

- **HB3CM** 46" length unit
- **HB4CM** 60" length unit
- **HB5CM** 74" length unit

LEGEND	
▲	- ELECTRICAL CONNECTION
●	- DRAIN LOCATION



FRONTVIEW



SIDE VIEW

DIMENSIONS:

5" Deep Mechanically Cooled Ice Pan - All Units 26-1/2 (67.3cm) Wide & 36" (91.4 cm) Tall

Freight Class: 100

Model	Length		Cold Pan Size						Cube ft. crated	Weight	
	in.	cm	L		W		D			lbs.	kg
			in.	cm	in.	cm	in.	dm			
HB3CM	46	116.8	40	101.6	19-7/8	50.6	5	12.7	36.0	432	196.4
HB4CM	60	152.4	54	137.2	19-7/8	50.6	5	12.7	45.7	570	259.1
HB5CM	74	188.0	68	172.7	19-7/8	50.6	5	12.7	55.4	710	322.7

ELECTRICAL SPECIFICATIONS:

Model	HP	120 volt w/no lights	
		amps	NEMA
HB3CM	1/5	4.3	5-15
HB4CM	1/4	6.0	5-15
HB5CM	1/4	6.0	5-15

DUKE MANUFACTURING CO.
2305 N. Broadway
St. Louis, MO 63102

800.735.3853 Toll Free
314.231.1130 In Missouri
314.231.5074 Fax
www.dukemfg.com



"Your Solutions Partner"

Specifications subject to change