



"Your Solutions Partner"

# Specifications

F.O.B Sedalia, Missouri 65301



**HB3CI**

(shown with optional trayslides and canopy)

### OPTIONS:

- 8" deep liner in lieu of 5" deep
- Internal locking device
- False bottom - **FB**-\_\_\_\_\_
- Hot food style top - **HFST**-\_\_\_\_\_
- 1-color laminate on body/second color laminate on tray slide-  
**HBMODA1**
- Laminate finish other than standard eight (8) finishes -  
**HBMODA2**
- Enclosed storage - **HBMODB1**
- Intermediate shelf - **HBMODB3**
- Designer food shields - **TS Series**
- Glass display shelves - **98x Series**
- Buffet shelves - **83x, 93x Series**
- Serving shelves - **956-x, 956-460-x Series**
- Kickplates - **HBMODH1** (stainless)/ **HBMODH2** (painted)/  
**HBMODH3** (laminate to match body)
- Heritage laminated trayslides
- End shelf
- Solid trayslides
- 3-bar trayslides
- Bread and cheese board - **HBMODJ1**
- Legs in lieu of casters

### AGENCY LISTINGS:



**DUKE MANUFACTURING CO.**  
2305 N. Broadway  
St. Louis, MO 63102

800.735.3853 Toll Free  
314.231.1130 In Missouri  
314.231.5074 Fax  
www.dukemfg.com

## Approval Stamp(s):

### PRODUCT INFORMATION:

PROJECT: \_\_\_\_\_

ITEM: \_\_\_\_\_

QUANTITY: \_\_\_\_\_

### MODEL:

### Heritage Buffet - Cold Pan - Ice Cooled

- HB3CI** 46" length unit
- HB4CI** 60" length unit
- HB5CI** 74" length unit

### TOP:

- 16 gauge, 300 Series stainless steel cold pan
- Flanged down 2" on all four (4) sides

### BODY:

- Heavy gauge paint grip steel
- Laminate patterns:
  - Beige Gifax - **HB-01**
  - Oxide - **HB-04**
  - Fallen Leaves - **HB-07**
  - Chestnut Burl - **HB-11**
  - Stellar - **HB-03**
  - Northern Oak - **HB-06**
  - Azul Granite - **HB-13**
  - Amber Maple - **HB-12**
- Stainless steel trim strips on corners
- Flanged and channeled edges for strength
- Welded together with reinforcements
- Mounted on NSF listed 5" diameter swivel casters, two with locks, all non-marking polyurethane tires

### ICE PAN SECTION:

- 18 gauge, 300 Series stainless steel liner
- Insulated on all four sides and bottom
- 1" cast brass drain and plug

### SHORT FORM SPECIFICATIONS:

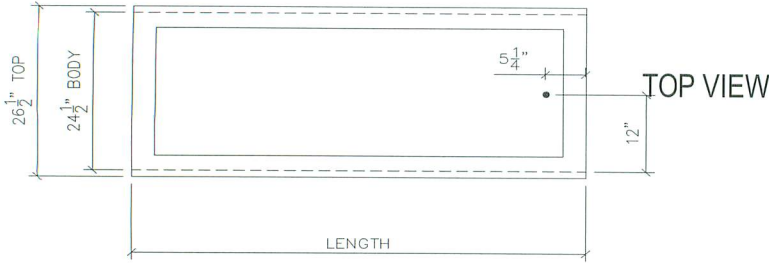
**Duke Heritage Buffet - Cold Pan - Ice Cooled.** Top shall be 16 gauge, 300 Series stainless steel, with top flanged down 2" on all four sides. Top flanged down into heavy gauge stainless steel ice pan, 5" or 8" deep. Liner to be insulated on all four sides and bottom with expanded polystyrene and equipped with 1" cast brass drain and plug. Body of units shall be heavy gauge paint grip steel with option of eight (8) laminate patterns. Stainless steel trim strips on corners of body panels. NSF listed casters, 5" diameter, polyurethane, swivel-type, two with locks, all non-marking tires, shall be furnished.

# HERITAGE<sup>®</sup> FROM DUKE

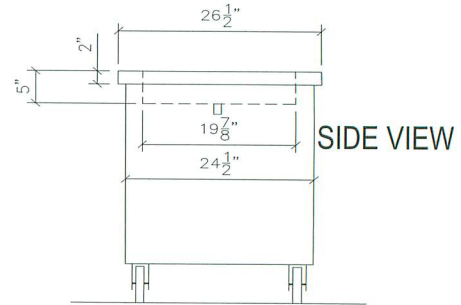
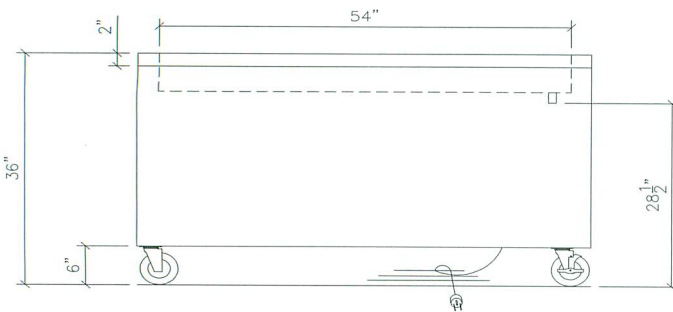
## HERITAGE BUFFET - COLD PAN - ICE COOLED

- **HB3CI** 46" length unit
- **HB4CI** 60" length unit
- **HB5CI** 74" length unit

LEGEND	
•	- DRAIN LOCATION



FRONT VIEW



**DIMENSIONS:**

All Units 26-1/2" (67.3cm) Wide & 36" (91.4 cm) Tall

Freight Class: 100

Model	Length		Cold Pan Size						Cube ft. crated	Weight	
	in.	cm	L		W		D			lbs.	kg
			in.	cm	in.	cm	in.	dm			
HB3CI	46	116.8	40	101.6	19-7/8	50.6	5	12.7	36.0	360	163.6
HB4CI	60	152.4	54	137.2	19-7/8	50.6	5	12.7	45.7	480	218.2
HB5CI	74	188.0	68	172.7	19-7/8	50.6	5	12.7	55.4	600	272.7



"Your Solutions Partner"

DUKE MANUFACTURING CO.  
2305 N. Broadway  
St. Louis, MO 63102

800.735.3853 Toll Free  
314.231.1130 In Missouri  
314.231.5074 Fax  
www.dukemfg.com

Specifications subject to change