

Duke Specifications



"Your Solutions Partner"

F.O.B. St. Louis, Missouri 63102



PROJECT INFORMATION:

PROJECT: _____

ITEM: _____

QUANTITY: _____

MODEL:

**Duke Dishtables
Corner Clean**

<u>Supreme / 14 ga.</u>	<u>Deluxe / 16 ga.</u>	<u>Length</u>
<input type="checkbox"/> SCCD-24 L or R	<input type="checkbox"/> DCCD-24 L or R	24" length unit
<input type="checkbox"/> SCCD-36 L or R	<input type="checkbox"/> DCCD-36 L or R	36" length unit
<input type="checkbox"/> SCCD-48 L or R	<input type="checkbox"/> DCCD-48 L or R	48" length unit
<input type="checkbox"/> SCCD-60 L or R	<input type="checkbox"/> DCCD-60 L or R	60" length unit
<input type="checkbox"/> SCCD-72 L or R	<input type="checkbox"/> DCCD-72 L or R	72" length unit
<input type="checkbox"/> SCCD-96 L or R	<input type="checkbox"/> DCCD-96 L or R	96" length unit
<input type="checkbox"/> SCCD-120 L or R	<input type="checkbox"/> DCCD-120 L or R	120" length unit

L - Left side of dishwasher / R - Right side of dishwasher

STANDARD MODIFICATIONS:

- Flanged feet - **SK-19**
- Install Booster Heater Brackets (brackets not included) - **SK-27**
- Stainless steel welded leg assembly (H-frame) - **SK-32**
(One standard - units 120" to have 2)
- Stainless steel welded lengthwise crossrail - **SK-58**

- 18 gauge stainless steel removable undershelf
 - DTUDSS-18 DTUDSS-54
 - DTUDSS-24 DTUDSS-66
 - DTUDSS-30 DTUDSS-78
 - DTUDSS-42

SPECIAL MODIFICATIONS:

Special modifications may be added. Consult Accessories and Modifications specification sheet.

AGENCY LISTING:



DUKE MANUFACTURING CO.
2305 N. Broadway
St. Louis, MO 63102

800.735.3853 Toll Free
314.231.1130 In Missouri
314.231.5074 Fax
www.dukemfg.com

Supreme-Corner-Clean-Dishtable

TOP:

- 14 gauge, 300 Series stainless steel
- 1-1/4" rolled rim - 2-1/2" high on front and side
- 10" rear splash - turned up 8", returned to wall
- 2" high on 45° angle with 1" turn down

UNDERBRACING:

- 12 gauge angle on 24" centers

LEGS:

- 16 gauge stainless steel - 1-5/8" OD tubing
- Stainless steel gusset
- 1" adjustable stainless steel bullet feet

CROSSRAILS:

- 16 gauge stainless steel - 1-1/4" OD tubing
- Welded to legs

Deluxe-Corner-Clean-Dishtable

TOP:

- 16 gauge, 300 Series stainless steel
- 1-1/4" rolled rim - 2-1/2" high on front and side
- 10" rear splash - turned up 8", returned to wall
- 2" high on 45° angle with 1" turn down

UNDERBRACING:

- 12 gauge angle on 24" centers

LEGS:

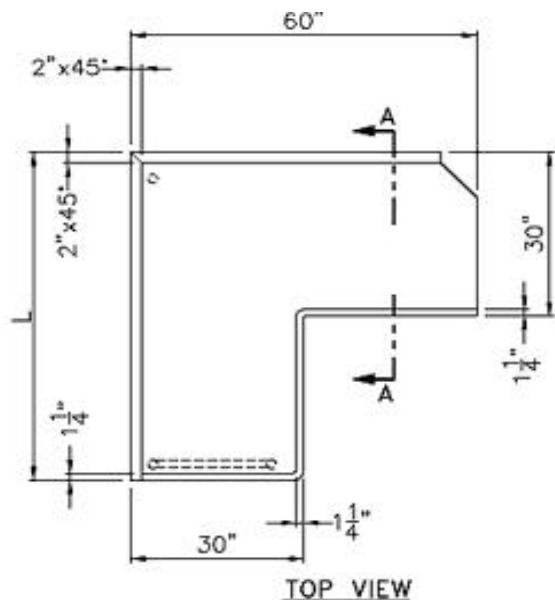
- 16 gauge stainless steel - 1-5/8" OD tubing
- Stainless steel gusset
- 1" adjustable stainless steel bullet feet

CROSSRAILS:

- 16 gauge stainless steel - 1-1/4" OD tubing
- Welded to legs



DUKE DISHTABLES
CLEAN - CORNER

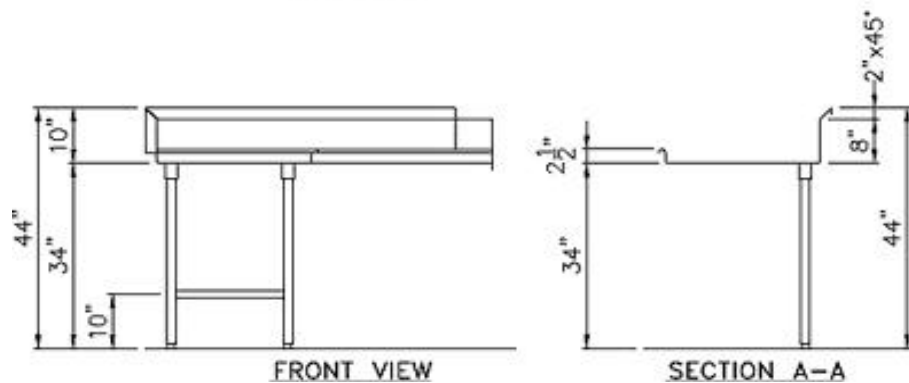


Supreme/14 ga.

Deluxe/16 ga.

- SCCD-24 L or R
- SCCD-36 L or R
- SCCD-48 L or R
- SCCD-60 L or R
- SCCD-72 L or R
- SCCD-96 L or R
- SCCD-120 L or R
- DCCD-24 L or R
- DCCD-36 L or R
- DCCD-48 L or R
- DCCD-60 L or R
- DCCD-72 L or R
- DCCD-96 L or R
- DCCD-120 L or R

L - Left side of dishwasher / R - Right side of dishwasher



A.I.A. File No. 35-C-13

Catalog No. DISHCLCOR

AEROHOT DISHTABLES - CLEAN - CORNER

DIMENSIONS:

Freight Class: 85

Model	"L" Size		Width (front to back)		Height		Cube ft. crated	Weight	
	in.	cm	in.	cm	in.	cm		lbs.	kg
SCCD-48 L or R DCCD-48 L or R	48	121.9	30	76.2	34	86.4	34.7	145	65.9
SCCD-60 L or R DCCD-60 L or R	60	152.4	30	76.2	34	86.4	54.6	165	75.0
SCCD-72 L or R DCCD-72 L or R	72	182.9	30	76.2	34	86.4	64.5	190	86.4
SCCD-96 L or R DCCD-96 L or R	96	243.8	30	76.2	34	86.4	84.3	215	97.7
SCCD-120 L or R DCCD-120 L or R	120	304.8	30	76.2	34	86.4	104.1	265	120.5



DUKE MANUFACTURING CO.
2305 N. Broadway
St. Louis, MO 63102

"Your Solutions Partner"

800.735.3853 Toll Free
314.231.1130 In Missouri
314.231.5074 Fax
www.dukemfg.com

8/00

Specifications subject to change

Printed in U.S.A.
©2000, Duke Manufacturing Co.