

Duke Specifications



"Your Solutions Partner"

F.O.B. St. Louis, Missouri 63102



SCSD-60L

MODIFICATIONS:

- 12" x 15" disp. control bracket w/V.B. holes in splash - **SK-6**
- Installation of disposer collar (collar by others) - **SK-15**
- Flanged feet - **SK-19**
- Stainless steel welded leg assembly (H-frame)
 - units 120" and longer to have 2 - **SK-32**
- Scrap block installed - **SK-34**
- Stainless steel sink cover - **SK-35**
- Stainless steel perforated basket with molded slide rail - **SK-57**
- Stainless steel welded lengthwise crossrail - **SK-58**
- Stainless steel rack slide - **SK-59**
- 5" x 7" disp. switch bracket w/V.B. holes in splash - **SK-60**

- 18 gauge stainless steel removable undershelf
 - DTUDSS-18**
 - DTUDSS-54**
 - DTUDSS-24**
 - DTUDSS-66**
 - DTUDSS-30**
 - DTUDSS-78**
 - DTUDSS-42**

SPECIAL MODIFICATIONS:

Special modifications may be added. Consult Accessories and Modifications specification sheet.

AGENCY LISTING:



DUKE MANUFACTURING CO.
 2305 N. Broadway
 St. Louis, MO 63102

800.735.3853 Toll Free
 314.231.1130 In Missouri
 314.231.5074 Fax
 www.dukemfg.com

PROJECT INFORMATION:

PROJECT: _____
 ITEM: _____
 QUANTITY: _____

MODEL:

Duke Dishtables
 Corner-Soil

<u>Supreme / 14 ga.</u>	<u>Deluxe / 16 ga.</u>	<u>Length</u>
<input type="checkbox"/> SCSD-48 L or R	<input type="checkbox"/> DCSD-48 L or R	48" length unit
<input type="checkbox"/> SCSD-60 L or R	<input type="checkbox"/> DCSD-60 L or R	60" length unit
<input type="checkbox"/> SCSD-72 L or R	<input type="checkbox"/> DCSD-72 L or R	72" length unit
<input type="checkbox"/> SCSD-96 L or R	<input type="checkbox"/> DCSD-96 L or R	96" length unit
<input type="checkbox"/> SCSD-120 L or R	<input type="checkbox"/> DCSD-120 L or R	120" length unit

L - Left side of dishwasher / R - Right side of dishwasher

Supreme-Corner-Soil-Dishtable

TOP:

- 14 gauge, 300 Series stainless steel
- 1-1/4" rolled rim - 2-1/2" high on front and side
- 10" rear splash - turned up 8", returned to wall
- 2" high on 45° angle with 1" turn down

BOWL:

- 14 gauge, 300 Series stainless steel
- 20-1/2" x 20-1/2" x 5" deep

UNDERBRACING:

- 12 gauge on 24" centers

LEGS:

- 16 gauge stainless steel - 1-5/8" OD tubing
- Stainless steel gusset
- 1" adjustable stainless steel bullet feet

CROSSRAILS:

- 16 gauge stainless steel - 1-1/4" OD tubing
- Welded to legs

Deluxe-Corner-Soil-Dishtable

TOP:

- 16 gauge, 300 Series stainless steel
- 1-1/4" rolled rim - 2-1/2" high on front and side
- 10" rear splash - turned up 8", returned to wall
- 2" high on 45° angle with 1" turn down

BOWL:

- 16 gauge, 300 Series stainless steel
- 20-1/2" x 20-1/2" x 5" deep

UNDERBRACING:

- 12 gauge on 24" centers

LEGS:

- 16 gauge stainless steel - 1-5/8" OD tubing
- Stainless steel gusset
- 1" adjustable stainless steel bullet feet

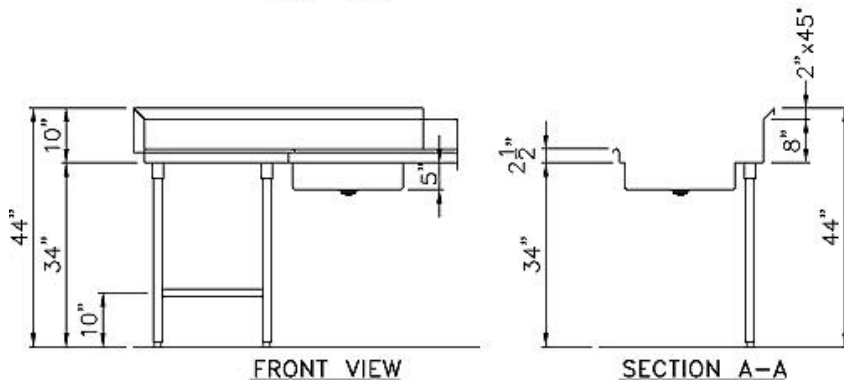
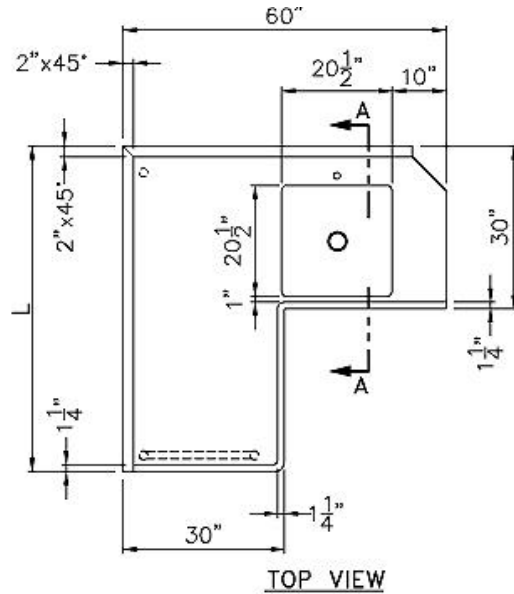
CROSSRAILS:

- 16 gauge stainless steel - 1-1/4" OD tubing
- Welded to legs



**DUKE DISHTABLES
CORNER -SOIL**

- | | | | | |
|--------------------------|------------------------|--------------------------|-----------------------|------------------|
| <input type="checkbox"/> | Supreme /14 ga. | <input type="checkbox"/> | Deluxe /16 ga. | Length |
| <input type="checkbox"/> | SCSD-48 L or R | <input type="checkbox"/> | DCSD-48 L or R | 48" length unit |
| <input type="checkbox"/> | SCSD-60 L or R | <input type="checkbox"/> | DCSD-60 L or R | 60" length unit |
| <input type="checkbox"/> | SCSD-72 L or R | <input type="checkbox"/> | DCSD-72 L or R | 72" length unit |
| <input type="checkbox"/> | SCSD-96 L or R | <input type="checkbox"/> | DCSD-96 L or R | 96" length unit |
| <input type="checkbox"/> | SCSD-120 L or R | <input type="checkbox"/> | DCSD-120 L or R | 120" length unit |
- L - Left side of dishwasher / R - Right side of dishwasher



DIMENSIONS:

Freight Class: 85

Model	"L" Length		Width		Height		Cube ft. crated	Weight	
	in.	cm	in.	cm	in.	cm		lbs.	kg
SCSD-48 L or R DCSD-48 L or R	48	121.9	30	76.2	34	86.4	44.6	165	75.0
SCSD-60 L or R DCSD-60 L or R	60	152.4	30	76.2	34	86.4	54.6	190	86.4
SCSD-72 L or R DCSD-72 L or R	72	182.9	30	76.2	34	86.4	64.5	215	97.7
SCSD-96 L or R DCSD-96 L or R	96	243.8	30	76.2	34	86.4	84.3	240	109.1
SCSD-120 L or R DCSD-120 L or R	120	304.8	30	76.2	34	86.4	104.1	290	131.8



DUKE MANUFACTURING CO.
2305 N. Broadway
St. Louis, MO 63102

800.735.3853 Toll Free
314.231.1130 In Missouri
314.231.5074 Fax
www.dukemfg.com

"Your Solutions Partner"

Specifications subject to change

8/00

Printed in U.S.A.
©2000, Duke Manufacturing Co.