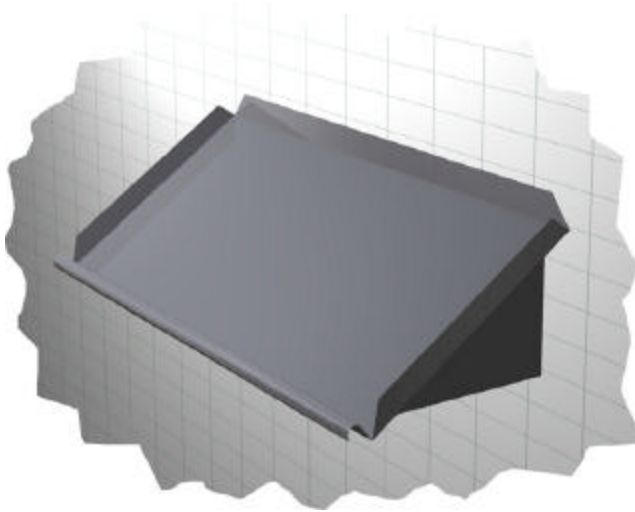


Duke Specifications



"Your Solutions Partner"

F.O.B. St. Louis, Missouri 63102



Wall Rack Shelf

MODIFICATIONS:

- Drainhole (for both units) - **DH-1**
- Flanged feet (for tables with casters - **SK-19**)
- Stainless steel welded lengthwise crossrail (both units) - **SK-58**
- Casters (for tables with legs) - **STC-1**

Special modifications may be added; consult the Accessories and Modifications specification sheet.

AGENCY LISTING:



DUKE MANUFACTURING CO.
2305 N. Broadway
St. Louis, MO 63102

800.735.3853 Toll Free
314.231.1130 In Missouri
314.231.5074 Fax
www.dukemfg.com

PROJECT INFORMATION:

PROJECT: _____
 ITEM: _____
 QUANTITY: _____

MODEL:

Duke Dishtables
 Rack Shelves

Wall Mounted Rack Shelves

	<u>Solid</u>	<u>Tubular</u>	<u>Length</u>
<input type="checkbox"/>	SD-1	<input type="checkbox"/> TD-1	21" length
<input type="checkbox"/>	SD-2	<input type="checkbox"/> TD-2	42" length
<input type="checkbox"/>	SD-3	<input type="checkbox"/> TD-3	63" length
<input type="checkbox"/>	SD-4	<input type="checkbox"/> TD-4	84" length
		<input type="checkbox"/> TD-5	Table Mounted

Solid Shelf -

SHELF:

- 16 gauge, 300 Series stainless steel
- 1-1/4" rolled rim - 2" high on rear and sides
- Open corners

WALL BRACKETS:

- 14 gauge stainless steel
- Sloped at 30° angle

Tubular Shelf -

SHELF:

- 16 gauge stainless steel 1-5/8" OD tubing

WALL BRACKETS:

- 14 gauge stainless steel

SHORT FORM SPECIFICATIONS:

Duke Aerohot Dishtables - Wall Mounted Rack Shelf.

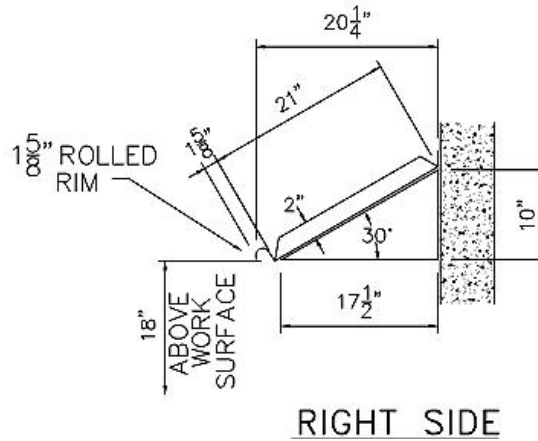
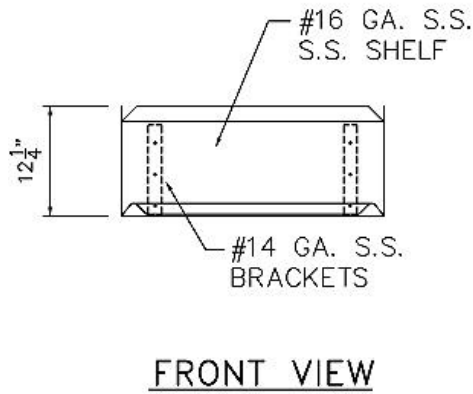
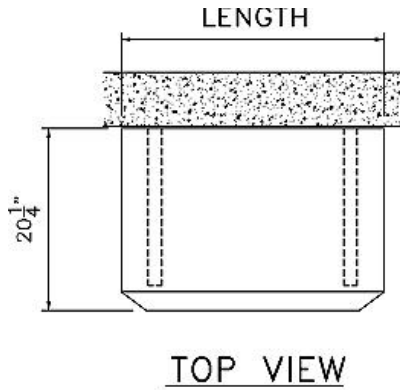
Solid Shelf to be constructed of 16 gauge, 300 Series stainless steel with 1-1/4" rolled rim on front and straight 2" high rim on rear and sides. Open corners on shelf. Brackets to be of 14 gauge stainless steel, sloped at a 30° angle.

Tubular Shelf to be constructed of 16 gauge stainless steel formed into 1-5/8" OD tubing mounted on 14 gauge stainless steel brackets.

Aerohot®

DUKE DISHTABLES
Rack Shelves -
Wall Mounted Rack Shelves

- | | | | |
|--------------------------|--------------|-------------------------------|---------------|
| | Solid | Tubular | Length |
| <input type="checkbox"/> | SD-1 | <input type="checkbox"/> TD-1 | 21" length |
| <input type="checkbox"/> | SD-2 | <input type="checkbox"/> TD-2 | 42" length |
| <input type="checkbox"/> | SD-3 | <input type="checkbox"/> TD-3 | 63" length |
| <input type="checkbox"/> | SD-4 | <input type="checkbox"/> TD-4 | 84" length |
| | | <input type="checkbox"/> TD-5 | Table Mounted |



Wall Mounted Rack Shelves

SOLID DESIGN						TUBULAR DESIGN					
Model	Length		Weight		Cube ft. crated	Model	Length		Weight		Cube ft. crated
	in.	cm	lbs.	kg			in.	cm	lbs.	kg	
SD-1	48	121.9	80	36.3	1.0	TD-1	21	53.3	15	6.8	1.0
SD-2	60	152.4	95	43.1	2.0	TD-2	42	106.7	23	10.5	2.0
SD-3	72	182.9	110	49.9	4.0	TD-3	63	160.0	30	13.6	4.0
SD-4	96	243.8	140	63.5	5.0	TD-4	84	213.4	38	17.3	5.0
						TD-5	Table Mounted				



"Your Solutions Partner"

DUKE MANUFACTURING CO.
 2305 N. Broadway
 St. Louis, MO 63102

800.735.3853 Toll Free
 314.231.1130 In Missouri
 314.231.5074 Fax
www.dukemfg.com

Specifications subject to change

8/00

Printed in U.S.A.
 ©2000, Duke Manufacturing Co.