

Duke Specifications



"Your Solutions Partner"

F.O.B. St. Louis, Missouri 63102



SDSD-60R

MODIFICATIONS:

- 12" x 15" disp. control bracket w/V.B. holes in splash - **SK-6**
- Installation of disposer collar - collar by others - **SK-15**
- Flanged feet - **SK-19**
- Additional stainless steel welded leg assembly (H-frame) - units 120" and longer to have 2 - **SK-32**
- Scrap block installed - **SK-34**
- Stainless steel sink cover - **SK-35**
- Stainless steel perforated basket with molded slide rail - **SK-57**
- Stainless steel welded lengthwise crossrail - **SK-58**
- Stainless steel rack slide - **SK-59**
- 5" x 7" disp. switch w/V.B. holes in splash - **SK-60**

18 gauge stainless steel removable undershelf

- | | |
|---|---|
| <input type="checkbox"/> DTUDSS-18 | <input type="checkbox"/> DTUDSS-54 |
| <input type="checkbox"/> DTUDSS-24 | <input type="checkbox"/> DTUDSS-66 |
| <input type="checkbox"/> DTUDSS-30 | <input type="checkbox"/> DTUDSS-78 |
| <input type="checkbox"/> DTUDSS-42 | |

Special modifications may be added; consult the Accessories and Modifications specification sheet.

AGENCY LISTING:



DUKE MANUFACTURING CO.
2305 N. Broadway
St. Louis, MO 63102

800.735.3853 Toll Free
314.231.1130 In Missouri
314.231.5074 Fax
www.dukemfg.com

PROJECT INFORMATION:

PROJECT: _____

ITEM: _____

QUANTITY: _____

MODEL: _____

Duke Dishtables
Dishlanding-Soil

<u>Supreme / 14 ga.</u>	<u>Deluxe / 16 ga.</u>	<u>Length</u>
<input type="checkbox"/> SDSD-48 L or R	<input type="checkbox"/> DDSD-48 L or R	48" length unit
<input type="checkbox"/> SDSD-60 L or R	<input type="checkbox"/> DDSD-60 L or R	60" length unit
<input type="checkbox"/> SDSD-72 L or R	<input type="checkbox"/> DDSD-72 L or R	72" length unit
<input type="checkbox"/> SDSD-96 L or R	<input type="checkbox"/> DDSD-96 L or R	96" length unit
<input type="checkbox"/> SDSD-120 L or R	<input type="checkbox"/> DDSD-120 L or R	120" length unit

L - Left side of dishwasher / R - Right side of dishwasher

Supreme-Dishlanding-Soil-Dishtable

TOP:

- 14 gauge, 300 Series stainless steel
- 1-1/4" rolled rim - 2-1/2" high on front and side
- 10" rear splash - turned up 8", returned to wall
- 2" high on 45° angle with 1" turn down

BOWL:

- 14 gauge, 300 Series stainless steel
- 20-1/2" x 20-1/2" x 5" deep

UNDERBRACING:

- 12 gauge angle on 24" centers

LEGS:

- 16 gauge stainless steel - 1-5/8" OD tubing
- Stainless steel gusset
- 1" adjustable stainless steel bullet feet

CROSSRAILS:

- 16 gauge stainless steel - 1-1/4" OD tubing
- Welded to legs

Deluxe-Dishlanding-Soil-Dishtable

TOP:

- 16 gauge, 300 Series stainless steel
- 1-1/4" rolled rim - 2-1/2" high on front and side
- 10" rear splash - turned up 8", returned to wall
- 2" high on 45° angle with 1" turn down

BOWL:

- 16 gauge, 300 Series stainless steel
- 20-1/2" x 20-1/2" x 5" deep

UNDERBRACING:

- 12 gauge angle on 24" centers

LEGS:

- 16 gauge stainless steel - 1-5/8" OD tubing
- Stainless steel gusset
- 1" adjustable stainless steel bullet feet

CROSSRAILS:

- 16 gauge stainless steel - 1-1/4" OD tubing
- Welded to legs

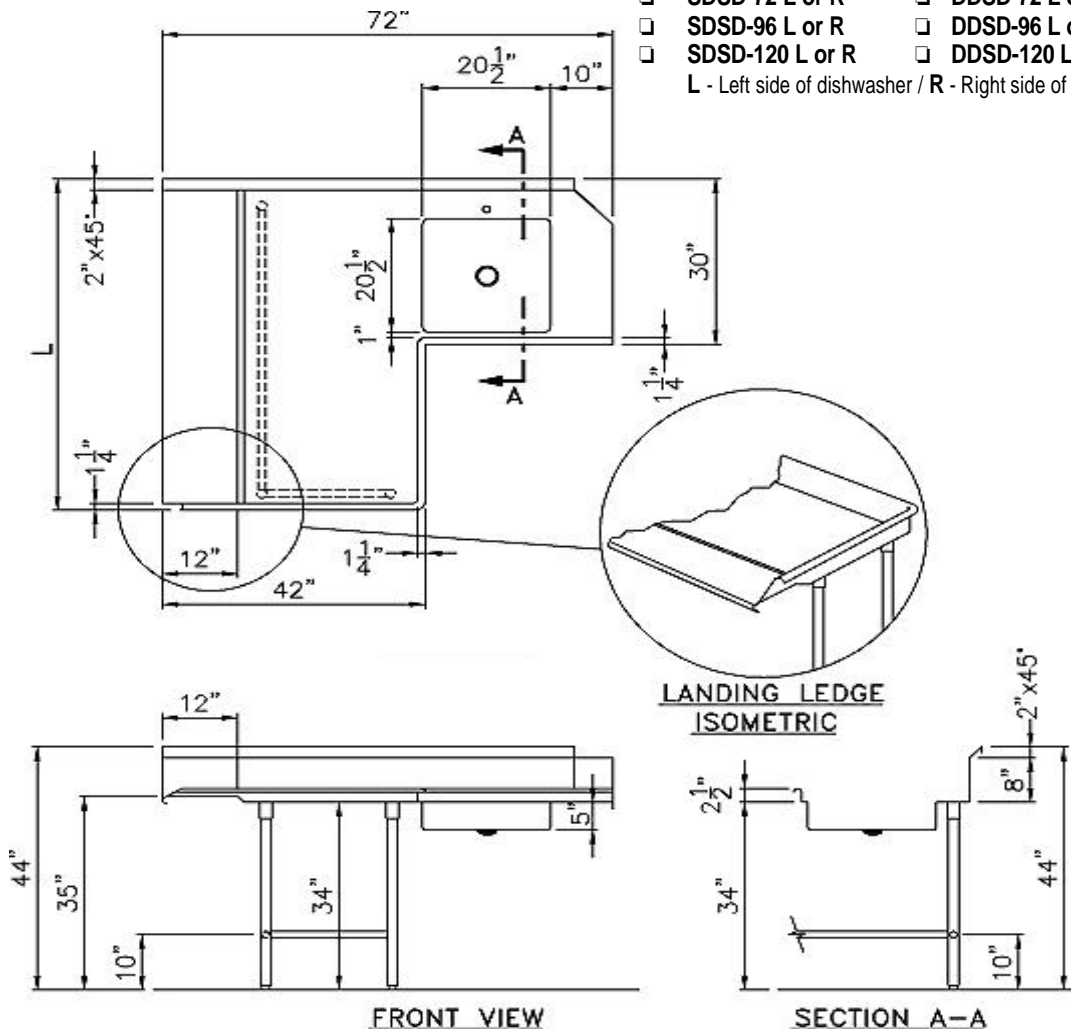
DISHLANDING: - FOR SUPREME & DELUXE

- 12" wide ledge - 1-1/4" rolled edge front
- 1" turndown on 45°

Aerohot®

**DUKE DISHTABLES
DISHLANDING-SOIL**

- | | | | |
|--------------------------|------------------------|--|------------------|
| | Supreme /14 ga. | Deluxe /16 ga. | Length |
| <input type="checkbox"/> | SDSD-48 L or R | <input type="checkbox"/> DDSD-48 L or R | 48" length unit |
| <input type="checkbox"/> | SDSD-60 L or R | <input type="checkbox"/> DDSD-60 L or R | 60" length unit |
| <input type="checkbox"/> | SDSD-72 L or R | <input type="checkbox"/> DDSD-72 L or R | 72" length unit |
| <input type="checkbox"/> | SDSD-96 L or R | <input type="checkbox"/> DDSD-96 L or R | 96" length unit |
| <input type="checkbox"/> | SDSD-120 L or R | <input type="checkbox"/> DDSD-120 L or R | 120" length unit |
- L - Left side of dishwasher / R - Right side of dishwasher



DIMENSIONS:

Freight Class: 85

Model	"L" Sizes		Width (front to back)		Height		Cube ft. crated	Weight	
	in.	cm	in.	cm	in.	cm		lbs.	kg
SDSD-48 L or R DDSD-48 L or R	48 x 42	121.9 x 106.7	42	106.7	34	86.4	99.8	180	81.8
SDSD-60 L or R DDSD-60 L or R	60 x 42	152.4 x 106.7	42	106.7	34	86.4	121.9	205	93.2
SDSD-72 L or R DDSD-72 L or R	72 x 42	182.9 x 106.7	42	106.7	34	86.4	144.1	230	104.6
SDSD-96 L or R DDSD-96 L or R	96 x 42	243.8 x 106.7	42	106.7	34	86.4	188.4	255	115.9
SDSD-120 L or R DDSD-120 L or R	120 x 42	304.8 x 106.7	42	106.7	34	86.4	232.8	305	138.6



DUKE MANUFACTURING CO.
2305 N. Broadway
St. Louis, MO 63102

800.735.3853 Toll Free
314.231.1130 In Missouri
314.231.5074 Fax
www.dukemfg.com

"Your Solutions Partner"

Specifications subject to change