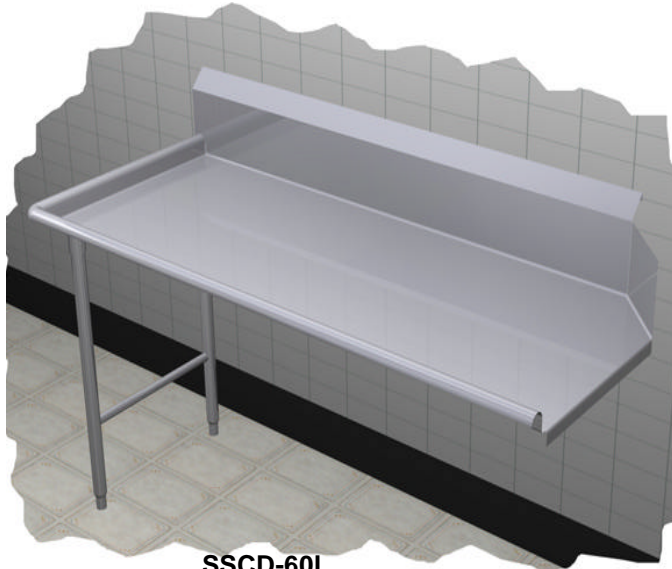


Duke Specifications



"Your Solutions Partner"

F.O.B. St. Louis, Missouri 63102



SSCD-60L

STANDARD MODIFICATIONS:

- Flanged feet - **SK-19**
- Install Booster Heater Brackets (brackets not included) - **SK-27**
- Stainless steel welded leg assembly (H-frame) - **SK-32**
(One standard - units over 120" to have 2)
- Stainless steel welded lengthwise crossrail - **SK-58**

- 18 gauge stainless steel removable undershelf
 - DTUDSS-18**
 - DTUDSS-24**
 - DTUDSS-30**
 - DTUDSS-42**
 - DTUDSS-54**
 - DTUDSS-66**
 - DTUDSS-78**

SPECIAL MODIFICATIONS:

Special modifications may be added. Consult Accessories and Modification specification sheet.

AGENCY LISTING:



DUKE MANUFACTURING CO.
2305 N. Broadway
St. Louis, MO 63102

800.735.3853 Toll Free
314.231.1130 In Missouri
314.231.5074 Fax
www.dukemfg.com

PROJECT INFORMATION:

PROJECT: _____
ITEM: _____
QUANTITY: _____

MODEL:

Duke Dishtables Straight Clean

<u>Supreme / 4 ga.</u>	<u>Deluxe / 16 ga.</u>	<u>Length</u>
<input type="checkbox"/> SSCD-24 L or R	<input type="checkbox"/> DSCD-24 L or R	24" length unit
<input type="checkbox"/> SSCD-36 L or R	<input type="checkbox"/> DSCD-36 L or R	36" length unit
<input type="checkbox"/> SSCD-48 L or R	<input type="checkbox"/> DSCD-48 L or R	48" length unit
<input type="checkbox"/> SSCD-60 L or R	<input type="checkbox"/> DSCD-60 L or R	60" length unit
<input type="checkbox"/> SSCD-72 L or R	<input type="checkbox"/> DSCD-72 L or R	72" length unit
<input type="checkbox"/> SSCD-96 L or R	<input type="checkbox"/> DSCD-96 L or R	96" length unit
<input type="checkbox"/> SSCD-120 L or R	<input type="checkbox"/> DSCD-120 L or R	120" length unit

L - Left side of dishwasher / R - Right side of dishwasher

Supreme Straight Clean Dishtable

TOP:

- 14 gauge, 300 Series stainless steel
- 1-1/4" rolled rim - 2-1/2" high on front and side
- 10" rear splash - turned up 8", returned to wall
- 2" high on 45° angle with 1" turn down

UNDERBRACING:

- 12 gauge angle on 24" centers

LEGS:

- 16 gauge stainless steel - 1-5/8" OD tubing
- Stainless steel gusset
- 1" adjustable stainless steel bullet feet

CROSSRAILS:

- 16 gauge stainless steel - 1-1/4" OD tubing
- Welded to legs

Deluxe Straight Clean Dishtable

TOP:

- 16 gauge, 300 Series stainless steel
- 1-1/4" rolled rim - 2-1/2" high on front and side
- 10" rear splash - turned up 8", returned to wall
- 2" high on 45° angle with 1" turn down

UNDERBRACING:

- 12 gauge angle on 24" centers

LEGS:

- 16 gauge stainless steel - 1-5/8" OD tubing
- Stainless steel gusset
- 1" adjustable stainless steel bullet feet

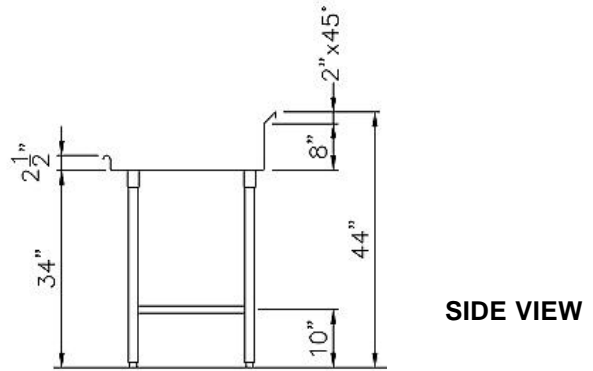
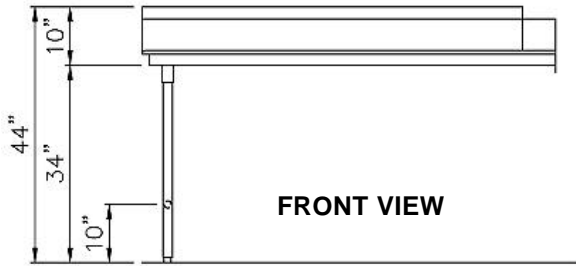
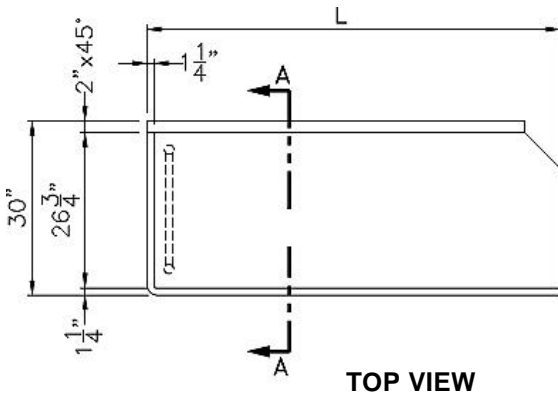
CROSSRAILS:

- 16 gauge stainless steel - 1-1/4" OD tubing
- Welded to legs



DUKE DISHTABLES
CLEAN - STRAIGHT

- | | <u>Supreme/14 ga.</u> | <u>Deluxe/16 ga.</u> | <u>Length</u> |
|--------------------------|-----------------------|--|------------------|
| <input type="checkbox"/> | SSCD-24 L or R | <input type="checkbox"/> DSCD-24 L or R | 24" length unit |
| <input type="checkbox"/> | SSCD-36 L or R | <input type="checkbox"/> DSCD-36 L or R | 36" length unit |
| <input type="checkbox"/> | SSCD-48 L or R | <input type="checkbox"/> DSCD-48 L or R | 48" length unit |
| <input type="checkbox"/> | SSCD-60 L or R | <input type="checkbox"/> DSCD-60 L or R | 60" length unit |
| <input type="checkbox"/> | SSCD-72 L or R | <input type="checkbox"/> DSCD-72 L or R | 72" length unit |
| <input type="checkbox"/> | SSCD-96 L or R | <input type="checkbox"/> DSCD-96 L or R | 96" length unit |
| <input type="checkbox"/> | SSCD-120 L or R | <input type="checkbox"/> DSCD-120 L or R | 120" length unit |
- L - Left side of dishwasher / R - Right side of dishwasher



DIMENSIONS:

Freight Class: 85

Model	"L" Sizes		Width (front to back)		Height - w/o riser		Cube ft. crated	Weight	
	in.	cm	in.	cm	in.	cm		lbs.	kg
SSCD-24 L or R DSCD-24 L or R	24	61.0	30	76.2	34	86.4	24.8	35	15.9
SSCD-36 L or R DSCD-36 L or R	36	91.7	30	76.2	34	86.4	34.7	45	20.5
SSCD-48 L or R DSCD-48 L or R	48	121.7	30	76.2	34	86.4	44.6	60	27.3
SSCD-60 L or R DSCD-60 L or R	60	152	30	76.2	34	86.4	54.6	70	31.8
SSCD-72 L or R DSCD-72 L or R	72	182.9	30	76.2	34	86.4	64.5	85	38.6
SSCD-96 L or R DSCD-96 L or R	96	243.8	30	76.2	34	86.4	84.3	110	49.9
SSCD-120 L or R DSCD-120 L or R	120	304.7	30	76.2	34	86.4	104.1	160	72.6



"Your Solutions Partner"

DUKE MANUFACTURING CO.
 2305 N. Broadway
 St. Louis, MO 63102

800.735.3853 Toll Free
 314.231.1130 In Missouri
 314.231.5074 Fax
www.dukemfg.com

Specifications subject to change