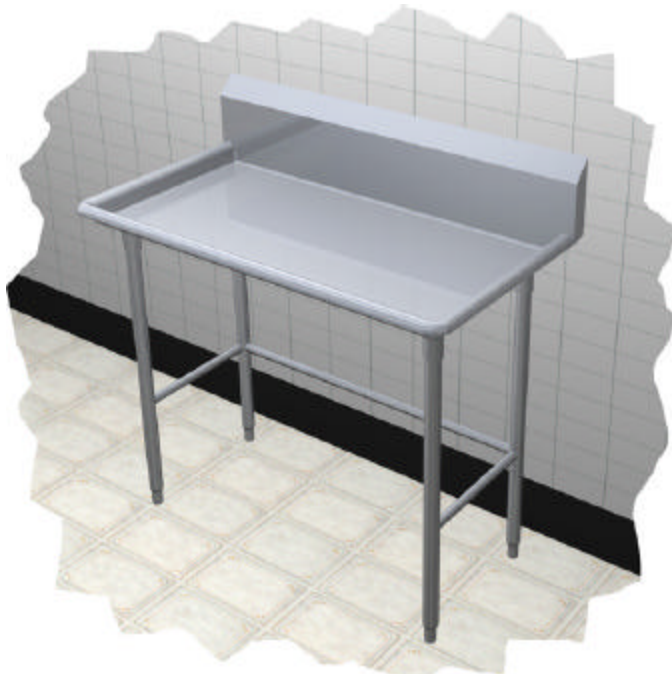


# Duke Specifications



“Your Solutions Partner”

F.O.B. St. Louis, Missouri 63102



**STW-48**  
**Wall Sorting Table**  
**with Riser**

#### MODIFICATIONS:

- Drainhole (for both units) - **DH-1**
- Flanged feet (for tables with casters - **SK-19**)
- Stainless steel welded lengthwise crossrail (both units) - **SK-58**
- Casters (for tables with legs) - **STC-1**

Special modifications may be added; consult the Accessories and Modifications specification sheet.

#### AGENCY LISTING:



**DUKE MANUFACTURING CO.**  
**2305 N. Broadway**  
**St. Louis, MO 63102**

**800.735.3853 Toll Free**  
**314.231.1130 In Missouri**  
**314.231.5074 Fax**  
**www.dukemfg.com**

#### PROJECT INFORMATION:

PROJECT: \_\_\_\_\_  
ITEM: \_\_\_\_\_  
QUANTITY: \_\_\_\_\_

#### MODEL:

Duke Dishables  
Wall Sorting Tables

#### Sorting Tables - Wall

- STW-48** 48" length unit
- STW-60** 60" length unit
- STW-72** 72" length unit

#### TOP:

- 16 gauge, 300 Series stainless steel
- 1-1/4" rolled rim - 2-1/2" high on front and side
- 10" rear splash - turned up 8", returned to wall
- 2" high on 45° angle with 7/8" turn down

#### LEGS:

- 16 gauge stainless steel - 1-5/8" OD tubing
- Stainless steel gusset
- 1" adjustable stainless steel bullet feet

#### CROSSRAILS:

- 16 gauge stainless steel - 1-1/4" OD tubing
- Welded to legs

#### SHORT FORM SPECIFICATIONS:

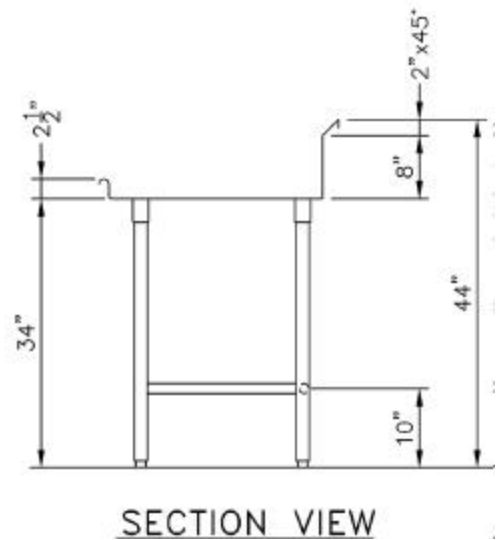
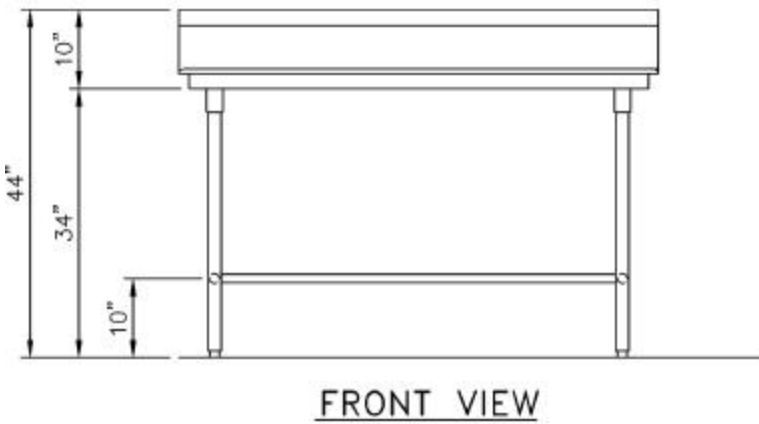
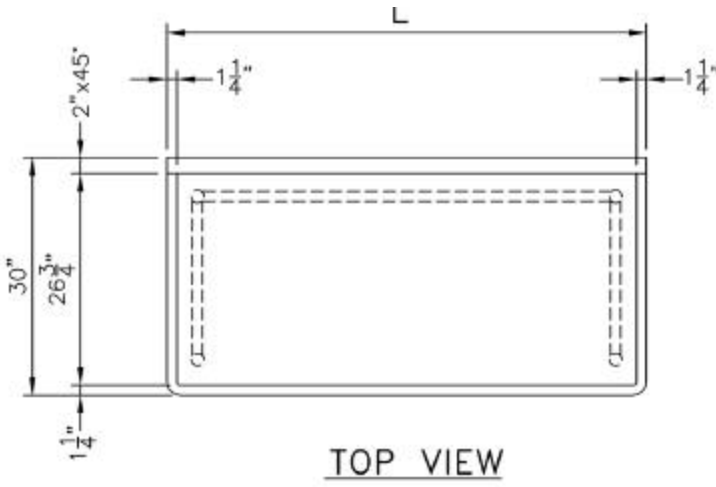
Duke Aerohot Dishables - Wall Sorting Table. Top shall be constructed of 16 gauge, 300 Series stainless steel. 1-1/4" rolled rim on top, with 2-1/2" high edge on front and sides. Table to have 10" rear splash to be turned up 8", and returned to wall. Rear riser to be 2" on 45° angle with 1" turn down. Legs to be 16 gauge stainless steel of 1-5/8" OD tubing with stainless gusset and 1" adjustable stainless steel bullet feet. Unit to be supplied with crossrails of 16 gauge stainless steel of 1-1/4" OD tubing which are to be welded to legs for rigidity.



**DUKE DISHTABLES  
SORTING TABLES**

Sorting Tables - Wall

- STW-48** 48" length
- STW-60** 60" length
- STW-72** 72" length



Sorting Tables

Model	Length		Width		Height		Cube ft. crated	Weight	
	in.	cm	in.	cm	in.	cm		lbs.	kg
STW-48	48	121.9	30	76.2	44	111.8	43.0	70	31.8
STW-60	60	152.4	30	76.2	44	111.8	67.5	85	38.6
STE-72	72	182.9	30	76.2	44	111.8	79.8	92	40.3



"Your Solutions Partner"

**DUKE MANUFACTURING CO.**  
2305 N. Broadway  
St. Louis, MO 63102

800.735.3853 Toll Free  
314.231.1130 In Missouri  
314.231.5074 Fax  
[www.dukemfg.com](http://www.dukemfg.com)