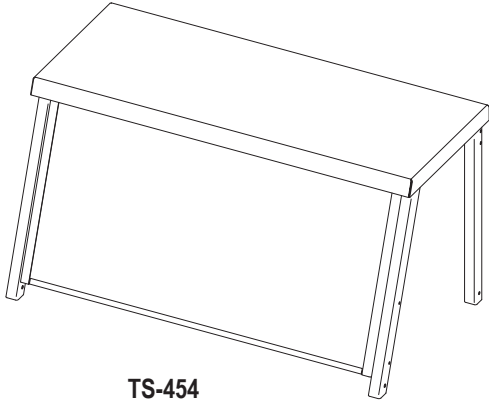




"Your Solutions Partner"

# Specifications

F.O.B Sedalia, Missouri 65301



TS-454

### OPTIONS:

- Full length fluorescent lights
- Heat lamps
- Heat lamps with incandescent lights

### AGENCY LISTINGS:



**DUKE MANUFACTURING CO.**  
 2305 N. Broadway  
 St. Louis, MO 63102

800.735.3853 Toll Free  
 314.231.1130 In Missouri  
 314.231.5074 Fax  
 www.dukemfg.com

Approval Stamp(s):

### PRODUCT INFORMATION:

PROJECT: \_\_\_\_\_

ITEM: \_\_\_\_\_

QUANTITY: \_\_\_\_\_

### MODEL:

#### Thurmaduke - Single Deck Food Shields

- TS-454-32
- TS-454-46
- TS-454-60
- TS-454-74
- TS-454-88

### FOOD SHIELD:

- 1" square stainless steel tubing
- Flip out 1/4" thick glass sneeze shield
- 14 gauge stainless steel top shelf

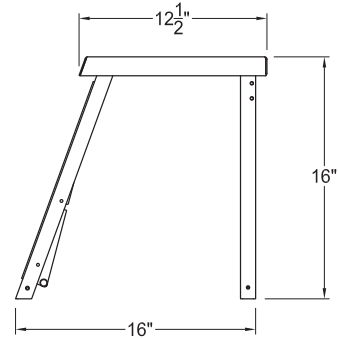
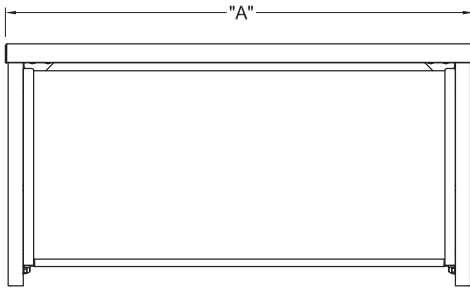
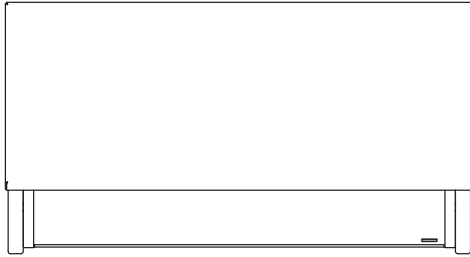
### SHORT FORM SPECIFICATIONS:

**Thurmaduke - Single Deck - Food Shield.** Constructed of 1" square stainless steel tubing uprights. Top shelf constructed of 14 gauge stainless steel with straight turndowns on all sides. Sneeze shield to flip-out for cleaning and constructed of 1/4" thick glass with stainless steel edging. Fluorescent lights, heat lamps and heat lamps with incandescent lights are available.



**THURMADUKE - SINGLE DECK FOOD SHIELDS**

- TS-454-32
- TS-454-46
- TS-454-60
- TS-454-74
- TS-454-88



**DIMENSIONS:**

Model	Dimension "A"		Electrical		
	in.	cm.	Fluorescent Lights	Heat Lamps	Heat Lamps with Incandescent Lights
			<b>120 Volt / 1 Phase</b>	<b>120 Volt / 1 Phase</b>	<b>120 Volt / 1 Phase</b>
TS-454-32	31"	78.7	15 Watts, 0.13 Amps	250 Watts, 2.08 Amps	370 Watts, 3.08 Amps
TS-454-46	45"	114.3	30 Watts, 0.25 Amps	575 Watts, 4.79 Amps	755 Watts, 6.29 Amps
TS-454-60	59"	149.9	30 Watts, 0.25 Amps	800 Watts, 6.67 Amps	1040 Watts, 8.67 Amps
TS-454-74	73"	185.4	40 Watts, 0.38 Amps	900 Watts, 7.50 Amps	1140 Watts, 9.50 Amps
TS-454-88	87"	221	40 Watts, 0.38 Amps	1150 Watts, 9.58 Amps	1510 Watts, 12.58 Amps



"Your Solutions Partner"

**DUKE MANUFACTURING CO.**  
 2305 N. Broadway  
 St. Louis, MO 63102

800.735.3853 Toll Free  
 314.231.1130 In Missouri  
 314.231.5074 Fax  
[www.dukemfg.com](http://www.dukemfg.com)

Specification subject to change

01/07  
 Printed in U.S.A  
 © 2007, Duke Manufacturing Co.