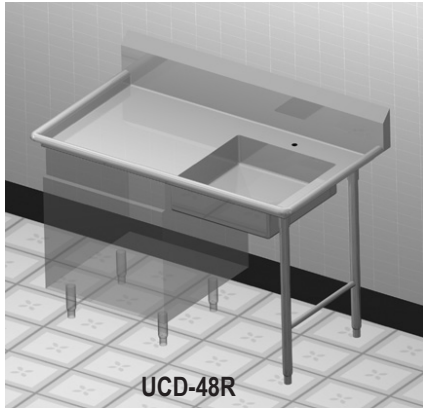




Specifications

F.O.B Sedalia, Missouri 65301



UCD-48R

MODIFICATIONS

- 5" X 7" disp. control bracket w/V.B. holes in splash - **SK-62**
- Installation of disposer collar - collar by others - **SK-15**
- Flanged feet - **SK-19**
- Scrap block installed - **SK-34**
- Stainless steel sink cover - **SK-13**
- Stainless steel perforated basket with molded slide rail - **SK-57**
- Stainless steel rack slide - **SK-59**
- Extra table length - **SK-10**

SPECIAL MODIFICATIONS

Special modification may be added. Consult Accessories and Modifications specification sheet.

AGENCY LISTING:



DUKE MANUFACTURING CO.
2305 N. Broadway
St. Louis, MO 63102

800.735.3853 Toll Free
314.231.1130 In Missouri
314.231.5074 Fax
www.dukemfg.com

Approval Stamp(s):

PRODUCT INFORMATION:

PROJECT: _____

ITEM: _____

QUANTITY: _____

MODEL:

Duke Dishtables - Undercounter

- UCD - 48 L or R** 48" length unit
- UCD - 60 L or R** 60" length unit
- UCD - 72 L or R** 72" length unit

L - Left side of dishwasher / R - Right Side of dishwasher

TOP:

- 16 gauge, 300 Series stainless steel
- 1-1/4" rolled rim - 2-1/2" high on front and side
- 5" rear splash - turned up 8", returned to wall
- 2" high on 45° angle with 1" turn down

BOWL:

- 16 gauge, 300 Series stainless steel
- 20-1/2" x 20-1/2" x 5" deep

LEGS:

- 16 gauge stainless steel - 1-5/8" OD tubing
- Stainless steel gusset
- 1" adjustable stainless steel bullet feet

CROSSRAILS:

- 16 gauge stainless steel - 1-1/4" OD tubing
- Welded to legs

SHORT FORM SPECIFICATIONS:

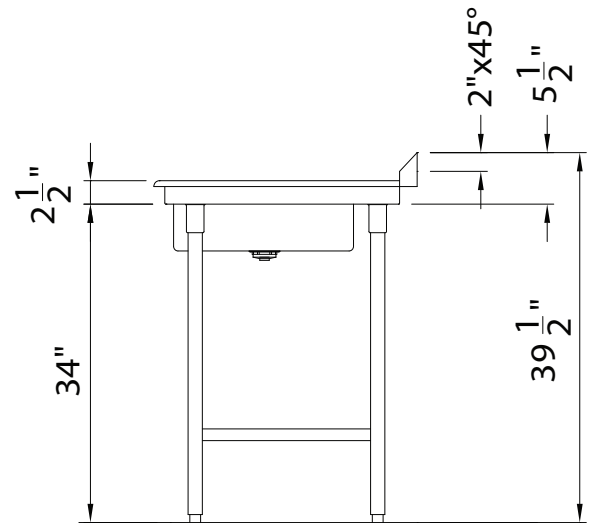
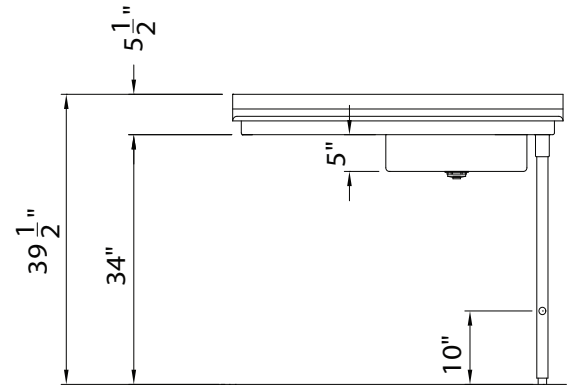
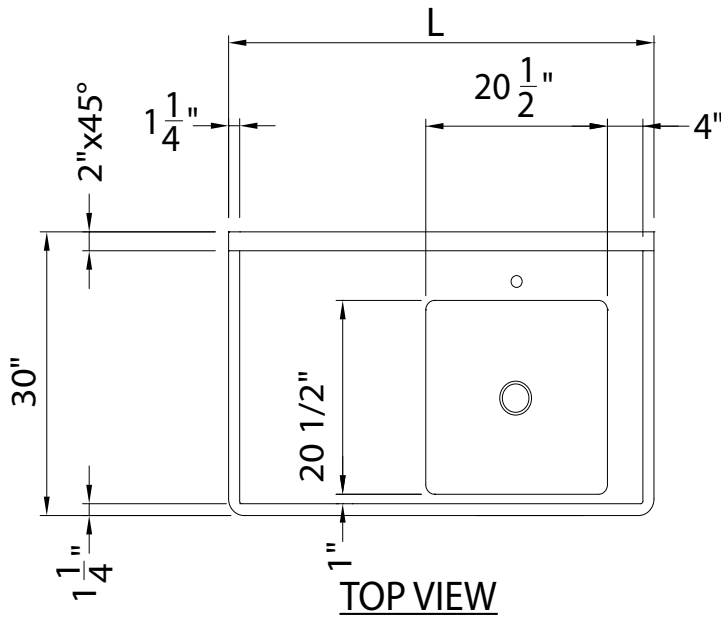
Duke Dishtables - Undercounter. Top, legs and feet formed of 16 gauge 300 Series stainless steel. Top to have 1-1/4" rolled rim, 2-1/2" high on front and sides. 5" rear splash to be turned up 3" and returned to wall. Rear splash to be 2" on 45° angle with 1" turndown. Bowl to measure 20-1/2" x 20-1/2" x 5" deep. Stainless steel legs to be 1-5/8" OD tubing with stainless gusset and mounted on 1" adjustable stainless steel bullet feet. Unit crossrails to be constructed of 16 gauge stainless steel 1-1/4" OD tubing and welded to legs. Left to right or right to left configurations. Available in 4, 5, and 6 feet lengths.



DUKE DISHTABLES - UNDERCOUNTER

- UCD - 48 L or R 48" length unit
- UCD - 60 L or R 60" length unit
- UCD - 72 L or R 72" length unit

L - Left side of dishwasher / R - Right Side of dishwasher



DIMENSIONS:

Freight Class: 85

Model	"L" Size		Width (front to back)		Height		Cube ft. Crated	Weight	
	in.	cm	in.	cm	in.	cm		lbs.	kg
UCD-48 L or R	48	121.9	30	76.2	34	86.4	44.0	80	36.4
UCD-60 L or R	60	152.4	30	76.2	34	86.4	54.6	100	45.5
UCD-72 L or R	72	182.9	30	76.2	34	86.4	64.5	120	54.6



DUKE MANUFACTURING CO.

2305 N. Broadway
St. Louis, MO 63102

800.735.3853 Toll Free
800.231.1130 In Missouri
314.231.5074 Fax
www.dukemfg.com

Specification subject to change