

Foodservice Equipment • Material Handling, Healthcare & Cleanroom Equipment • Retail Display

LIFESTOR® Undershef for Dishtables

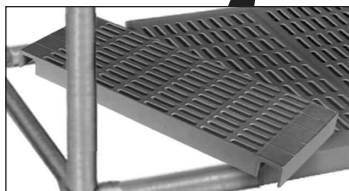
featuring
MICROGARD®



**THE ONLY
MACHINE-WASHABLE
UNDERSHEF IN THE
MARKET TODAY!**



*clean dishtable with
LIFESTOR® undershef –
shown with optional tray
drying rack*



*undershef made of
removable shelf sections*

Item #:	_____
Model #:	_____
Project #:	_____
SIS #:	_____

Optional Accessories	Model #	Qty.
Tray drying racks		

- Available for straight clean or soiled dishtables.
- Stainless steel tubular construction with louvered polymer shelf sections.
- Dishwasher-safe and non-corrosive.
- Polymer shelf sections are removable for ease of mopping underneath dishtable.
- Four-sided adjustable stainless steel bracing ensures optimum strength and eliminates table wobble.
- Polymer shelf sections feature MICROGARD® antimicrobial protection.

MICROGARD®:

- LIFESTOR® undershelves are protected with MICROGARD®, an antimicrobial agent which contains built in protection to retard the growth of a broad range of bacteria, mold and mildew on the surface of the shelves that cause stains, odors and degradation.
- MICROGARD® combines inorganic antimicrobial silver ions with a patented delivery system. The patented delivery system triggers the release of silver ions which react with bacteria in three ways: 1) suffocates the cell, 2) stops the cell reproduction system, 3) stops the cell from growing.
- MICROGARD® is a second line of defense. In keeping with good hygiene practices, clean this product as usual. The protection will not wash out, while organic bactericides may.*

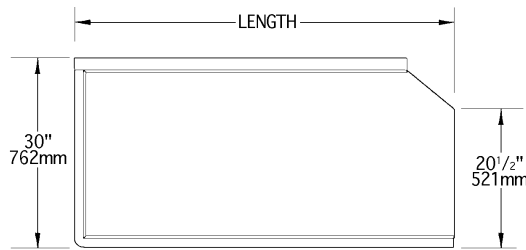
* MICROGARD® does not protect users or others against bacteria, viruses, germs or other disease organisms. Always clean this product thoroughly after each use.

Spec sheets available for viewing, printing or downloading from our online literature library at www.eaglegrp.com

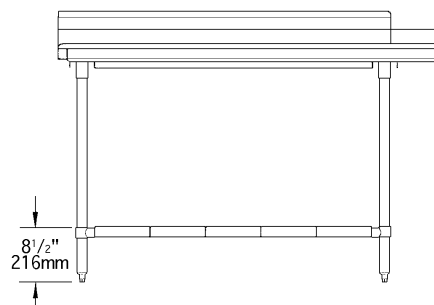
LIFESTOR® Undershef for Dishtables

Design & Construction Features

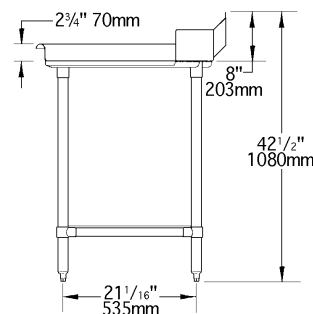
- Available for straight clean and soiled dishtables.
- Stainless steel tubular construction with louvered polymer shelf sections.
- Polymer shelf sections are removable for ease of mopping underneath dishtable.
- Dishwasher-safe and non-corrosive.
- Four-sided stainless steel bracing ensures optimum strength and eliminates table wobble.
- Polymer shelf sections feature MICROGARD® antimicrobial protection.



TOP VIEW



FRONT VIEW



SIDE VIEW

MICROGARD®:

- LIFESTOR® undershelves are protected with MICROGARD®, an antimicrobial agent which contains built-in protection to retard the growth of a broad range of bacteria, mold and mildew on the surface of the shelves that cause stains, odors and degradation.
- MICROGARD® combines inorganic antimicrobial silver ions with a patented delivery system. The patented delivery system triggers the release of silver ions which react with bacteria in three ways:
 - 1) suffocates the cell,
 - 2) stops the cell reproduction system,
 - 3) stops the cell from growing.
- MICROGARD® is a second line of defense. In keeping with good hygiene practices, clean this product as usual. The protection will not wash out, while organic bactericides may*.

* MICROGARD® does not protect users or others against bacteria, viruses, germs or other disease organisms. Always clean this product thoroughly after each use.

HOW TO ORDER LIFESTOR® UNDERSHELVES:

To order, add suffix "-LL1" to dishtable model number.
Example: CDTR-24-16/3-LL1

OPTIONAL TRAY DRYING RACKS

Constructed of 6 gauge wire with green epoxy coating. Fits 48" (1219mm)-long shelves or longer.

spacing in. mm	number of slots	18" RACKS model #	23" RACKS model #
1 1/2" 38	28	TR18481-VG	TR23481-VG
3" 76	14	TR18483-VG	TR23483-VG