



Profit from the Eagle Advantage®

Specification Sheet

Item No.:	_____
Project No.:	_____
S.I.S. No.:	_____

LIFESTOR® Polymer Undershef for Dishtables

MODELS:

To order, add suffix "-LL1" to dishtable model number. Example: CDTR-24-16/3-LL1

Design and Construction Features

- Available for straight clean and soiled dishtables.
- Stainless steel tubular construction with louvered polymer shelf sections.
- Polymer shelf sections are removable for ease of mopping underneath dishtable.
- Dishwasher-safe and non-corrosive.
- Four-sided stainless steel bracing ensures optimum strength.
- Polymer shelf sections feature MICROGARD® antimicrobial protection (see below for details).

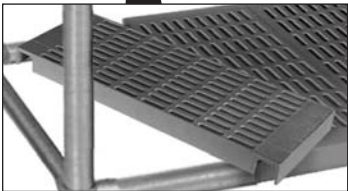
MICROGARD® Antimicrobial Protection:

- LIFESTOR® undershefves are protected with MICROGARD®, an antimicrobial agent which contains built-in protection to retard the growth of a broad range of bacteria, mold and mildew on the surface of the shelves that cause stains, odors and degradation.
- MICROGARD® combines inorganic antimicrobial silver ions with a patented delivery system. The patented delivery system triggers the release of silver ions which react with bacteria in three ways:
 - 1) suffocates the cell,
 - 2) stops the cell reproduction system,
 - 3) stops the cell from growing.
- MICROGARD® is a second line of defense. In keeping with good hygiene practices, clean this product as usual. The protection will not wash out, while organic bactericides may*.

* MICROGARD® does not protect users or others against bacteria, viruses, germs or other disease organisms. Always clean this product thoroughly after each use.



clean dishtable with LIFESTOR® undershef – shown with optional tray drying rack



undershef made of removable shelf sections

Options / Accessories

- Tray drying racks

EAGLE GROUP
 100 Industrial Boulevard, Clayton, DE 19938-8903 USA
 Phone: 302-653-3000 • Fax: 302-653-2065
 www.eaglegrp.com

Foodservice Division: Phone 800-441-8440
MHC/Retail Display Divisions: Phone 800-637-5100

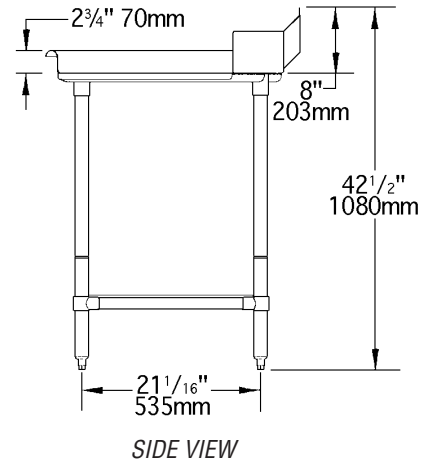
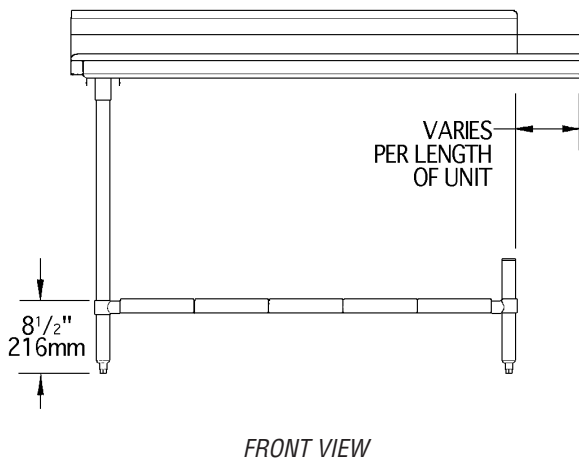
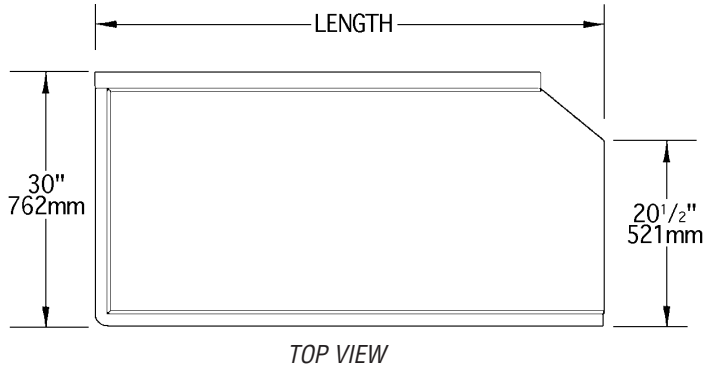
For custom configuration or fabrication needs, contact our **SpecFAB® Division**.
 Phone: 302-653-3000 • Fax: 302-653-3091 • e-mail: specfab@eaglegrp.com





Item No.: _____
 Project No.: _____
 S.I.S. No.: _____

LIFESTOR® Polymer Undershef for Dishtables



OPTIONAL TRAY DRYING RACKS

Constructed of 6 gauge wire with green epoxy coating.
 Fits 48" (1219mm)-long shelves or longer.

18" Racks	23" Racks	spacing		number
model #	model #	in.	mm	of slots
TR18481-VG	TR23481-VG	1 1/2"	38	28
TR18483-VG	TR23483-VG	3"	76	14

EAGLE GROUP
 100 Industrial Boulevard, Clayton, DE 19938-8903 USA
 Phone: 302-653-3000 • Fax: 302-653-2065
 www.eaglegrp.com

Foodservice Division: Phone 800-441-8440
 MHC/Retail Display Divisions: Phone 800-637-5100

Printed in U.S.A.
 ©2008 by Eagle Group
 Rev. 07/08

Spec sheets available for viewing, printing or downloading from our online literature library at www.eaglegrp.com

Although every attempt has been made to ensure the accuracy of the information provided, we cannot be held responsible for typographical or printing errors. Information and specifications are subject to change without notice. Please confirm at time of order.