



Profit from the Eagle Advantage®

Specification Sheet

Short Form Specifications

Eagle Director's Choice® Drop-In Dispenser, model _____. Unit to be unheated (heated), unshielded (shielded) with adjustable spring rate without the use of tools. Heated unit to come with 5' metal conduit to connect to 120-volt junction box, temperature range is 80°F to 100°F at a minimum, up to 110°F to 160°F maximum.



unshielded drop-in adjustable plate dispenser



shielded drop-in dish dispenser

Options / Accessories

- Dome covers (for heated units)
- Oval dish dispensers*

* Please contact factory. Sample platter must accompany order.

EAGLE GROUP
100 Industrial Boulevard, Clayton, DE 19938-8903 USA
Phone: 302-653-3000 • Fax: 302-653-2065
www.eaglegrp.com

Foodservice Division: Phone 800-441-8440
MHC/Retail Display Divisions: Phone 800-637-5100

For custom configuration or fabrication needs, contact our **SpecFAB® Division**.
Phone: 302-653-3000 • Fax: 302-653-2065 • e-mail: quotes@eaglegrp.com

Item No.:	_____
Project No.:	_____
S.I.S. No.:	_____

Director's Choice® Drop-In Dispensers

MODELS:

- | | | | |
|---------------------------------|---------------------------------|---------------------------------|---------------------------------|
| <input type="checkbox"/> 359106 | <input type="checkbox"/> 359117 | <input type="checkbox"/> 359128 | <input type="checkbox"/> 381142 |
| <input type="checkbox"/> 359107 | <input type="checkbox"/> 359118 | <input type="checkbox"/> 359129 | <input type="checkbox"/> 381143 |
| <input type="checkbox"/> 359108 | <input type="checkbox"/> 359119 | <input type="checkbox"/> 359130 | <input type="checkbox"/> 381144 |
| <input type="checkbox"/> 359109 | <input type="checkbox"/> 359120 | <input type="checkbox"/> 359131 | <input type="checkbox"/> 381145 |
| <input type="checkbox"/> 359110 | <input type="checkbox"/> 359121 | <input type="checkbox"/> 359132 | <input type="checkbox"/> 381146 |
| <input type="checkbox"/> 359111 | <input type="checkbox"/> 359122 | <input type="checkbox"/> 381136 | <input type="checkbox"/> 381147 |
| <input type="checkbox"/> 359112 | <input type="checkbox"/> 359123 | <input type="checkbox"/> 381137 | <input type="checkbox"/> 381250 |
| <input type="checkbox"/> 359113 | <input type="checkbox"/> 359124 | <input type="checkbox"/> 381138 | <input type="checkbox"/> 381251 |
| <input type="checkbox"/> 359114 | <input type="checkbox"/> 359125 | <input type="checkbox"/> 381139 | <input type="checkbox"/> 381252 |
| <input type="checkbox"/> 359115 | <input type="checkbox"/> 359126 | <input type="checkbox"/> 381140 | <input type="checkbox"/> 381253 |
| <input type="checkbox"/> 359116 | <input type="checkbox"/> 359127 | <input type="checkbox"/> 381141 | |

Design and Construction Features

- Field-adjustable weight and diameter.
- Stainless steel and aluminum construction.
- Heated and unheated units available.
- Spring rate adjustable without the use of tools.
- Stylized nonmarking guideposts reduce chance of chipping.
- Assured levelness via stabilizing mechanism.
- On heated units, temperature range is 80°–100°F minimum, 110°–160°F maximum.
- Heated units come with 5' (1524mm)-long metal conduit that connects to 120V junction box.
- Optional dome covers available for heated units.

Certifications / Approvals

AUTOQUOTES

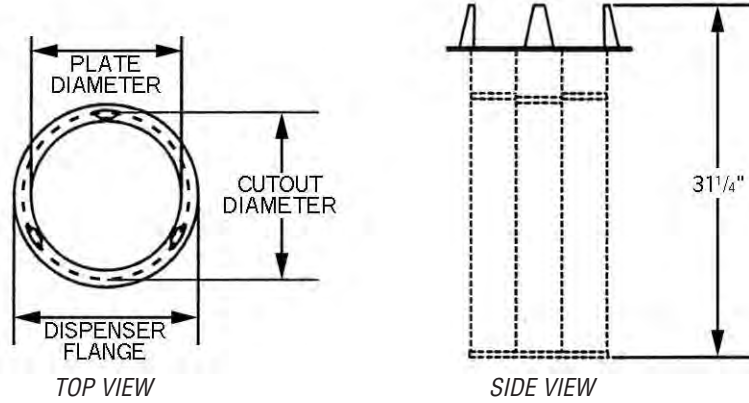
Spec sheets available for viewing, printing or downloading from our online literature library at www.eaglegrp.com



Profit from the Eagle Advantage®

Item No.: _____
 Project No.: _____
 S.I.S. No.: _____

Director's Choice® Drop-In Dispensers



Drop-In Adjustable Plate Dispensers

Adjusts to accommodate plates in various diameters.

UNSHIELDED/ UNHEATED			SHIELDED/ UNHEATED			SHIELDED/ HEATED			plate diameter		cutout diameter		flange diameter	
model #	weight lbs. kg		model #	weight lbs. kg		model #	weight lbs. kg	electrical data	in.	mm	in.	mm	in.	mm
381136	13 5.8		381141	20 9.0		381146	25 11.3	120V, 2.5A	2 3/4"-6"	70-152	9 5/8"	232	10"	254
381137	15 6.8		381142	22 10.0		381147	30 13.6	120V, 3.8A	4 1/4"-7 1/2"	108-191	10 5/8"	270	11 1/2"	292
381138	18 8.2		381143	27 12.2		381148	34 15.4	120V, 3.8A	6 1/2"-9 3/4"	165-248	12 7/8"	327	13 3/4"	349
381139	20 9.0		381144	31 14.1		381149	35 15.9	120V, 3.8A	8 1/4"-12"	222-305	15 1/2"	384	16"	406
381140	21 9.5		381145	32 14.5					10"-13 1/4"	254-337	16 1/4"	413	17 1/8"	433

Drop-In Dish Dispensers

UNSHIELDED/ UNHEATED			SHIELDED/ UNHEATED			SHIELDED/ HEATED			plate diameter		cutout diameter		flange diameter	
model #	weight lbs. kg		model #	weight lbs. kg		model #	weight lbs. kg	electrical data	in.	mm	in.	mm	in.	mm
359106	10 4.5		359115	15 6.8		359124	18 8.2	120V, 1.8A	up to 5"	up to 127	7 1/8"	189	8 1/4"	210
359107	11 5.0		359116	16 7.3		359125	20 9.0	120V, 2.0A	5 1/2"-5 3/4"	130-146	8 3/8"	208	9"	229
359108	12 5.4		359117	17 7.7		359126	26 11.8	120V, 2.3A	5 5/8"-6 1/2"	149-165	8 15/16"	227	9 3/4"	248
359109	13 5.8		359118	18 8.2		359127	26 11.8	120V, 2.5A	6 3/8"-7 1/4"	168-184	9 1/16"	246	10 1/2"	267
359110	15 6.8		359119	24 10.9		359128	27 12.2	120V, 2.7A	7 3/8"-8 1/8"	187-206	10 5/16"	268	11 3/8"	289
359111	17 7.7		359120	25 11.3		359129	28 12.7	120V, 3.2A	8 1/4"-9 1/4"	210-232	11 1/8"	294	12 3/8"	314
359112	20 9.0		359121	25 11.3		359130	30 13.6	120V, 3.5A	9 1/4"-10 1/8"	235-257	12 5/16"	319	13 3/8"	340
359113	21 9.5		359122	30 13.6		359131	34 15.4	120V, 4.2A	10 1/4"-11"	260-279	13 3/8"	345	15 1/2"	384
359114	22 10.0		359123	32 14.5		359132	36 16.3	120V, 4.6A	11 1/4"-12 1/4"	286-311	14 1/16"	373	16 1/4"	413

Optional Dome Covers for Heated Units

Stainless steel.



model #	for plate diameter...		weight	
	inches	mm	lbs.	kg
381250	2 3/4"-6"	70-152	1	0.5
381251	4 1/4"-7 1/2"	108-191	1	0.5
381252	6 1/2"-9 3/4"	165-248	1	0.5
381253	8 1/4"-12"	222-305	1	0.5

EAGLE GROUP

100 Industrial Boulevard, Clayton, DE 19938-8903 USA

Phone: 302-653-3000 • Fax: 302-653-2065

www.eaglegrp.com

Foodservice Division: Phone 800-441-8440

MHC/Retail Display Divisions: Phone 800-637-5100

Printed in U.S.A.

©2015 by Eagle Group

Rev. 04/15

Spec sheets available for viewing, printing or downloading from our online literature library at www.eaglegrp.com

Although every attempt has been made to ensure the accuracy of the information provided, we cannot be held responsible for typographical or printing errors. Information and specifications are subject to change without notice. Please confirm at time of order.