



Profit from the Eagle Advantage®

Specification Sheet

Short Form Specifications

Eagle LIFETIME Series Stepped Angle Rack, model _____ . Constructed of heavy duty 6063-T5 aluminum alloy. Fully welded frame, 1" square tubular crossbracing, base consists of 1½" x 1½" square aluminum tubing with caster plates welded to bottom, 6¾" wide "stepped-type" extruded aluminum angle slides welded to uprights. Lifetime guarantee against rust, corrosion, workmanship and material defects.



LIFETIME Series stepped-angle pan rack

Options / Accessories

- Caster locks
- Perimeter bumpers
- Corner bumpers
- Pan stop
- Solid base

EAGLE GROUP

100 Industrial Boulevard, Clayton, DE 19938-8903 USA

Phone: 302-653-3000 • Fax: 302-653-2065

www.eaglegrp.com

Foodservice Division: Phone 800-441-8440

MHC/Retail Display Divisions: Phone 800-637-5100

For custom configuration or fabrication needs, contact our SpecFAB® Division.

Phone: 302-653-3000 • Fax: 302-653-3091 • e-mail: specfab@eaglegrp.com

Item No.:	_____
Project No.:	_____
S.I.S. No.:	_____

LIFETIME Series Stepped-Angle Racks

MODELS:

- 4640
- 4642
- 4635
- 4637

Design and Construction Features

- LIFETIME GUARANTEE against:
 - rust and corrosion
 - material defects and workmanship
- Racks accommodate a variety of sheet pans and trays.
- Fully-welded frame features 1½" x 1¼" (38 x 45mm) heavy-duty "D"-shaped tube construction.
- All heavy duty type 6063-T5 alloy aluminum welded construction.
- Crossbracing consists of 1" (25mm) square tubing.
- Unit base consists of 1½" (38mm) square aluminum tubing with caster plates welded to the bottom.
- Heavy duty 6" x 2" (152 x 51mm) non-marking swivel plate casters.
- 6¾" (157mm)-wide "stepped-type" extruded angle slides are welded to uprights.
- Three welds per angle connection.



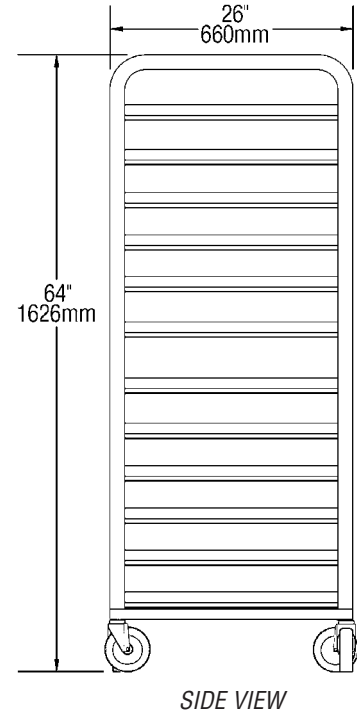
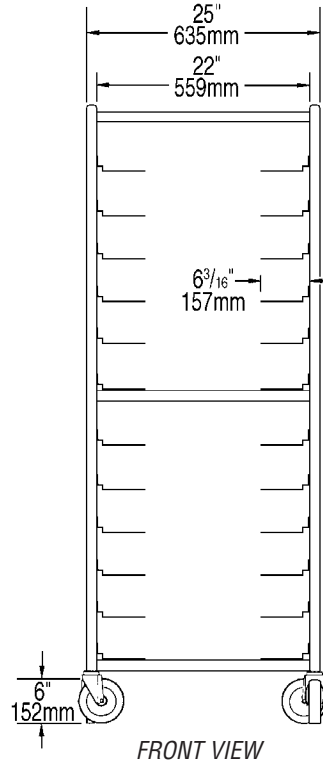
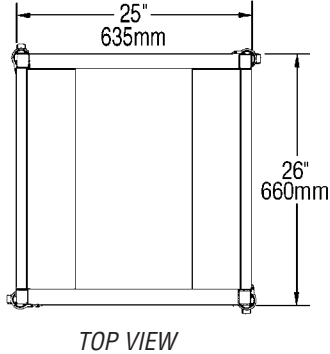
Spec sheets available for viewing, printing or downloading from our online literature library at www.eaglegrp.com

Eagle Foodservice Equipment, Eagle MHC, SpecFAB®, and Retail Display are divisions of Eagle Group. ©2008 by the Eagle Group



Item No.: _____
 Project No.: _____
 S.I.S. No.: _____

LIFETIME Series Stepped-Angle Racks



(note: stepped-angle roll-in rack shown)

Sizes of Applicable Pans & Trays:

- Roast/bake pans: 20" x 22", 18" x 26", 10" x 20"
- Steamtable pans: 12" x 18", 12" x 20"
- Bun pans: 18" x 13", 18" x 26"
- Service trays: 15" x 20", 14" x 18"
- Maxi pan: 20 3/4" x 25 1/2"
- Standard gastro-norm pans: 20 3/4" x 25 1/2"

Roll-In Racks

model #	overall dimensions						weight		slide spacing		number of slides
	width		depth		height		lbs.	kg	in.	mm	
4635	25"	635	26"	660	64"	1626	91	41.3	4 1/2"	114	12
4637	25"	635	26"	660	64"	1626	114	51.7	3"	76	18

Pan Racks

model #	overall dimensions						weight		slide spacing		number of slides
	width		depth		height		lbs.	kg	in.	mm	
4640	25"	635	26"	660	73"	1854	92	41.7	4 1/2"	114	12
4642	25"	635	26"	660	73"	1854	74	33.6	3"	76	18

EAGLE GROUP
 100 Industrial Boulevard, Clayton, DE 19938-8903 USA
 Phone: 302-653-3000 • Fax: 302-653-2065
 www.eaglegrp.com

Foodservice Division: Phone 800-441-8440
 MHC/Retail Display Divisions: Phone 800-637-5100

Printed in U.S.A.
 ©2008 by Eagle Group
 Rev. 12/08

Spec sheets available for viewing, printing or downloading from our online literature library at www.eaglegrp.com

Although every attempt has been made to ensure the accuracy of the information provided, we cannot be held responsible for typographical or printing errors. Information and specifications are subject to change without notice. Please confirm at time of order.