



Profit from the Eagle Advantage®

# Specification Sheet

## Short Form Specifications

Eagle Drop-In Style Round Food Warmer (7-qt. / 11-qt.), model \_\_\_\_\_ . Constructed of one-piece deep-drawn type 304, 18-8 stainless steel. Heating element is securely clamped to underside. Complete with (infinite control / thermostat) indicator light, control panel (and drain). UL-recognized.



7-qt. (6.6 liters)  
drop-in style food warmer

## Options / Accessories

- Mounting plates
- Inset, 7-quart
- Inset, 11-quart
- Lid, 7-quart
- Lid, 11-quart

**EAGLE GROUP**  
100 Industrial Boulevard, Clayton, DE 19938-8903 USA  
Phone: 302-653-3000 • Fax: 302-653-2065  
www.eaglegrp.com

**Foodservice Division: Phone 800-441-8440**  
**MHC/Retail Display Divisions: Phone 800-637-5100**

For custom configuration or fabrication needs, contact our **SpecFAB® Division**.  
Phone: 302-653-3000 • Fax: 302-653-3091 • e-mail: specfab@eaglegrp.com

Item No.:	_____
Project No.:	_____
S.I.S. No.:	_____

## Drop-In Style Round Food Warmers

### MODELS:

- |                                     |                                      |                                 |
|-------------------------------------|--------------------------------------|---------------------------------|
| <input type="checkbox"/> 7QDI-120   | <input type="checkbox"/> 11QDI-120   | <input type="checkbox"/> 7QP    |
| <input type="checkbox"/> 7QDI-120D  | <input type="checkbox"/> 11QDI-120D  | <input type="checkbox"/> 11QP   |
| <input type="checkbox"/> 7QDI-240   | <input type="checkbox"/> 11QDI-240   | <input type="checkbox"/> 304021 |
| <input type="checkbox"/> 7QDI-240D  | <input type="checkbox"/> 11QDI-240D  | <input type="checkbox"/> 304060 |
| <input type="checkbox"/> 7QDI-120T  | <input type="checkbox"/> 11QDI-120T  | <input type="checkbox"/> 304019 |
| <input type="checkbox"/> 7QDI-120TD | <input type="checkbox"/> 11QDI-120TD | <input type="checkbox"/> 304049 |

### Design and Construction Features

- Designed to accept either a 7-qt. (6.6 liter) or 11-qt. (10.4 liter) round inset.
- Constructed of one piece deep-drawn 18-8 stainless steel.
- Complete with thermostatic or infinite control, indicator light, and die-stamped recessed control panel. (Thermostatic controls are available with 36" or 72" [914 or 1829mm] leads on capillary.)
- Heating element securely clamped to underside allowing for service through bottom.
- Self rim mounting plates available.
- NSF-listed.
- UL-recognized.



**Spec sheets available for viewing, printing or downloading from our online literature library at [www.eaglegrp.com](http://www.eaglegrp.com)**



Profit from the Eagle Advantage®

Item No.: \_\_\_\_\_  
 Project No.: \_\_\_\_\_  
 S.I.S. No.: \_\_\_\_\_

# Drop-In Style Round Food Warmers

## Units with 7-qt. (6.6 liters) Capacity

INFINITE model #	THERMOSTATIC * model #	electrical data	diameter		height		weight	
			in.	mm	in.	mm	lbs.	kg
7QDI-120	7QDI-120T	120V, 4.2A, 550W	10 1/2"	267	8 1/2"	216	10	4.5
7QDI-120D**	7QDI-120TD**	120V, 4.2A, 550W	10 1/2"	267	8 1/2"	216	10	4.5
7QDI-240	n/a	208/240V, 2.4/2.8A, 500/660W	10 1/2"	267	8 1/2"	216	10	4.5
7QDI-240D**	n/a	208/240V, 2.4/2.8A, 500/660W	10 1/2"	267	8 1/2"	216	10	4.5

\* Thermostatic models available with 72" (1829mm) capillary. To order, add suffix "-72" to model number. Example: 7QDI-120TD-72

\*\* Comes with drain.

## Units with 11-qt. (10.4 liters) Capacity

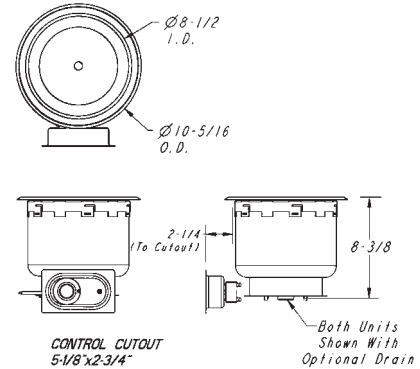
INFINITE model #	THERMOSTATIC * model #	electrical data	diameter		height		weight	
			in.	mm	in.	mm	lbs.	kg
11QDI-120	11QDI-120T	120V, 4.2A, 550W	12 1/2"	318	8 1/2"	216	14	6.4
11QDI-120D**	11QDI-120TD**	120V, 4.2A, 550W	12 1/2"	318	8 1/2"	216	14	6.4
11QDI-240	n/a	208/240V, 2.4/2.8A, 500/660W	12 1/2"	318	8 1/2"	216	14	6.4
11QDI-240D**	n/a	208/240V, 2.4/2.8A, 500/660W	12 1/2"	318	8 1/2"	216	14	6.4

\* Thermostatic models available with 72" (1829mm) capillary. To order, add suffix "-72" to model number. Example: 11QDI-120TD-72

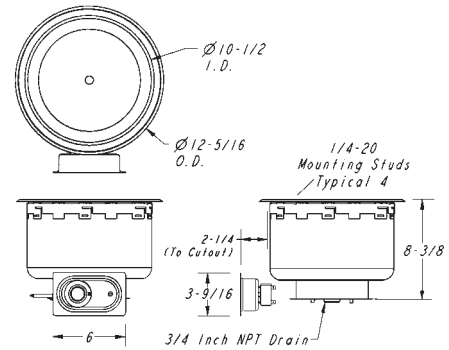
\*\* Comes with drain.

## Mounting Plates for Laminated Plastic or Wood Countertops

model #	description
7QP	for 7-qt. (6.6 liters) warmers
11QP	for 11-qt. (10.4 liters) warmers

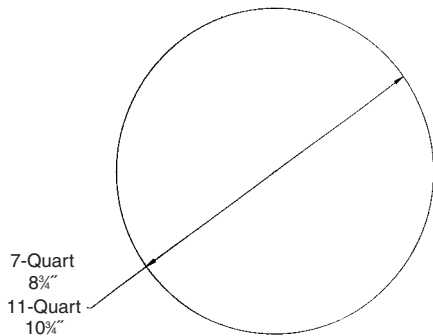


WARMERS WITH 7-QT. CAPACITY



WARMERS WITH 11-QT. CAPACITY

### Cutout Requirements:



round inset with lid

### Round Insets

model #	description
304021	7-quart inset for 8 1/2" (216mm) opening
304060	11-quart inset for 10 1/2" (267mm) opening

### Lids for Round Insets

model #	description
304019	For 7-quart inset
304049	For 11-quart inset

**EAGLE GROUP**  
 100 Industrial Boulevard, Clayton, DE 19938-8903 USA  
 Phone: 302-653-3000 • Fax: 302-653-2065  
 www.eaglegrp.com

Foodservice Division: Phone 800-441-8440  
 MHC/Retail Display Divisions: Phone 800-637-5100

Printed in U.S.A.  
 ©2009 by Eagle Group  
 Rev. 0609

Spec sheets available for viewing, printing or downloading from our online literature library at [www.eaglegrp.com](http://www.eaglegrp.com)

Although every attempt has been made to ensure the accuracy of the information provided, we cannot be held responsible for typographical or printing errors. Information and specifications are subject to change without notice. Please confirm at time of order.