



Profit from the Eagle Advantage®

Specification Sheet

Short Form Specifications

Eagle Anti-Splash Floor Trough with stainless steel grating, model _____. Unit constructed of 14/304 stainless steel all-welded construction. Patented anti-splash design (patent #D519,618 S) assures complete drainage while preventing splash back onto the floor. Drain accommodates up to a 4"-diameter pipe and comes standard with a stainless steel removable perforated basket. Type 304 stainless steel subway style grating shall be 5/8" x 1" vertically positioned bars spaced 1" apart for ease of drainage. Two 5/8" stainless steel rods, set 2 1/4" in from each edge, are welded to the bars to eliminate swaying.

Eagle Anti-Splash Floor Trough with fiberglass grating, model _____. Unit constructed of 14/304 stainless steel all-welded construction. Patented anti-splash design (patent #D519,618 S) assures complete drainage while preventing splash back onto the floor. Drain accommodates up to a 4"-diameter pipe and comes standard with a stainless steel removable perforated basket. Fiberglass grating to be 1" high yellow polyester material with a non-slip grit surface. Tapered "I" beam construction for ease of cleaning and drainage. Gray color grating available.



anti-splash floor trough

Options / Accessories

- Gray color fiberglass grating
- ADA-compliant wide "T" Bar fiberglass grating, gray color

EAGLE GROUP
100 Industrial Boulevard, Clayton, DE 19938-8903 USA
Phone: 302-653-3000 • Fax: 302-653-2065
www.eaglegrp.com

Foodservice Division: Phone 800-441-8440
MHC/Retail Display Divisions: Phone 800-637-5100

For custom configuration or fabrication needs, contact our **SpecFAB® Division**.
Phone: 302-653-3000 • Fax: 302-653-3091 • e-mail: specfab@eaglegrp.com

Spec sheets available for viewing, printing or downloading from our online literature library at www.eaglegrp.com

Eagle Foodservice Equipment, Eagle MHC, SpecFAB®, and Retail Display are divisions of Eagle Group. ©2012 by the Eagle Group

Item No.:	_____
Project No.:	_____
S.I.S. No.:	_____

Anti-splash Floor Troughs

MODELS:

- | | | |
|---------------------------------------|---------------------------------------|---------------------------------------|
| <input type="checkbox"/> ASFT-1218-* | <input type="checkbox"/> ASFT-1548-* | <input type="checkbox"/> ASFT-1884-* |
| <input type="checkbox"/> ASFT-1224-* | <input type="checkbox"/> ASFT-1560-* | <input type="checkbox"/> ASFT-1896-* |
| <input type="checkbox"/> ASFT-1230-* | <input type="checkbox"/> ASFT-1572-* | <input type="checkbox"/> ASFT-18120-* |
| <input type="checkbox"/> ASFT-1236-* | <input type="checkbox"/> ASFT-1584-* | <input type="checkbox"/> ASFT-2424-* |
| <input type="checkbox"/> ASFT-1248-* | <input type="checkbox"/> ASFT-1596-* | <input type="checkbox"/> ASFT-2430-* |
| <input type="checkbox"/> ASFT-1260-* | <input type="checkbox"/> ASFT-15120-* | <input type="checkbox"/> ASFT-2436-* |
| <input type="checkbox"/> ASFT-1272-* | <input type="checkbox"/> ASFT-1824-* | <input type="checkbox"/> ASFT-2448-* |
| <input type="checkbox"/> ASFT-1284-* | <input type="checkbox"/> ASFT-1830-* | <input type="checkbox"/> ASFT-2460-* |
| <input type="checkbox"/> ASFT-1296-* | <input type="checkbox"/> ASFT-1836-* | <input type="checkbox"/> ASFT-2472-* |
| <input type="checkbox"/> ASFT-12120-* | <input type="checkbox"/> ASFT-1848-* | <input type="checkbox"/> ASFT-2484-* |
| <input type="checkbox"/> ASFT-1524-* | <input type="checkbox"/> ASFT-1860-* | <input type="checkbox"/> ASFT-2496-* |
| <input type="checkbox"/> ASFT-1530-* | <input type="checkbox"/> ASFT-1872-* | <input type="checkbox"/> ASFT-24120-* |
| <input type="checkbox"/> ASFT-1536-* | | |

* See chart on back for complete model numbers.

Design and Construction Features

- Patented "anti-splash" design (patent #D519,618 S) assures complete drainage, while preventing splash back onto floor.
- 14 gauge type 304 stainless steel all-welded construction.
- Built-in pitch towards drain insures complete drainage.
- Stainless steel drain accommodates up to a 4" (102mm) diameter pipe, and features a removable perforated stainless steel basket.
- Comes with subway-style stainless steel grating or yellow fiberglass grating.
- Floor troughs with gray fiberglass grating available (in place of yellow). To order, add suffix "G" to model number of trough with yellow fiberglass grating. Example: ASFT-1224-FGG
- Floor troughs with ADA-compliant T-Bar fiberglass grating* available. Gray color. To order, add suffix "-ADA" to end of model number. Example: ASFT-1224-FG-ADA
- Custom sizes available. Consult factory for details.

* Available for Floor Troughs with Fiberglass Grating only.

AUTOQUOTES



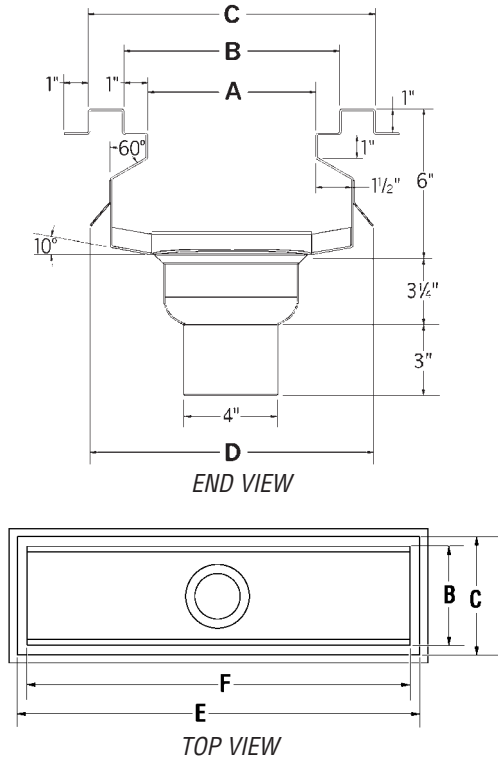
EG25.01 Rev. 04/12



Profit from the Eagle Advantage®

Item No.: _____
 Project No.: _____
 S.I.S. No.: _____

Anti-splash Floor Troughs



See chart below for dimensions A through F

Grating Used in Various Floor Troughs

Floor Trough (dimension E)	Floor Trough (dimension F)	Grating Used - Quantity and Length
18" (457mm)	15" (381mm)	one 15" (381mm)
24" (610mm)	21" (533mm)	one 12" (305mm) and one 9" (229mm)
30" (762mm)	27" (686mm)	three 9" (229mm)
36" (914mm)	33" (838mm)	two 12" (305mm) and one 9" (229mm)
48" (1219mm)	45" (1143mm)	three 12" (305mm) and one 9" (229mm)
60" (1524mm)	57" (1448mm)	four 12" (305mm) and one 9" (229mm)
72" (1829mm)	69" (1753mm)	five 12" (305mm) and one 9" (229mm)
84" (2134mm)	81" (2057mm)	six 12" (305mm) and one 9" (229mm)
96" (2438mm)	93" (2362mm)	seven 12" (305mm) and one 9" (229mm)
120" (3048mm)	117" (2972mm)	nine 12" (305mm) and one 9" (229mm)

12" (305mm)-WIDE TROUGHs		15" (381mm)-WIDE TROUGHs		18" (457mm)-WIDE TROUGHs		24" (610mm)-WIDE TROUGHs		dimension E	dimension F
dimension A: 7" (178mm)		dimension A: 10" (254mm)		dimension A: 13" (330mm)		dimension A: 19" (483mm)		in.	in.
dimension B: 9" (229mm)		dimension B: 12" (305mm)		dimension B: 15" (381mm)		dimension B: 21" (533mm)		mm	mm
dimension C: 12" (305mm)		dimension C: 15" (381mm)		dimension C: 18" (457mm)		dimension C: 24" (610mm)			
dimension D: 11.25" (286mm)		dimension D: 14.25" (362mm)		dimension D: 17.25" (438mm)		dimension D: 23.25" (591mm)			
WITH YELLOW * FIBERGLASS GRATING model #	WITH STAINLESS GRATING model #	WITH YELLOW * FIBERGLASS GRATING model #	WITH STAINLESS GRATING model #	WITH YELLOW * FIBERGLASS GRATING model #	WITH STAINLESS GRATING model #	WITH YELLOW * FIBERGLASS GRATING model #	WITH STAINLESS GRATING model #		
ASFT-1218-FG	ASFT-1218-SG	n/a	n/a	n/a	n/a	n/a	n/a	18"	15"
ASFT-1224-FG	ASFT-1224-SG	ASFT-1524-FG	ASFT-1524-SG	ASFT-1824-FG	ASFT-1824-SG	ASFT-2424-FG	ASFT-2424-SG	457	381
ASFT-1230-FG	ASFT-1230-SG	ASFT-1530-FG	ASFT-1530-SG	ASFT-1830-FG	ASFT-1830-SG	ASFT-2430-FG	ASFT-2430-SG	24"	21"
ASFT-1236-FG	ASFT-1236-SG	ASFT-1536-FG	ASFT-1536-SG	ASFT-1836-FG	ASFT-1836-SG	ASFT-2436-FG	ASFT-2436-SG	610	533
ASFT-1248-FG	ASFT-1248-SG	ASFT-1548-FG	ASFT-1548-SG	ASFT-1848-FG	ASFT-1848-SG	ASFT-2448-FG	ASFT-2448-SG	30"	27"
ASFT-1260-FG	ASFT-1260-SG	ASFT-1560-FG	ASFT-1560-SG	ASFT-1860-FG	ASFT-1860-SG	ASFT-2460-FG	ASFT-2460-SG	762	686
ASFT-1272-FG	ASFT-1272-SG	ASFT-1572-FG	ASFT-1572-SG	ASFT-1872-FG	ASFT-1872-SG	ASFT-2472-FG	ASFT-2472-SG	36"	33"
ASFT-1284-FG	ASFT-1284-SG	ASFT-1584-FG	ASFT-1584-SG	ASFT-1884-FG	ASFT-1884-SG	ASFT-2484-FG	ASFT-2484-SG	914	838
ASFT-1296-FG	ASFT-1296-SG	ASFT-1596-FG	ASFT-1596-SG	ASFT-1896-FG	ASFT-1896-SG	ASFT-2496-FG	ASFT-2496-SG	48"	45"
ASFT-12120-FG	ASFT-12120-SG	ASFT-15120-FG	ASFT-15120-SG	ASFT-18120-FG	ASFT-18120-SG	ASFT-24120-FG	ASFT-24120-SG	1219	1143
								60"	57"
								1524	1448
								1829	1753
								72"	69"
								2134	2057
								84"	81"
								2438	2362
								96"	93"
								3048	2972

* To order Floor Trough with Gray Fiberglass Grating, add suffix "G". Example: ASFT1224-FGG
 To order Floor Trough with Gray ADA-compliant wide "T" Bar Fiberglass Grating, add suffix "-ADA". Example: ASFT1224-FG-ADA. Available for Floor Troughs with Fiberglass Grating only—NOT for troughs with stainless steel grating.

EAGLE GROUP
 100 Industrial Boulevard, Clayton, DE 19938-8903 USA
 Phone: 302-653-3000 • Fax: 302-653-2065
 www.eaglegrp.com

Foodservice Division: Phone 800-441-8440
 MHC/Retail Display Divisions: Phone 800-637-5100

Spec sheets available for viewing, printing or downloading from our online literature library at www.eaglegrp.com

Although every attempt has been made to ensure the accuracy of the information provided, we cannot be held responsible for typographical or printing errors. Information and specifications are subject to change without notice. Please confirm at time of order.

Printed in U.S.A.
 ©2012 by Eagle Group
 Rev. 04/12