



Profit from the Eagle Advantage®

Specification Sheet

Short Form Specifications

Eagle 2200 Series Ice Chests, model _____. Top, front, backplash, fabricated ice bin and sliding cover is heavy gauge type 304 stainless steel. Ice bin is fully insulated, with 1½" drain. 1½" O.D. galvanized tubular legs with adjustable bullet feet.



B21C-22 ice chest

Options / Accessories

- Stainless steel leg kits (see below)
- Speed rails

Optional Stainless Steel Leg Kits for Ice Chests

add suffix #	description
-SL	stainless steel leg assemblies
-SLF	stainless steel leg assemblies & stainless steel feet
-SLG	stainless steel leg assemblies & stainless steel gussets
-SLGF	stainless steel leg assemblies, stainless steel feet & gussets

Item No.: _____
 Project No.: _____
 S.I.S. No.: _____

2200 Series Ice Chests

MODELS:

- | | | |
|---------------------------------------|---------------------------------------|---------------------------------------|
| <input type="checkbox"/> B12IC-22 | <input type="checkbox"/> B21C-12D-22 | <input type="checkbox"/> B36IC-12D-22 |
| <input type="checkbox"/> B12IC-12D-22 | <input type="checkbox"/> B21C-16D-22 | <input type="checkbox"/> B36IC-16D-22 |
| <input type="checkbox"/> B12IC-16D-22 | <input type="checkbox"/> B28IC-22 | <input type="checkbox"/> B42IC-22 |
| <input type="checkbox"/> B18IC-22 | <input type="checkbox"/> B30IC-22 | <input type="checkbox"/> B42IC-12D-22 |
| <input type="checkbox"/> B18IC-12D-22 | <input type="checkbox"/> B30IC-12D-22 | <input type="checkbox"/> B42IC-16D-22 |
| <input type="checkbox"/> B18IC-16D-22 | <input type="checkbox"/> B30IC-16D-22 | <input type="checkbox"/> B48IC-22 |
| <input type="checkbox"/> B21C-22 | <input type="checkbox"/> B36IC-22 | <input type="checkbox"/> B48IC-12D-22 |
| | | <input type="checkbox"/> B48IC-16D-22 |

Design and Construction Features

- New bullnose front edge.
- Stainless steel type 304 ice bin, backplash, front, and sliding ice cover.
- Stainless steel ends, galvanized back panel.
- 1½" (38mm) drain centered in ice bin front and back.
- Ice bins are fabricated.
- High-impact, corrosion-resistant, fully-adjustable bullet feet.
- Standard models include 8", 12", or 16" (203, 305, or 406mm)-deep ice bins.
- Stainless steel all-welded construction with fiberglass insulation.

EAGLE GROUP
 100 Industrial Boulevard, Clayton, DE 19938-8903 USA
 Phone: 302-653-3000 • Fax: 302-653-2065
 www.eaglegrp.com

Foodservice Division: Phone 800-441-8440
MHC/Retail Display Divisions: Phone 800-637-5100

For custom configuration or fabrication needs, contact our **SpecFAB® Division**.
 Phone: 302-653-3000 • Fax: 302-653-3091 • e-mail: specfab@eaglegrp.com

Certifications / Approvals



AUTOQUOTES



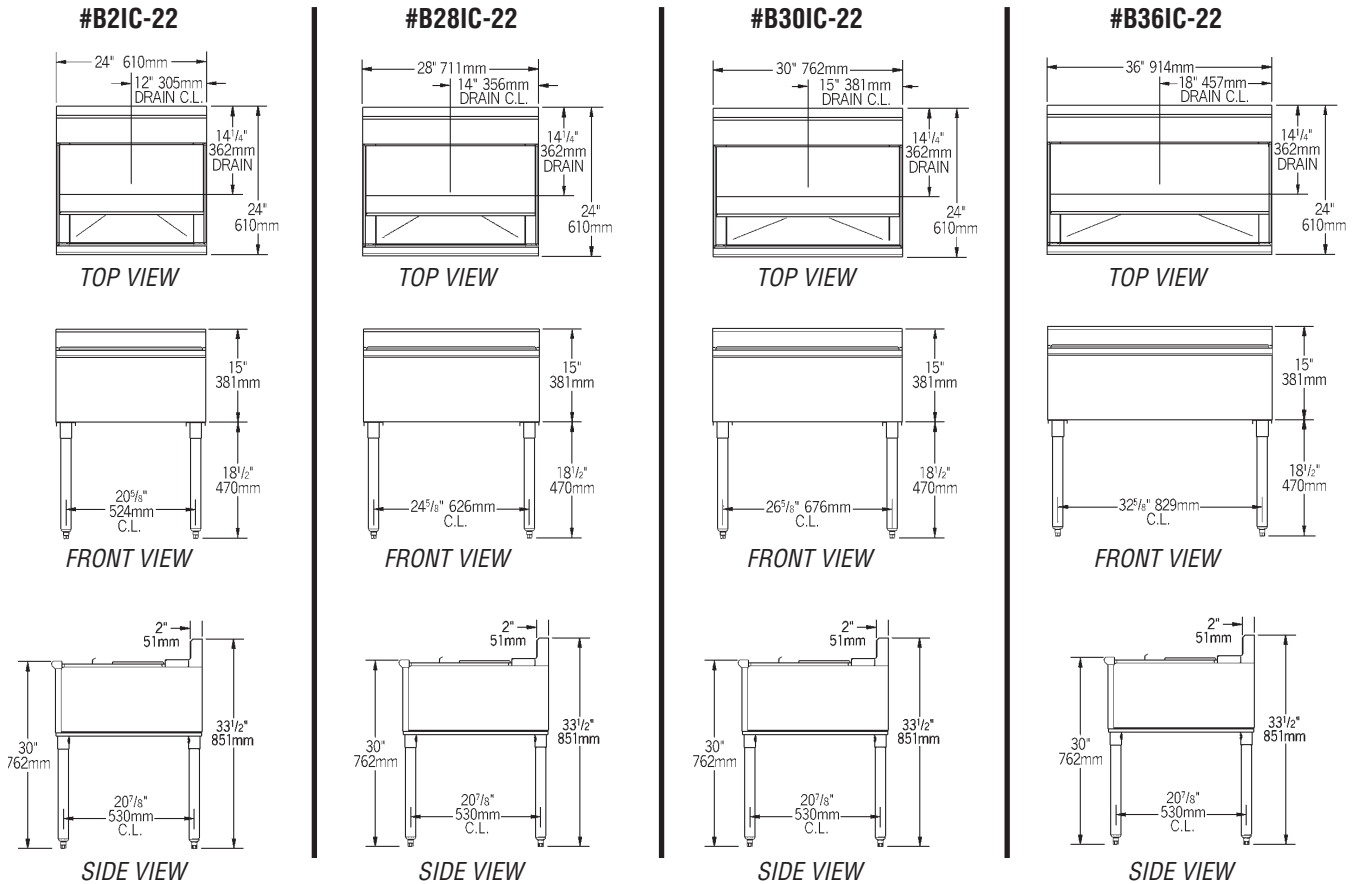
EG40.11A Rev. 08/11

Spec sheets available for viewing, printing or downloading from our online literature library at www.eaglegrp.com



Item No.: _____
 Project No.: _____
 S.I.S. No.: _____

2200 Series Ice Chests



model #	width x length in. mm		shipping weight lbs. kg	ice bin depth in. mm	ice capacity lbs. kg
B121C-22	24" x 12"	610 x 305	44 20.0	8" 203	25 11.3
B121C-12D-22	24" x 12"	610 x 305	47 21.3	12" 305	37 16.8
B121C-16D-22	24" x 12"	610 x 305	51 23.1	16" 406	49 22.2
B181C-22	24" x 18"	610 x 457	53 24.0	8" 203	44 20.0
B181C-12D-22	24" x 18"	610 x 457	56 25.4	12" 305	65 29.5
B181C-16D-22	24" x 18"	610 x 457	59 26.8	16" 406	87 39.5
B21C-22	24" x 24"	610 x 610	59 26.8	8" 203	63 28.6
B21C-12D-22	24" x 24"	610 x 610	62 28.1	12" 305	94 42.6
B21C-16D-22	24" x 24"	610 x 610	65 29.5	16" 406	125 56.7
B281C-22	24" x 28"	610 x 711	69 31.3	8" 203	150 68.0
B301C-22	24" x 30"	610 x 762	73 33.1	8" 203	82 37.2
B301C-12D-22	24" x 30"	610 x 762	76 34.5	12" 305	123 55.8
B301C-16D-22	24" x 30"	610 x 762	79 35.8	16" 406	163 73.9

model #	width x length in. mm		shipping weight lbs. kg	ice bin depth in. mm	ice capacity lbs. kg
B361C-22	24" x 36"	610 x 914	82 37.2	8" 203	101 45.8
B361C-12D-22	24" x 36"	610 x 914	85 38.6	12" 305	151 68.5
B361C-16D-22	24" x 36"	610 x 914	88 39.9	16" 406	201 91.2
B421C-22	24" x 42"	610 x 1067	92 41.7	8" 203	120 54.4
B421C-12D-22	24" x 42"	610 x 1067	95 43.1	12" 305	180 81.6
B421C-16D-22	24" x 42"	610 x 1067	98 44.5	16" 406	239 108.4
B481C-22	24" x 48"	610 x 1219	107 48.5	8" 203	139 63.1
B481C-12D-22	24" x 48"	610 x 1219	111 50.3	12" 305	208 94.3
B481C-16D-22	24" x 48"	610 x 1219	114 51.7	16" 406	278 126.1

EAGLE GROUP
 100 Industrial Boulevard, Clayton, DE 19938-8903 USA
 Phone: 302-653-3000 • Fax: 302-653-2065
 www.eaglegrp.com

Foodservice Division: Phone 800-441-8440
 MHC/Retail Display Divisions: Phone 800-637-5100

Printed in U.S.A.
 ©2011 by Eagle Group
 Rev. 08/11

Spec sheets available for viewing, printing or downloading from our online literature library at www.eaglegrp.com

Although every attempt has been made to ensure the accuracy of the information provided, we cannot be held responsible for typographical or printing errors. Information and specifications are subject to change without notice. Please confirm at time of order.