



Profit from the Eagle Advantage®

# Specification Sheet

## Short Form Specifications

Eagle 1800 Series Ice Chests with Sealed-In Cold Plate, model \_\_\_\_\_ . Top, front, backplash and ice bin to be heavy gauge type 304 stainless steel. Fabricated ice bin is fully insulated with 1½" drain, and sealed-in 7-circuit cold plate. 1½" O.D. galvanized tubular legs with adjustable bullet feet.



#B30IC-16D-18 ice chest with 16" (406mm)-deep ice bin

## Options / Accessories

- Stainless steel leg kits (see below)
- Speed rails

Item No.: \_\_\_\_\_  
 Project No.: \_\_\_\_\_  
 S.I.S. No.: \_\_\_\_\_

## 1800 Series Ice Chests with Sealed-In Cold Plate

### MODELS:

- |   |   |   |
|---|---|---|
| <input type="checkbox"/> B2IC-18-7      | <input type="checkbox"/> B30IC-16D-18-7 | <input type="checkbox"/> B42IC-12D-18-7 |
| <input type="checkbox"/> B2IC-12D-18-7  | <input type="checkbox"/> B36IC-18-7     | <input type="checkbox"/> B42IC-16D-18-7 |
| <input type="checkbox"/> B2IC-16D-18-7  | <input type="checkbox"/> B36IC-12D-18-7 | <input type="checkbox"/> B48IC-18-7     |
| <input type="checkbox"/> B30IC-18-7     | <input type="checkbox"/> B36IC-16D-18-7 | <input type="checkbox"/> B48IC-12D-18-7 |
| <input type="checkbox"/> B30IC-12D-18-7 | <input type="checkbox"/> B42IC-18-7     | <input type="checkbox"/> B48IC-16D-18-7 |

### Design and Construction Features

- Bullnose front edge.
- Stainless steel type 304 ice bin, backplash, front, and sliding ice cover.
- Galvanized ends and back panel.
- Models come with 8", 12" or 16" (203, 305 or 406mm)-deep ice bin.
- 1½" (38mm) drain centered.
- Ice bins are fabricated.
- High-impact, corrosion-resistant, fully-adjustable bullet feet.
- Post-mix cold plates: aluminum casting with seven stainless steel beverage grade tubing circuits. Cold plates are post-mix, mounted flush with interior bottom of ice bin for easy cleaning and maximum efficiency. Drain is ½" (13mm) NPT and centered in ice bin front and back. ¼" (6mm) tube connections provided.
- Packaging: Ice chests with cold plates shipped wood-crated.

Optional Stainless Steel Leg Kits for Ice Chests	
add suffix #	description
-SL	stainless steel leg assemblies
-SLF	stainless steel leg assemblies & stainless steel feet
-SLG	stainless steel leg assemblies & stainless steel gussets
-SLGF	stainless steel leg assemblies, stainless steel feet & gussets

**EAGLE GROUP**  
 100 Industrial Boulevard, Clayton, DE 19938-8903 USA  
 Phone: 302-653-3000 • Fax: 302-653-2065  
 www.eaglegrp.com

**Foodservice Division: Phone 800-441-8440**  
**MHC/Retail Display Divisions: Phone 800-637-5100**

For custom configuration or fabrication needs, contact our **SpecFAB® Division**.  
 Phone: 302-653-3000 • Fax: 302-653-3091 • e-mail: specfab@eaglegrp.com



## AUTOQUOTES



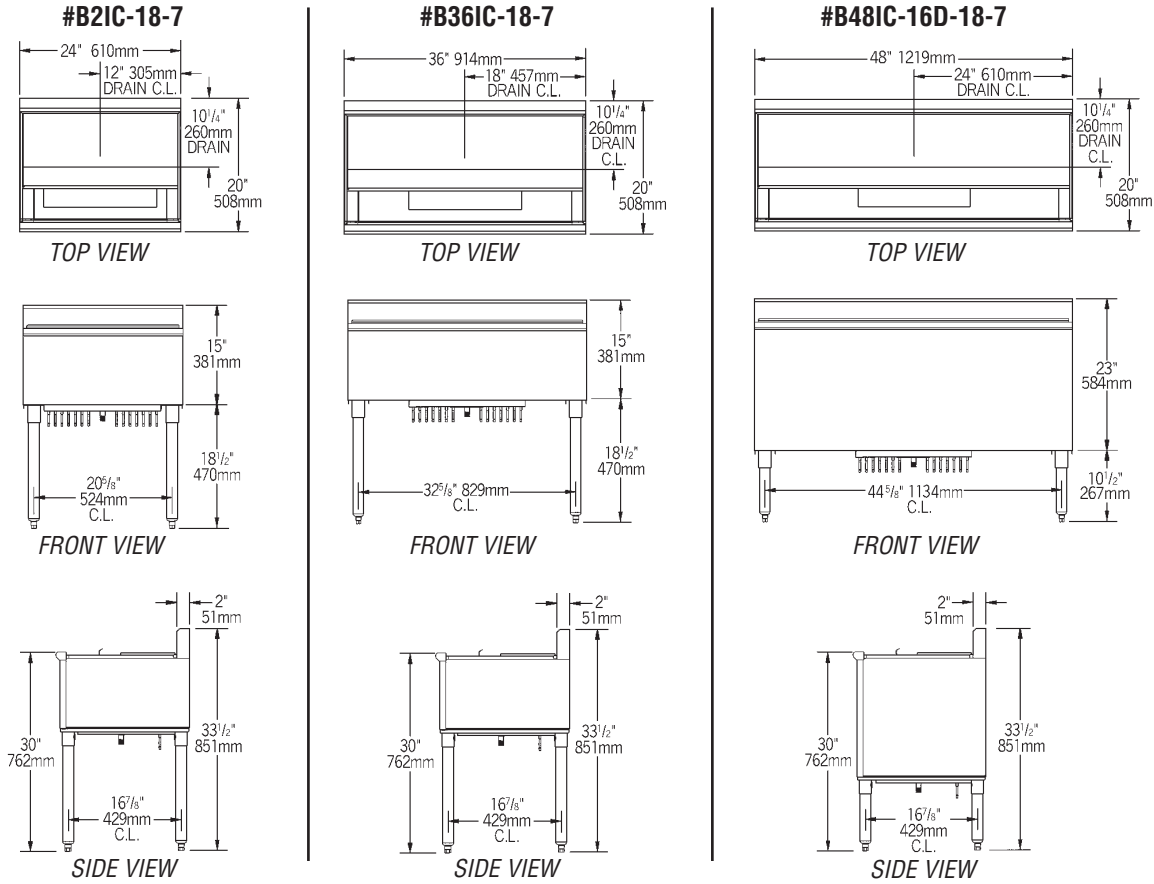
EG40.04B Rev. 07/12

Spec sheets available for viewing, printing or downloading from our online literature library at [www.eaglegrp.com](http://www.eaglegrp.com)



Item No.: \_\_\_\_\_  
 Project No.: \_\_\_\_\_  
 S.I.S. No.: \_\_\_\_\_

# 1800 Series Ice Chests with Sealed-In Cold Plate



model #	width x length		weight		ice bin depth		ice capacity	
	in.	mm	lbs.	kg	in.	mm	lbs.	kg
<b>B21C-18-7</b>	20"	x 24"	132	59.9	8"	203	63	28.6
<b>B21C-12D-18-7</b>	20"	x 24"	167	75.8	12"	305	94	42.6
<b>B21C-16D-18-7</b>	20"	x 24"	175	79.4	16"	406	125	56.7
<b>B30IC-18-7</b>	20"	x 30"	136	61.7	8"	203	82	37.2
<b>B30IC-12D-18-7</b>	20"	x 30"	168	76.2	12"	305	123	55.8
<b>B30IC-16D-18-7</b>	20"	x 30"	193	87.5	16"	406	163	73.9
<b>B36IC-18-7</b>	20"	x 36"	152	68.9	8"	203	101	45.8
<b>B36IC-12D-18-7</b>	20"	x 36"	187	84.8	12"	305	151	68.5
<b>B36IC-16D-18-7</b>	20"	x 36"	198	89.8	16"	406	201	91.2
<b>B42IC-18-7</b>	20"	x 42"	169	76.7	8"	203	120	54.4
<b>B42IC-12D-18-7</b>	20"	x 42"	189	85.7	12"	305	180	81.6
<b>B42IC-16D-18-7</b>	20"	x 42"	228	103.4	16"	406	239	108.4
<b>B48IC-18-7</b>	20"	x 48"	211	95.7	8"	203	139	63.1
<b>B48IC-12D-18-7</b>	20"	x 48"	233	105.7	12"	305	208	94.3
<b>B48IC-16D-18-7</b>	20"	x 48"	245	111.1	16"	406	278	126.1

**EAGLE GROUP**  
 100 Industrial Boulevard, Clayton, DE 19938-8903 USA  
 Phone: 302-653-3000 • Fax: 302-653-2065  
 www.eaglegrp.com

Foodservice Division: Phone 800-441-8440  
 MHC/Retail Display Divisions: Phone 800-637-5100

Printed in U.S.A.  
 ©2012 by Eagle Group  
 Rev. 07/12

Spec sheets available for viewing, printing or downloading from our online literature library at [www.eaglegrp.com](http://www.eaglegrp.com)

Although every attempt has been made to ensure the accuracy of the information provided, we cannot be held responsible for typographical or printing errors. Information and specifications are subject to change without notice. Please confirm at time of order.