

Specification Sheet

Short Form Specifications

BlendPort™ KL Series Worktables with Backsplash, model _____, 18 gauge type 430 stainless steel top features front rolled rim, 4½" rear backsplash, and square bend on ends. 1½"-diameter galvanized legs. 18 gauge galvanized undershelf. Adjustable plastic bullet feet.



Item No.: _____
Project No.: _____
S.I.S. No.: _____

BlendPort™ KL Series Worktables with Backsplash

- 18 gauge type 430 stainless steel top features hemmed rolled rim edge on front, with square bend on sides, and is sound-deadened.
- 4½"-high rear backsplash.
- Top reinforced with welded-on hat channels, which allow for mounting optional drawers.
- 1½"-diameter galvanized steel legs.
- Galvanized steel gussets.
- Adjustable plastic bullet feet.
- 18 gauge galvanized steel undershelf.

width x length	weight	model #
24" x 36"	53 lbs.	BPT-2436KL
24" x 48"	63 lbs.	BPT-2448KL
24" x 60"	73 lbs.	BPT-2460KL
24" x 72"	85 lbs.	BPT-2472KL
24" x 96"	114 lbs.	BPT-2496KL
30" x 24"	54 lbs.	BPT-3024KL
30" x 30"	55 lbs.	BPT-3030KL
30" x 48"	70 lbs.	BPT-3048KL
30" x 60"	81 lbs.	BPT-3060KL
30" x 72"	94 lbs.	BPT-3072KL
30" x 96"	123 lbs.	BPT-3096KL

Optional Drawers for KL Series Worktables

16" x 20".
Fully enclosed.
Features roller slides.



description	model #
For 24"-wide tables	BPD-1620-24T
For 30"-wide tables	BPD-1620-30T

BlendPort™

An Eagle Group Company
100 Industrial Boulevard, Clayton, DE 19938-8903 USA
Phone: 800-441-8440 • Fax: 302-653-2065

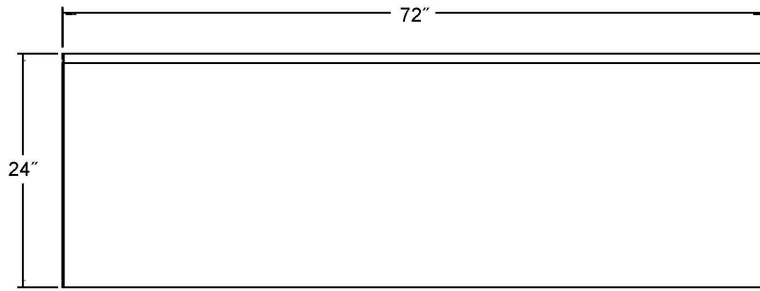
Certifications / Approvals



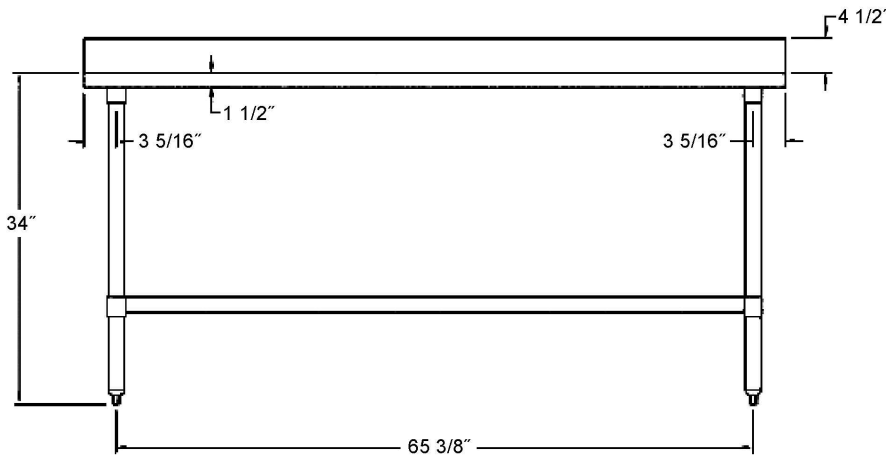
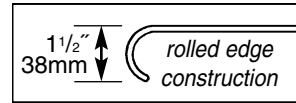
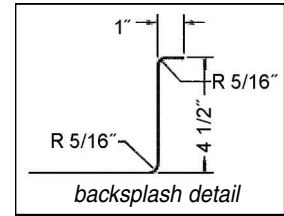


Item No.: _____
 Project No.: _____
 S.I.S. No.: _____

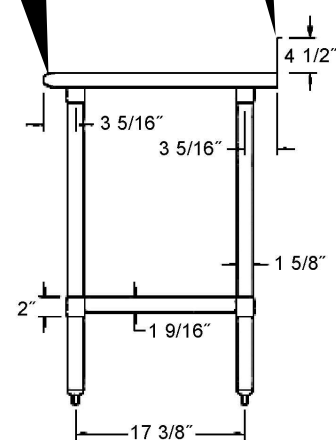
BlendPort™ KL Series Worktables with Backsplash



TOP VIEW



FRONT VIEW



SIDE VIEW

(Note: #BPT-2472KL shown)

BlendPort™

An Eagle Group Company
 100 Industrial Boulevard, Clayton, DE 19938-8903 USA
 Phone: 800-441-8440 • Fax: 302-653-2065

Printed in U.S.A.
 ©2011 by Eagle Group
 Rev. 11/11

Although every attempt has been made to ensure the accuracy of the information provided, we cannot be held responsible for typographical or printing errors. Information and specifications are subject to change without notice. Please confirm at time of order.