



Profit from the Eagle Advantage®

# Specification Sheet

## Short Form Specifications

Eagle Table Mounted Boat Rack for Poly Top Table, model \_\_\_\_\_. Consisting of one or two chrome-plated wire shelves with patented Quad-Truss® design, one or two 3-sided trusses, two or three 54" chrome-plated posts, and leg/gusset clamp brackets to attach unit to table legs.

Eagle Wall Mounted Boat Rack for Poly Top Table, model \_\_\_\_\_. Consisting of two or four chrome-plated wire shelves with patented Quad-Truss® design, two or three pairs of shelf brackets, and two or three 33" chrome-plated posts.

Eagle Ceiling Mounted Boat Rack for Poly Top Table, model \_\_\_\_\_. Consisting of two or four chrome-plated wire shelves with patented Quad-Truss® design, and four or six 45" chrome-plated posts with 3/8-16 nut welded on top.

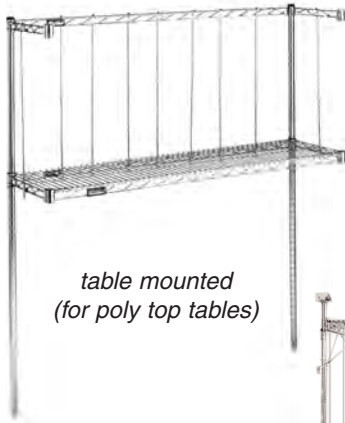
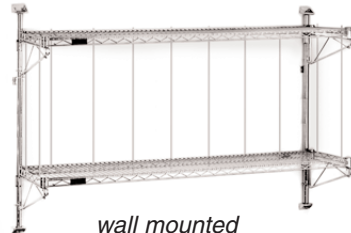


table mounted  
(for poly top tables)



wall mounted



ceiling mounted

### EAGLE GROUP

100 Industrial Boulevard, Clayton, DE 19938-8903 USA

Phone: 302-653-3000 • Fax: 302-653-2065

www.eaglegrp.com

Foodservice Division: Phone 800-441-8440

MHC/Retail Display Divisions: Phone 800-637-5100

For custom configuration or fabrication needs, contact our SpecFAB® Division.

Phone: 302-653-3000 • Fax: 302-653-3091 • e-mail: specfab@eaglegrp.com

Item No.:	_____
Project No.:	_____
S.I.S. No.:	_____

## Boat Racks

### MODELS:

- |                               |                               |                               |
|-------------------------------|-------------------------------|-------------------------------|
| <input type="checkbox"/> BRT4 | <input type="checkbox"/> BRW4 | <input type="checkbox"/> BRC4 |
| <input type="checkbox"/> BRT5 | <input type="checkbox"/> BRW5 | <input type="checkbox"/> BRC5 |
| <input type="checkbox"/> BRT6 | <input type="checkbox"/> BRW6 | <input type="checkbox"/> BRC6 |
| <input type="checkbox"/> BRT7 | <input type="checkbox"/> BRW7 | <input type="checkbox"/> BRC7 |
| <input type="checkbox"/> BRT8 | <input type="checkbox"/> BRW8 | <input type="checkbox"/> BRC8 |

### All racks:

- Posts are numbered in 1" (25mm) increments to allow for adjustable shelf height.
- All components are chrome plated.
- Patented QuadTruss® design (patent #5,390,803) makes shelves up to 25% stronger.
- Tapered split sleeves made of high-temperature-resistant ABS plastic.
- 26" (660mm) robs & tabs snap onto shelves without the use of tools.
- Mounting hardware necessary.

### Table Mounted Racks\*:

- 54" (1372mm) posts.
- 3-sided truss frame.
- Wire shelf.
- Leg/gusset clamp brackets, included, allow for overself legs to attach to table legs.

### Wall Mounted Racks\*:

- 33" (838mm) posts.
- Wire shelves.
- Shelf brackets.

### Ceiling Mounted Racks\*:

- 45" (1143mm) posts with 3/8-16 nut welded on top.
- Wire shelves.

### Options / Accessories

- Shelf dividers

\* Quantity of components (i.e. shelves, posts, etc.) depends on length of boat rack. See back page for quantities noted.



EG10.22 Rev. 07/10

Spec sheets available for viewing, printing or downloading from our online literature library at [www.eaglegrp.com](http://www.eaglegrp.com)

Eagle Foodservice Equipment, Eagle MHC, SpecFAB®, and Retail Display are divisions of Eagle Group. ©2010 by the Eagle Group

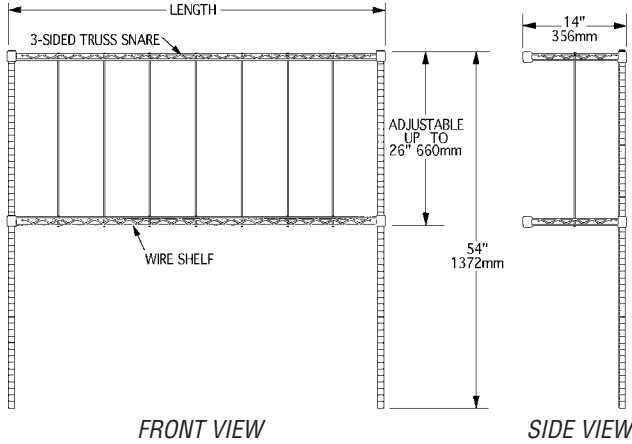


Profit from the Eagle Advantage®

Item No.: \_\_\_\_\_  
 Project No.: \_\_\_\_\_  
 S.I.S. No.: \_\_\_\_\_

# Boats Racks

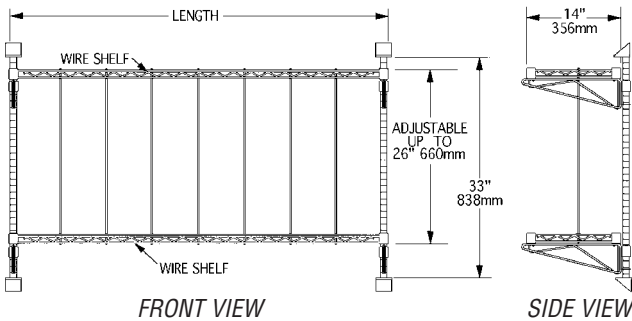
## Table Mounted



model #	weight		width		length	
	lbs.	kg	in.	mm	in.	mm
<b>BRT4 *</b>	45	20.4	14"	356	48"	1219
<b>BRT5 *</b>	55	24.9	14"	356	60"	1524
<b>BRT6 *</b>	65	29.5	14"	356	72"	1829
<b>BRT7 **</b>	75	34.0	14"	356	84"	2134
<b>BRT8 **</b>	85	38.6	14"	356	96"	2438

\* 48"-72" (1219-1829mm) lengths include two posts, one 3-sided truss frame, and one wire shelf.  
 \*\* 84"-96" (2134-2438mm) lengths include three posts, two 3-sided truss frames, and two wire shelves with S-hooks.

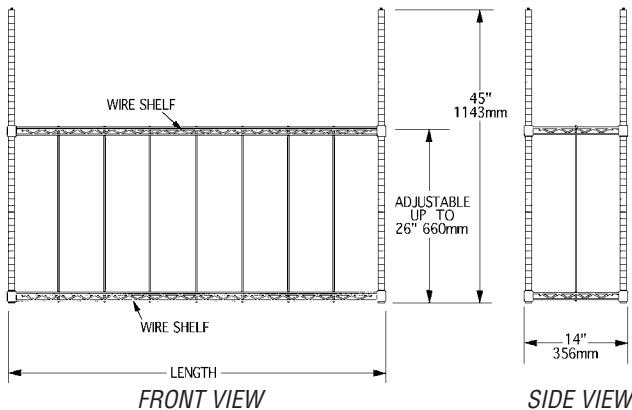
## Wall Mounted



model #	weight		width		length	
	lbs.	kg	in.	mm	in.	mm
<b>BRW4 *</b>	40	18.1	14"	356	48"	1219
<b>BRW5 *</b>	50	22.7	14"	356	60"	1524
<b>BRW6 *</b>	60	27.2	14"	356	72"	1829
<b>BRW7 **</b>	78	35.4	14"	356	84"	2134
<b>BRW8 **</b>	80	36.3	14"	356	96"	2438

\* 48"-72" (1219-1829mm) lengths include two posts, four shelf brackets, and two wire shelves.  
 \*\* 84"-96" (2134-2438mm) lengths include three posts, six shelf brackets, and four wire shelves with S-hooks.

## Ceiling Mounted



model #	weight		width		length	
	lbs.	kg	in.	mm	in.	mm
<b>BRC4 *</b>	40	18.1	14"	356	48"	1219
<b>BRC5 *</b>	50	22.7	14"	356	60"	1524
<b>BRC6 *</b>	60	27.2	14"	356	72"	1829
<b>BRC7 **</b>	78	35.4	14"	356	84"	2134
<b>BRC8 **</b>	80	36.3	14"	356	96"	2438

\* 48"-72" (1219-1829mm) lengths include four posts and two wire shelves.  
 \*\* 84"-96" (2134-2438mm) lengths include six posts and four wire shelves with S-hooks.

**EAGLE GROUP**  
 100 Industrial Boulevard, Clayton, DE 19938-8903 USA  
 Phone: 302-653-3000 • Fax: 302-653-2065  
 www.eaglegrp.com

Foodservice Division: Phone 800-441-8440  
 MHC/Retail Display Divisions: Phone 800-637-5100

Printed in U.S.A.  
 ©2010 by Eagle Group

Rev. 07/10

Spec sheets available for viewing, printing or downloading from our online literature library at [www.eaglegrp.com](http://www.eaglegrp.com)

Although every attempt has been made to ensure the accuracy of the information provided, we cannot be held responsible for typographical or printing errors. Information and specifications are subject to change without notice. Please confirm at time of order.